

ELECTRO-OPTICAL CHARACTERISTICS  $T_A=25^{\circ}\text{C}$   $I_f=20\text{mA}$

PARAMETER	COLOR	MIN	TYP	MAX	UNITS	TEST COND
PEAK WAVELENGTH	RED		660		nm	
	GREEN		574		nm	
FORWARD VOLTAGE	(R/G)		1.85/2.1	2.5/2.5	$V_f$	
REVERSE VOLTAGE		5.0			$V_r$	$I_f=100\mu\text{A}$
AXIAL INTENSITY	(R/G)	80/40	200/90		mcd	$I_f=20\text{mA}$
VIEWING ANGLE			120		$2x$ theta	
EMITTED COLOR:	RED/GREEN					
EPOXY LENS FINISH:	WATER CLEAR					

LIMITS OF SAFE OPERATION AT 25°C

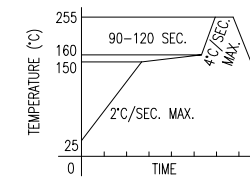
PARAMETER	COLORS	MAX	UNITS
PEAK FORWARD CURRENT*	(R/G)	155/150	mA
STEADY CURRENT		30	mA
POWER DISSIPATION		75	mW
DERATE FROM 25°C		1.2	mA
OPERATING, TEMP.		-40 TO +85	°C
STORAGE TEMP.		-40 TO +85	°C

\*  $t < 10\mu\text{s}$

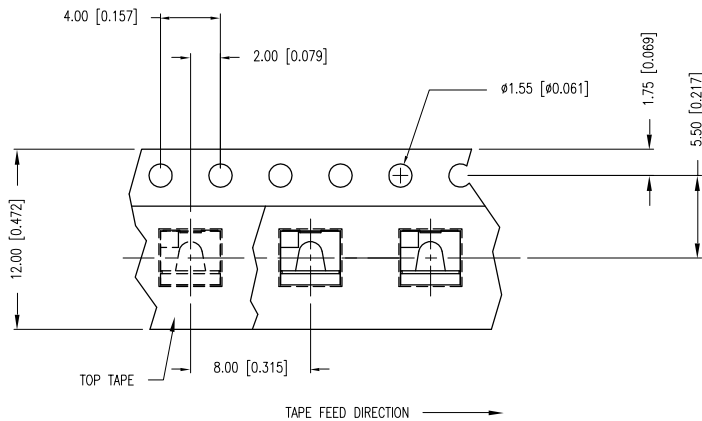
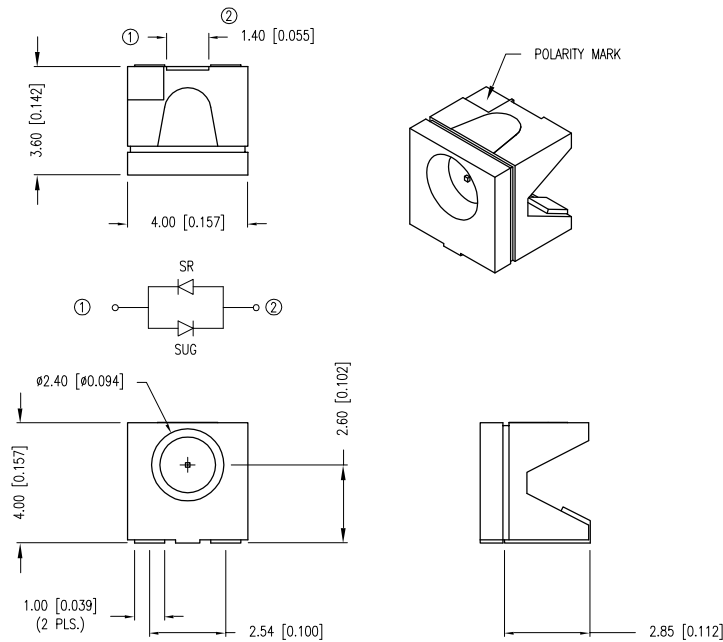
NOTES:

- 500 PIECES PER REEL.
- THE POLARITY MARK IS ORIENTED TOWARDS THE TAPE SPROCKET HOLE.
- MSL LEVEL 3

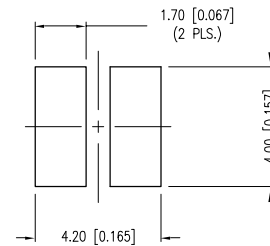
LEAD FREE REFLOW PROFILE  
10 SEC. MAX.



TOTAL TIME ABOVE 220°C IS 60 SECONDS MAX.



RECOMMENDED SOLDER PAD LAYOUT



\*UNLESS OTHERWISE SPECIFIED TOLERANCES PER DECIMAL PRECISION ARE: X=±1 (±0.039), XX=±0.5 (±0.020), XXX=±0.25 (±0.010), XXXX=±0.127 (±0.005). LEAD SIZE=±0.05 (±0.002), LEAD LENGTH=±0.75 (±0.030). MIN.= +DECIMAL PRECISION -0.00, MAX.= +0.00 -DECIMAL PRECISION UNCONTROLLED DOCUMENT



290 E. HELEN ROAD  
PALATINE, IL 60067-6976  
PHONE: +1.847.359.2790  
FAX: +1.847.359.6538  
WEB: WWW.LUMEX.COM

RIGHT ANGLE SURFACE MOUNT LED, 660nm SUPER RED LED, 574nm SUPER GREEN LED, WATER CLEAR LENS.

\*\*THE SPECIFICATIONS MAY CHANGE AT ANY TIME WITHOUT NOTICE DUE TO NEW MATERIALS OR PRODUCT IMPROVEMENT.\*\*

CONFIDENTIAL INFORMATION  
THE INFORMATION CONTAINED IN THIS DOCUMENT IS THE PROPERTY OF LUMEX INC. EXCEPT AS SPECIFICALLY AUTHORIZED IN WRITING BY LUMEX INC., THE HOLDER OF THIS DOCUMENT SHALL KEEP ALL INFORMATION CONTAINED HEREIN CONFIDENTIAL AND SHALL PROTECT SAME IN WHOLE OR IN PART FROM DISCLOSURE AND DISSEMINATION TO ALL THIRD PARTIES.

DATE:	07.27.10	DRAWN BY:	AB
PAGE:	1 OF 1	CHKD BY:	YA
SCALE:	N/A	APRVD BY:	-
UNIT:	mm [INCH]		