

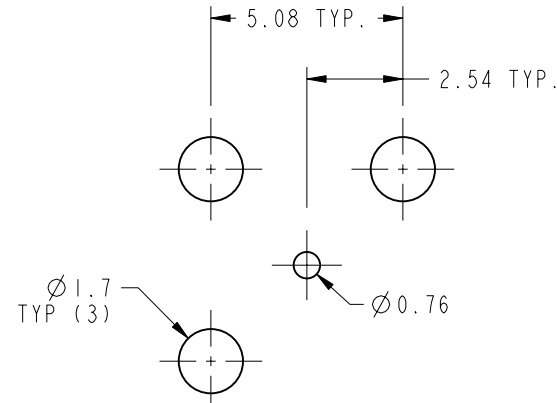
NOTES:

1. MATERIALS AND FINISHES:
 BODY - BRASS, GOLD PLATING.
 CONTACT - BeCu, GOLD PLATING.
 INSULATOR - PTFE, NATURAL
2. ELECTRICAL:
 A. IMPEDANCE: 75 OHM
 B. FREQUENCY RANGE: DC -4.5 GHz
 C. DIELECTRIC WITHSTANDING VOLTAGE: 1000 VRMS, MIN.
 D. INSULATION RESISTANCE: 10,000 MEGOHMS MIN
 E. VOLTAGE RATING: 335 VRMS
3. MECHANICAL:
 A. DURABILITY: 500 CYCLES MIN.
4. ENVIRONMENTAL:
 A. THERMAL SHOCK PER MIL-STD-202 METHOD 107
 TEST CONDITION B (EXCEPT HIGH TEMP @200°C)
 B. VIBRATION: MIL-STD-202 METHOD 204 TEST CONDITION B
 C. SHOCK: MIL-STD-202 METHOD 213 TEST CONDITION B
 D. CORROSION: MIL-STD-202 METHOD 101
 TEST CONDITION B 5% SALT SOLUTION
5. PACKAGING:
 A. QUANTITY: SINGLE PACK
 B. MARKING: BAG TO BE MARKED:
 "AMPHENOLRF, 34-1032 DATE CODE"

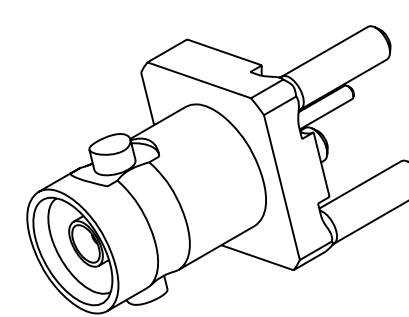
THIRD ANGLE PROJ.

REVISIONS

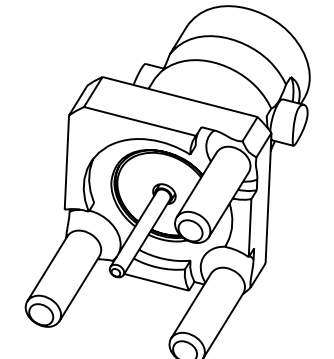
REV	DESCRIPTION	DATE	ECO	APPR
A	RELEASE TO MFG.	28-Jun-10	48146	TD



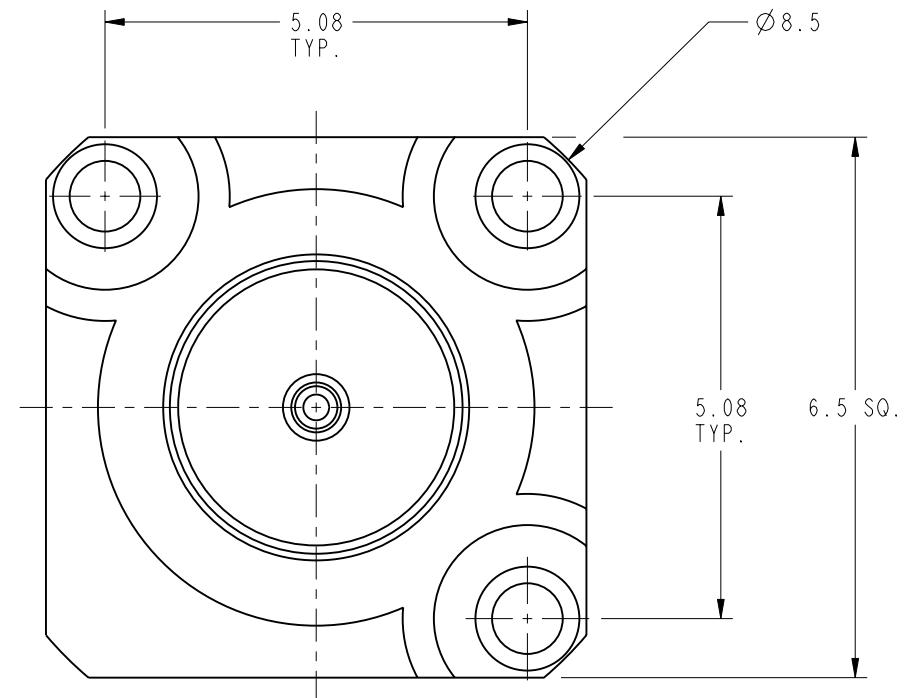
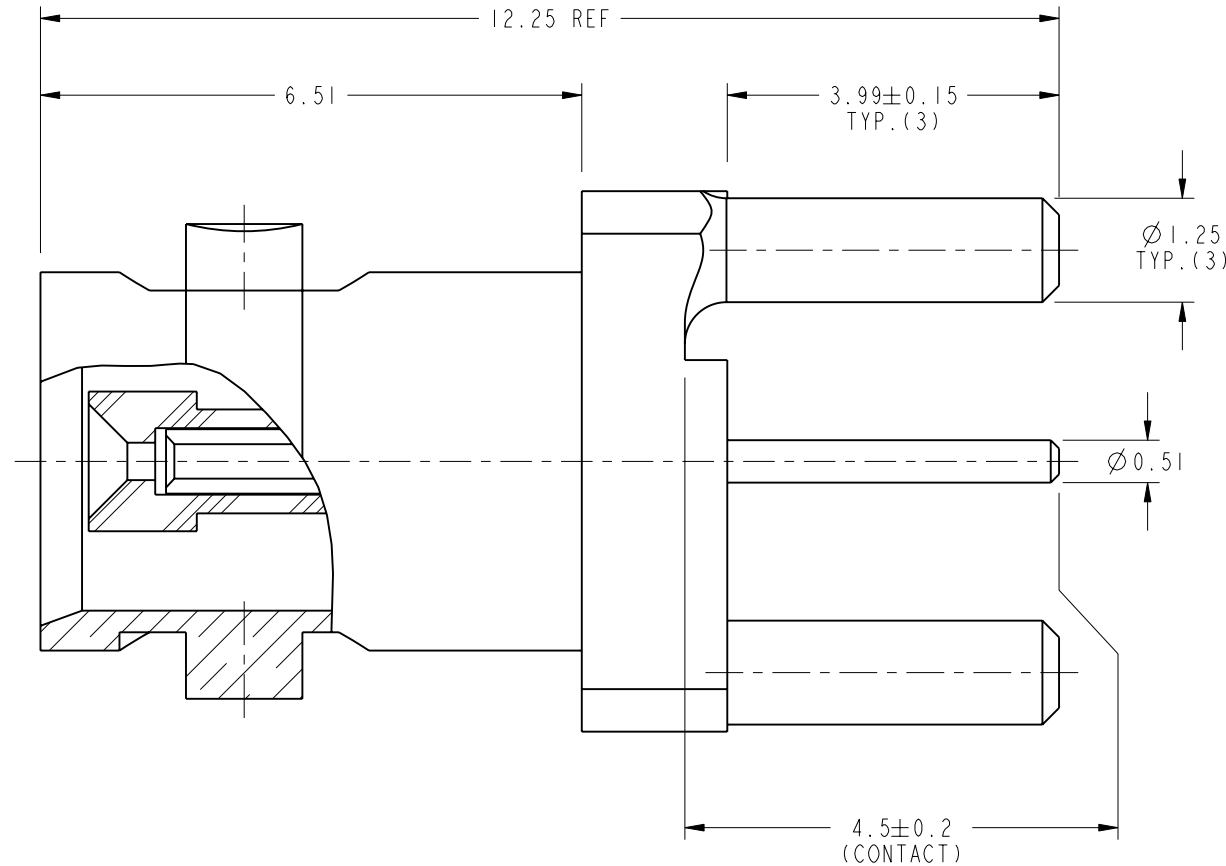
SCALE 5.000
RECOMMENDED PCB MOUNTING
HOLES DIMENSIONS



SCALE 4.000



SCALE 4.000



CUSTOMER OUTLINE DRAWING

ALL OTHER SHEETS ARE FOR INTERNAL USE ONLY

UNLESS OTHERWISE SPECIFIED, DIMENSIONS ARE IN METRIC AND TOLERANCES ARE:
 <0.5mm ±0.05mm 0.5 - 6mm ±0.1mm 6 - 30mm ±0.2mm 30 - 120mm ±0.3mm ANGLES ±1°

NOTICE - These drawings, specifications, or other data (1) are, and remain the property of Amphenol corp. (2) must be returned upon request; and (3) are confidential and not to be disclosed to any person other than those to whom they are given by Amphenol Corp. the furnishing of these drawings, specifications, or other data by Amphenol Corp., or to any other person to anyone for any purpose is not to be regarded by implication or otherwise in any manner licensing, granting rights to permitting such holder or any other person to manufacture, use or sell any product, process or design, patented or otherwise, that may in any way be related to or disclosed by said drawings, specifications, or other data.

MATERIAL	DRAWN T. DENG	DATE 28-Jun-10	TITLE HD-BNC, STR JACK PCB THROUGH HOLE 3 LEGS RECEPTACLE	Amphenol RF Danbury CT USA, Tainan, Taiwan, Shenzhen, China www.amphenolrf.com
REFERENCE EAR #3965	ENGINEER PADMANABHAN E	DATE 10-Mar-10		
CONFIGURATION LEVEL: Prototype	APPROVED S. HSIEH	DATE 28-Jun-10	SCALE: 11.0:1.0 SHEET 2 OF 4	DRAWING NO. 34-1032
FINISH	Root Folder/HD-BNC/34-1032		DWG SIZE B	REV A
				ITEM NO. 34-1032
				PART NO. 34-1032

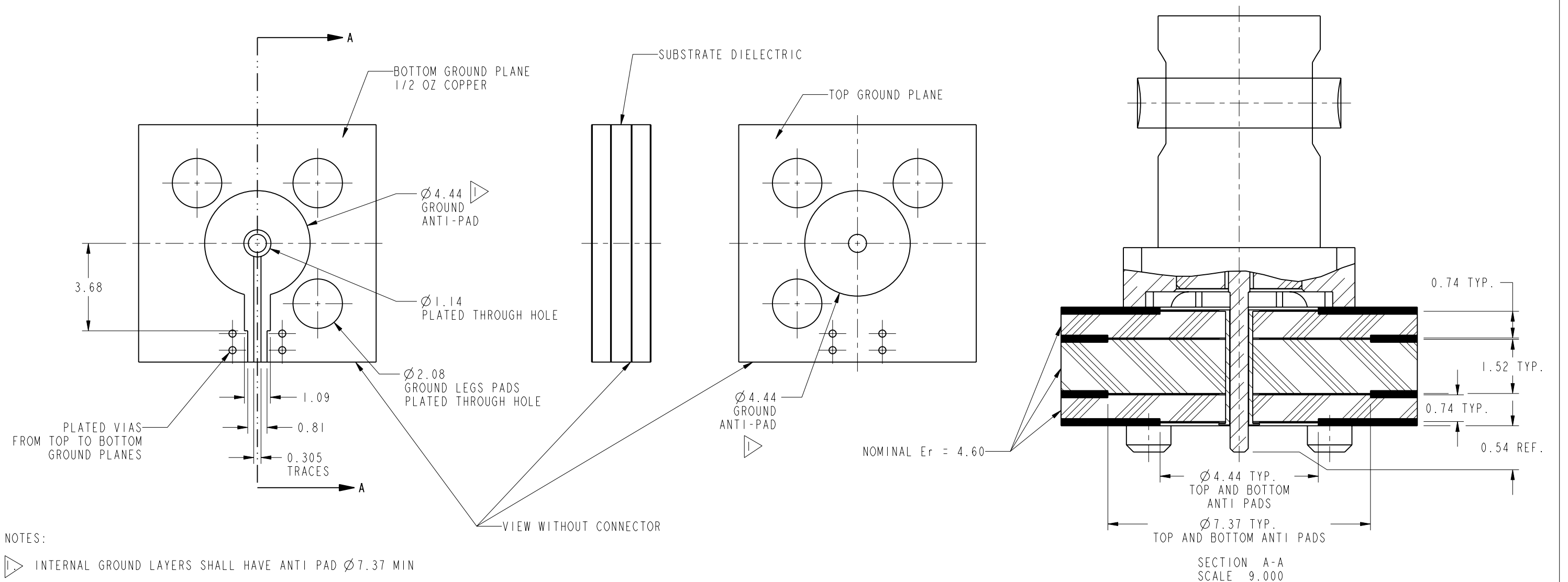
THIRD ANGLE PROJ.

REVISIONS

REV	DESCRIPTION	DATE	ECO	APPR
A	RELEASE TO MFG.	28-Jun-10	48146	TD

RECOMMENDED PCB LAUNCH FOR OPTIMAL RF PERFORMANCE

VARIATIONS IN BOARD SUBSTRATE AND TRACE MAY REQUIRE DIFFERENT GEOMETRY



NOTES:

INTERNAL GROUND LAYERS SHALL HAVE ANTI PAD ϕ 7.37 MIN

UNLESS OTHERWISE SPECIFIED, DIMENSIONS ARE IN METRIC AND TOLERANCES ARE: < 0.5mm ± 0.05mm 0.5 - 6mm ± 0.1mm 6 - 30mm ± 0.2mm 30 - 120mm ± 0.3mm ANGLES ± 1°
NOTICE - These drawings, specifications, or other data (1) are, and remain the property of Amphenol corp. (2) must be returned upon request; and (3) are confidential and not to be disclosed to any person other than those to whom they are given by Amphenol Corp. the furnishing of these drawings, specifications, or other data by Amphenol Corp., or to any other person for any purpose is not to be regarded by implication or otherwise in any manner licensing, granting rights to permitting such holder or any other person to manufacture, use or sell any product, process or design, patented or otherwise, that may in any way be related to or disclosed by said drawings, specifications, or other data.

MATERIAL --	DRAWN T. DENG	DATE 28-Jun-10
REFERENCE EAR #3965	ENGINEER PADMANABHAN E	DATE 10-Mar-10
CONFIGURATION LEVEL: Prototype	APPROVED S. HSIEH	DATE 28-Jun-10
FINISH	CAD FILE Root Folder/HD-BNC/34-1032	

TITLE HD-BNC, STR JACK PCB THROUGH HOLE 3 LEGS RECEPTACLE
SCALE: 1.0:1.0
SHEET 3 OF 4
DWG SIZE B
REV A

Amphenol RF Danbury CT USA, Tainan, Taiwan, Shenzhen, China www.amphenolrf.com
DRAWING NO. 34-1032
ITEM NO. 34-1032
PART NO. 34-1032

