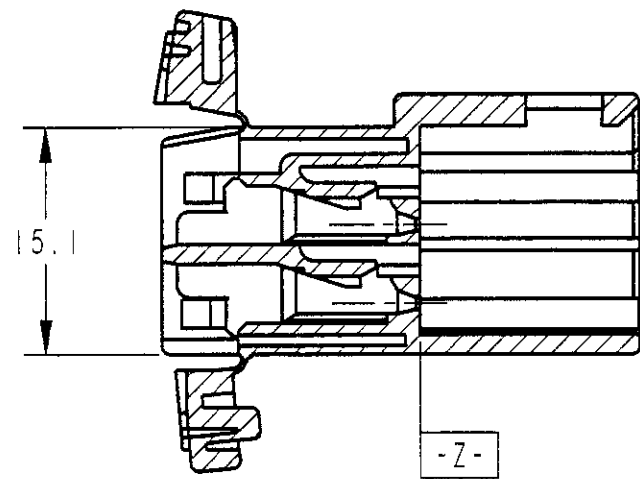
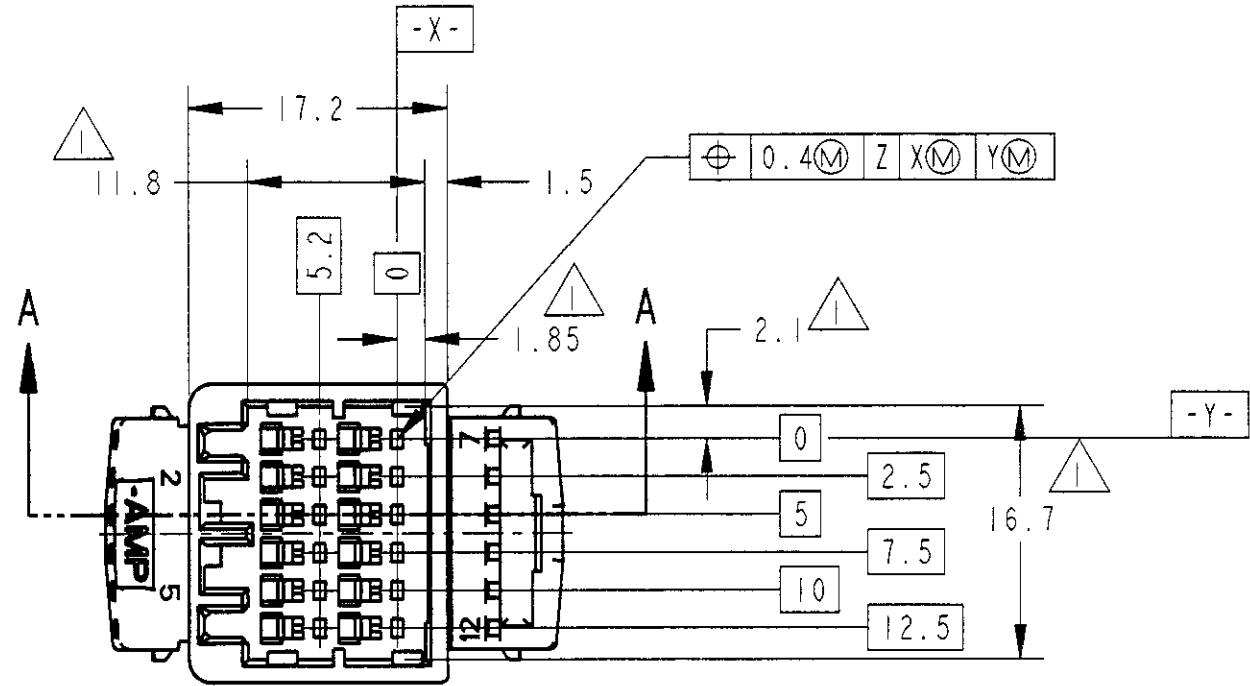
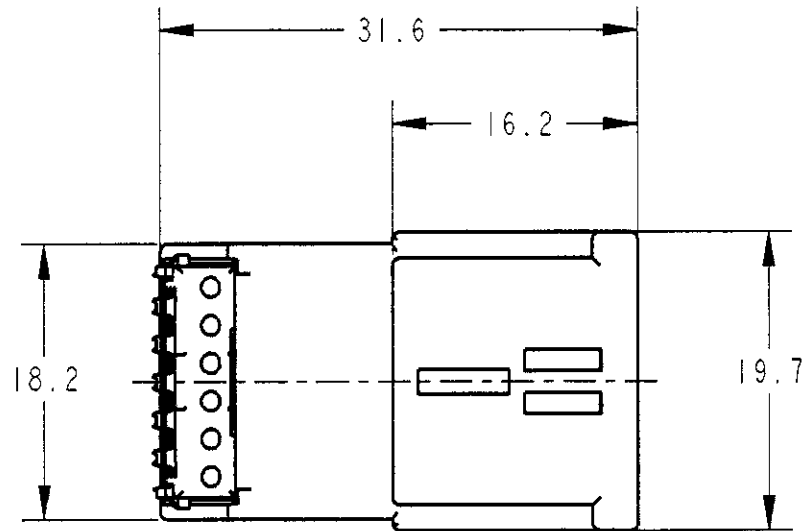


LOC	DIST	REVISIONS						
		P	LTR	DESCRIPTION	ECN	DATE	DWN	APVD
J	-	0		RELEASED	FJ00-0222-00	07JUN00	K.S	K.O



- △ -Z- 面から2mmの範囲で規定。
- 2. 相手ハウジングと支障なく嵌合できること。  
嵌合相手型番 ; 175961
- 3. 適用端子型番 ; 173682

- △ MUST BE KEPT BETWEEN -Z- AND 2mm.
- 2. MATING WITH PLUG HOUSING SMOOTHLY.  
PLUG HOUSING PART NUMBER ; 175961
- 3. APPLICABLE CONTACT PART NUMBER ; 173682

BLACK	1123882-2
COLOR	PART NUMBER

THIS DRAWING IS A CONTROLLED DOCUMENT FOR AMP INCORPORATED. IT IS SUBJECT TO CHANGE AND THE CONTROLLING ENGINEERING ORGANIZATION SHOULD BE CONTACTED FOR THE LATEST REVISION.		DWN K. SHIGA 07JUN00	<b>AMP</b> Tyco Electronics AMP K.K. Kawasaki, Japan
DIMENSIONS: 単位: 概 mm		CHK Y. FUJIWARA 07JUN00	
TOLERANCES UNLESS OTHERWISE SPECIFIED: 一般公差 = ± 0.5		APVD K. ODA 07JUN00	NAME 名称 12 POSITION CAP HOUSING (WIRE TO WIRE) 040 SERIES MULTI-LOCK I/O CONNECTOR MK-II
0-PLC ± 1-PLC ±0.1 2-PLC ±0.01 3-PLC ±0.001 4-PLC ±0.0001 ANGLES ±3		PRODUCT SPEC 製品規格 108-5471	SIZE A3
MATERIAL 材料 PBT		APPLICATION SPEC 取付適用規格 114-5108	CAGE CODE 番号 00779
FINISH 仕上 -		WEIGHT 5.8g	DRAWING NO C=1123882
		CUSTOMER DRAWING	SCALE 尺度 2:1
			SHEET 1 OF REV 0