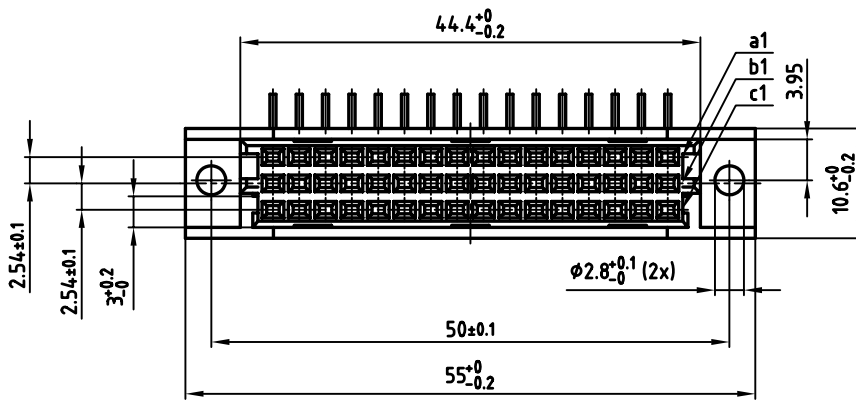
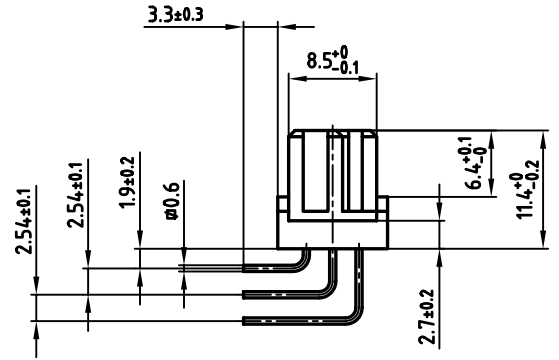
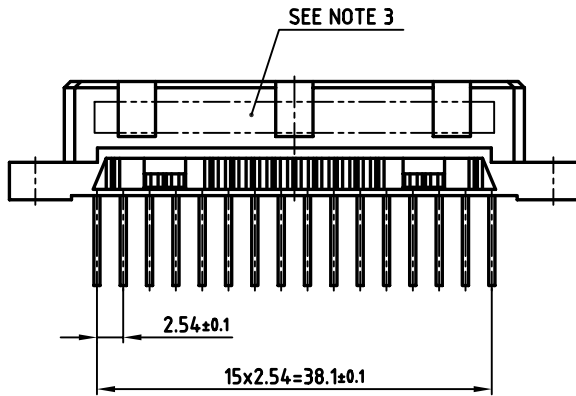


used for: DIN EN 60603-2 TYPE "C1/2"

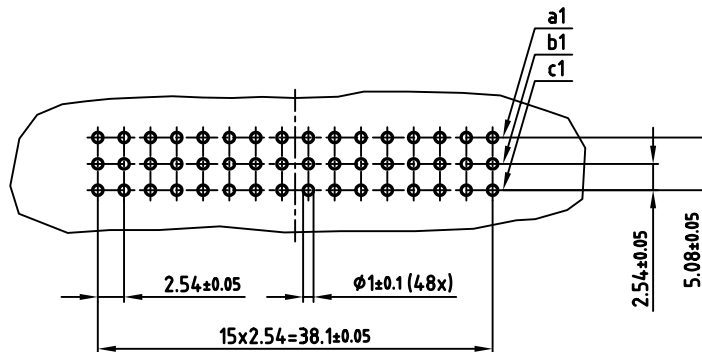


NOTES:

1. INSULATORS: PBTP GF UL 94 V-0, GREY
2. CONTACTS: COPPER ALLOY
PLATING: GOLD OVER NICKEL
50 MATING CYCLES
3. CONNECTOR IS PART MARKED: 122A10819X CONEC ABC



P.C.B.- HOLE DRILLINGS



APPROVAL # FREIGABE # DEBLOCAGE # AUTORIZACION # APPROVAL

CUSTOMER APPROVAL DATE:

NAME: TITLE:

COMPANY NAME:

APPROVAL # FREIGABE # DEBLOCAGE # AUTORIZACION # APPROVAL

THIS DRAWING MAY NOT BE COPIED OR REPRODUCED IN ANY WAY, AND MAY NOT BE PASSED ON TO A THIRD PARTY, WITHOUT WRITTEN PERMISSION. OWNERSHIP AND COPYRIGHT OF CONEC GmbH DO NOT ALTER CAD DRAWING BY HAND

rev.	description	date	name
a	Origin		

tolerance	
scale:	2:1
material:	SEE NOTES
drawn	23.05. Lehmenkühler
appd.	23.05. Koch
norm	DIN EN 60603-2
d-old	
CONEC	

title: FEMALE CONNECTOR TYPE "C1/2"
48pos. ANGLED

dwg no: AutoCAD 2006 DIN-A
12K1A467 3
sh: 1/1

part no: 122A10819X