

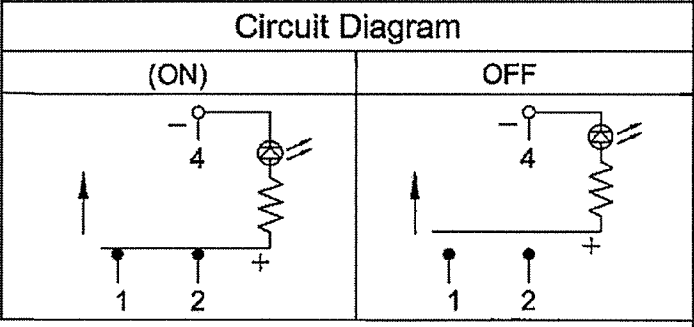
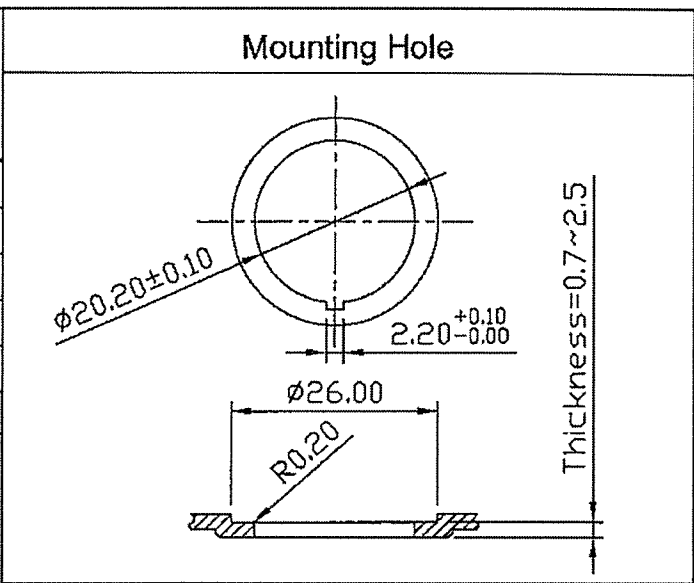
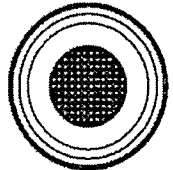
THIS INFORMATION IS CONFIDENTIAL AND PROPRIETARY TO CW INDUSTRIES INCORPORATED AND ITS AFFILIATES. IT MAY NOT BE DISCLOSED TO ANYONE, OTHER THAN CW INDUSTRIES PERSONNEL, WITHOUT WRITTEN AUTHORIZATION FROM CW INDUSTRIES INCORPORATED, SOUTHAMPTON, PENNSYLVANIA USA.

Rating	10A 125V, 6A 250V AC 1/2 HP 125 / 250V AC	
Configured for	20A 14VDC	
Contact Resistance	50m ohm Max.	
Insulation Resistance	DC 500V 100M ohm Min.	
Dielectric Strength	AC 1500V 1 minute	
Operation Temperature	-25° C ~ 85° C	
Switch Function	3P SPST (ON) - OFF Lamp dependent	
Lamp Type	LED 12VDC 14V w/resistor	

() = Momentary Function

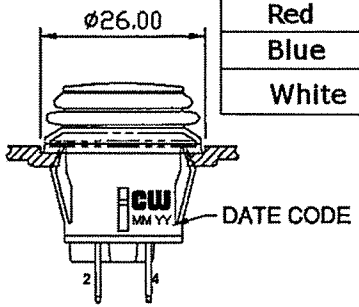
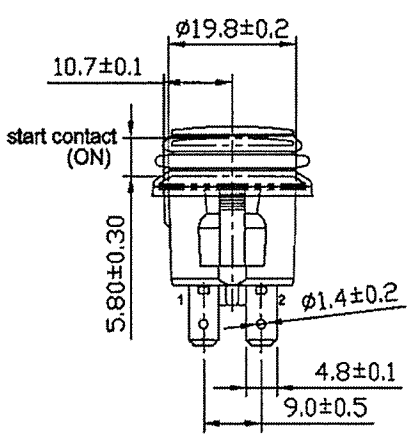
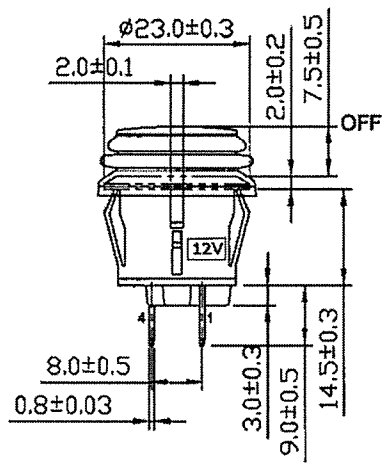
MATERIAL:

- Frame: Black, Nylon 66 (94-V2)
- Actuator: PC Clear (94-V2), For Color Ref. "X" in Actuator/LED Color Chart and CW P/N.
- LED: For Color Ref. "X" in Actuator/LED Color Chart and CW P/N.
- Terminals: Silver plated, Copper alloy
- Waterproof Rubber: Black, Silicone
- Printed: None
- Waterproof: IP65

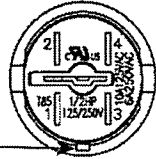


Full travel: 4.5mm

ACTUATOR/LED COLOR	X
Amber	A
Green	G
Red	R
Blue	U
White	W



Orientation Key



RoHS Compliant

 Southampton, Pa. 18966 Tel 215.355.7080/www.cwind.com	Date Drawn: 6/27/2012	Rev. 0	Unit: mm	Checked By: <i>G. GULD</i>
	Title: PUSH BUTTON SWITCH		CW P/N: GPB527C2B02BX1	