

GreenTech EC tubeaxial fans

Ø 119 x 38 mm



Material: Housing: GRP⁽¹⁾ (PBT)
Impeller: GRP⁽¹⁾ (PA)

Direction of air flow: Exhaust over struts

Direction of rotation: Clockwise, looking towards rotor

Connection: with 2 flat pins 2.8 x 0.5 (not with IP65) optional flying leads

Highlights: Fully integrated converter and fan electronics. ACI4400 models are universally usable for all main voltages between 90 and 264 VAC. Compact design and lightweight.

Weight: 275 g

Possible special versions:

- Speed signal
- PWM speed control
- Analog speed control
- Moisture protection
- Salt spray protection
- Degree of protection: IP 65
- Compliance for use in systems with flammable refrigerant charge up to 150 g

(1) Fiberglass-reinforced plastic

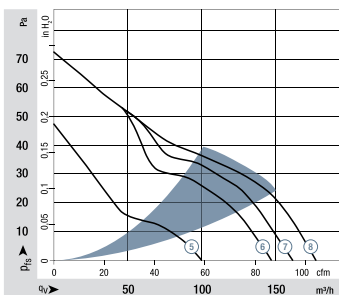
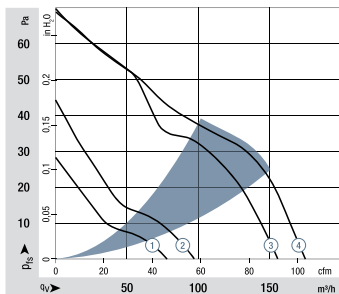
Nominal Data	Air flow		Nominal voltage	Frequency	Voltage range	Sound pressure level	Sound power level	Sinter sleeve bearings Ball bearings	Power consumption	Nominal speed	Temperature range	Service life L ₁₀ (40 °C) ebm-papst standard	Service life L ₁₀ (T _{max}) ebm-papst standard	Life expectancy L ₁₀ FC (40 °C)	Curve
	m ³ /h	cfm													
ACI4400L	78	46	100...240	50 / 60	90...264	23	3.7	■	1.1	1,500	-40...+75	65,000 / 25,000	110,000	110,000	①
ACI4400MLR***	100	59	100...240	50 / 60	90...264	25	4.1	■	1.7	1,850	-40...+75	65,000 / 25,000	110,000	110,000	②
ACI4400H	160	94	100...240	50 / 60	90...264	39	5.2	■	3.8	3,000	-40...+75	65,000 / 25,000	110,000	110,000	③
ACI4400HH	175	103	100...240	50 / 60	90...264	43	5.5	■	4.4	3,300	-40...+75	65,000 / 25,000	110,000	110,000	④
ACI4400HHAU*	175	103	100...240	50 / 60	90...264	43	5.5	■	4.5	3,300	-40...+75	65,000 / 25,000	110,000	110,000	⑧
ACI4400/2HHP**	175	103	100...240	50 / 60	90...264	43	5.5	■	4.5	3,300	-40...+75	65,000 / 25,000	110,000	110,000	⑧
ACI4420ML	100	59	230	50 / 60	195...265	25	4.1	■	1.7	1,850	-40...+75	65,000 / 25,000	110,000	110,000	⑤
ACI4420N	147	86	230	50 / 60	195...265	36	4.9	■	2.8	2,700	-40...+75	65,000 / 25,000	110,000	110,000	⑥
ACI4420H	160	94	230	50 / 60	195...265	39	5.1	■	3.2	3,000	-40...+75	65,000 / 25,000	110,000	110,000	⑦
ACI4420HH	175	103	230	50 / 60	195...265	43	5.5	■	4.4	3,300	-40...+75	65,000 / 25,000	110,000	110,000	⑧
ACI4410HH	175	103	115	50 / 60	85...132	43	5.5	■	4.4	3,300	-40...+75	65,000 / 25,000	110,000	110,000	⑧

Subject to change

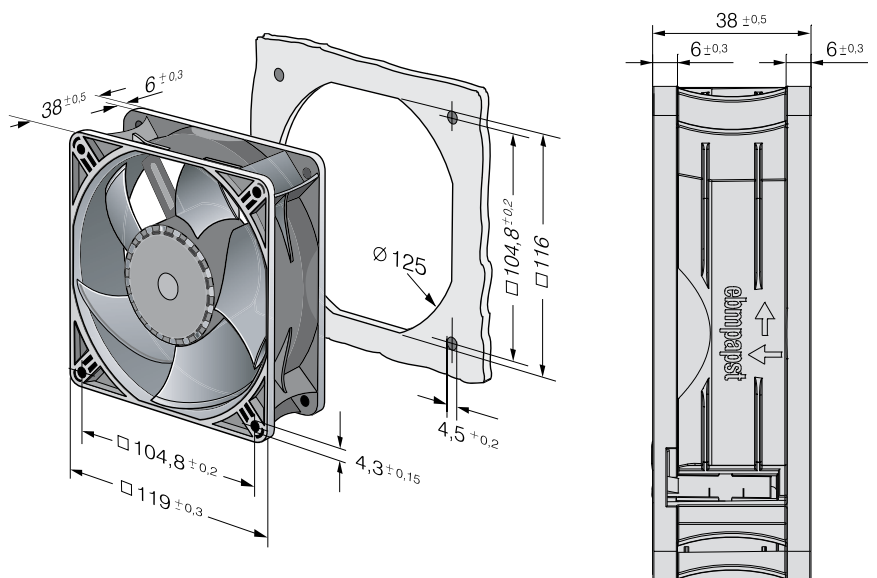
* analog (5-10 VDC) speed control input, IP 65

** PWM speed control input and 2ppr, open collector tach output

*** moisture protection



Air performance measured according to: ISO 5801. Installation category A, without contact protection. Noise: Total sound power level L_{WA} ISO 10302 measured on a hemisphere with a radius of 2 m. Sound pressure level L_{pA} measured at 1 m distance from fan axis. The values given are applicable only under the specified measuring conditions and may differ depending on the installation conditions. In the event of deviation from the standard configuration, the parameters must be checked after installation! For detailed information see <http://www.ebmpapst.com/> general conditions



Rotor protrusion max. 0.6 mm.