

i9 Premium™ LED Area Light



Beyond LED's i9 Area light is an energy-efficient, economical, and reliable product suitable for outdoor applications. It offers high lumens per watt for maximum power savings and rebates from power companies. It can provide consistent lighting with instant start and retains its uniform operation even under wet conditions. It is an ideal solution for all outdoor applications particularly lighting parking areas, loading docks and other general lighting applications.

Product Features

- Operating temperature: -40°C to 45°C
- High efficacy Bridgelux SMD LED
- Die Cast Aluminum housing
- Ultra-thin sleek design
- Integral LED driver, eliminates the need for an external driver or ballast
- Complies with UL safety regulations
- This product is IP65 rated, therefore, it is best suited for outdoor applications
- Up to 132 LM/W efficacy, Energy saving with long lifespan
- Available in White, Bronze, Grey, or Black Housing
- Several brackets
- Heat resistant polycarbonate optical lens
- Environment friendly with no mercury



SKU #	Model #	Housing	Watts	Lumens	CCT	IP	Input Voltage	Dimming	Certifications
153575	BLT-SB03D-150WXYA1-abcdfe	Black	150W	19800LM	5000K	IP65	100-277V	0-10V	UL & DLC
153460	BLT-SB03D-300WXYA1-abcdfe	Black	300W	39600LM	5000K	IP65	100-277V	0-10V	UL & DLC
153576	BLT-SB03D-150WXYA1-abcdfe	Bronze	150W	19800LM	5000K	IP65	100-277V	0-10V	UL & DLC
153461	BLT-SB03D-300WXYA1-abcdfe	Bronze	300W	39600LM	5000K	IP65	100-277V	0-10V	UL & DLC
153503	BLT-SB03D-150WJT3A1-GR10SP50	Grey	150W	19800LM	5000K	IP65	100-277V	0-10V	UL & DLC
153504	BLT-SB03D-300WJT3A1-GR10SP50	Grey	300W	39600LM	5000K	IP65	100-277V	0-10V	UL & DLC
153502	BLT-SB03D-150WXYA1-abcdfe	White	150W	19800LM	5000K	IP65	100-277V	0-10V	UL & DLC
153577	BLT-SB03D-300WXYA1-abcdfe	White	300W	39600LM	5000K	IP65	100-277V	0-10V	UL & DLC
154099	BLT-SB03D-200WXYA1-abcdfe	Black	200W	24400LM	5000K	IP65	100-277V	0-10V	UL & DLC
154197	BLT-SB03D-240WXYA1-abcdfe	Bronze	240W	31680LM	5000K	IP65	100-277V	0-10V	UL & DLC
110786									Optional Photocell
151709		Black							Straight Arm Mount
151710		Bronze							Straight Arm Mount
151711		White							Straight Arm Mount
151712		Black							Yoke Mount
151713		Bronze							Yoke Mount
151714		White							Yoke Mount
151706		Black							Slip Fitter Mount
151707		Bronze							Slip Fitter Mount
151708		White							Slip Fitter Mount
151881		Black							Optional U-Bracket Mount
151882		Bronze							Optional U-Bracket Mount
151883		Black							Optional U-Bracket Mount
151884		Bronze							Optional U-Bracket Mount
151884		Bronze							Optional U-Bracket Mount
153578		Black							Universal Bracket
153579		Bronze							Universal Bracket
155375		Grey							Universal Bracket
153580		White							Universal Bracket



150W Specifications



Parameter	Description	Value
General Performance	Input Wattage	150W
	Color Temperature	5000K
	Lumen	Up to 19800LM
	Lumen Efficacy	Up to 132LM/W
	CRI (Ra)	>70
	Distribution Pattern	Type III (Optional: Type IV and Type V)
	Beam Angle	160 Degree
Electrical	Input Voltage and Frequency	120-277V 50/60Hz
	Dimming	0-10V dimming standard
	PF	≥0.9
	THD	≤20%
	Flicker Percent	<5%
	Driver Brand	Daermay
	Driver Model	MP-150TG-130A
	Driver Surge Protection	L/N-PE: 6kV, L-N: 6kV
Physical	Storage Temperature	-40°C TO 80°C
	Operating Humidity	20% - 90% RH
	Storage Humidity	10% - 90% RH
	LED Brand	Bridgelux
	LED Type	SMD3030
	LEDs QTY	170 PCS
	Housing	Die-cast aluminum
	Housing Color	BLACK / BRONZE / WHITE / GREY
	EPA	1.32ft ²
Qualification	IP Rating	WET (IP65)
	Warranty	5 Years

200W Specifications



Parameter	Description	Value
General Performance	Input Wattage	200W
	Color Temperature	5000K
	Lumen	Up to 24400LM
	Lumen Efficacy	Up to 132LM/W
	CRI (Ra)	>70
	Distribution Pattern	Type III (Optional: Type IV and Type V)
	Beam Angle	160 Degree
Electrical	Input Voltage and Frequency	120-277V 50/60Hz
	Dimming	0-10V dimming standard
	PF	≥0.9
	THD	≤20%
	Flicker Percent	<50%
	Driver Brand	Daermay
	Driver Model	MP-200TG-130A
	Driver Surge Protection	L/N-PE: 6kV, L-N: 6kV
Physical	Storage Temperature	-40°C TO 80°C
	Operating Humidity	20% - 90% RH
	Storage Humidity	10% - 90% RH
	LED Brand	Bridgelux
	LED Type	SMD3030
	LEDs QTY	170 PCS
	Housing	Die-cast aluminum
	Housing Color	Black
	EPA	1.32ft ²
Qualification	IP Rating	WET (IP65)
	Warranty	5 Years

240W Specifications



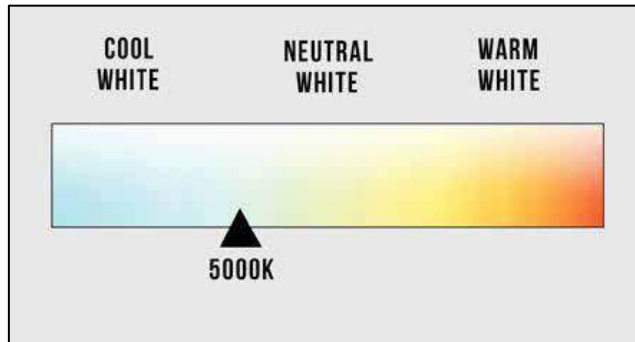
Parameter	Description	Value
General Performance	Input Wattage	240W
	Color Temperature	5000K
	Lumen	Up to 32400LM
	Lumen Efficacy	Up to 135LM/W
	CRI (Ra)	>70
	Distribution Pattern	Type III (Optional: Type IV and Type V)
	Beam Angle	160 Degree
Electrical	Input Voltage and Frequency	120-277V 50/60Hz
	Dimming	0-10V dimming standard
	PF	≥0.9
	THD	≤20%
	Flicker Percent	<50%
	Driver Brand	Daermay
	Driver Model	MP-240TG-130A
	Driver Surge Protection	L/N-PE: 6kV, L-N: 6kV
Physical	Storage Temperature	-40°C TO 80°C
	Operating Humidity	20% - 90% RH
	Storage Humidity	10% - 90% RH
	LED Brand	Bridgelux
	LED Type	SMD3030
	LEDs QTY	280 PCS
	Housing	Die-cast aluminum
	Housing Color	Bronze
	EPA	2.3ft ²
Qualification	IP Rating	WET (IP65)
	Warranty	5 Years

300W Specifications

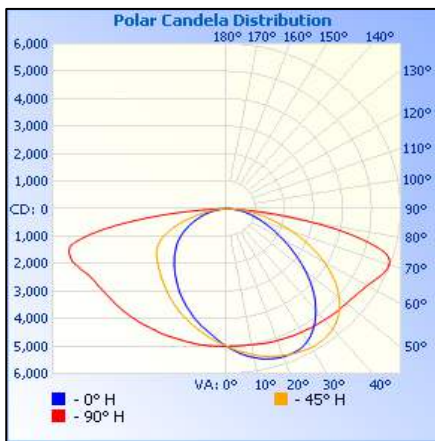


Parameter	Description	Value
General Performance	Input Wattage	300W
	Color Temperature	5000K
	Lumen	Up to 39600LM
	Lumen Efficacy	Up to 132LM/W
	CRI (Ra)	>70
	Distribution Pattern	Type III (Optional: Type IV and Type V)
	Beam Angle	160 Degree
Electrical	Input Voltage and Frequency	100-277V 50/60Hz
	Dimming	0-10V dimming standard
	PF	≥0.9
	THD	≤20%
	Flicker Percent	<5%
	Driver Brand	Daermay
	Driver Model	MP-150TG-130A
	Driver Surge Protection	L/N-PE: 6kV, L-N: 6kV
Physical	Operating Temperature	-40°C TO 45°C
	Storage Temperature	-40°C TO 80°C
	Operating Humidity	20% - 90% RH
	Storage Humidity	10% - 90% RH
	LED Brand	Bridgelux
	LED Type	SMD3030
	LEDs QTY	340 PCS
	Housing	Die-cast aluminum
	Housing Color	BLACK / BRONZE / WHITE / GREY
	EPA	2.3ft ²
Qualification	IP Rating	WET (IP65)
	Warranty	5 Years

Correlated Color Temperature (CCT)



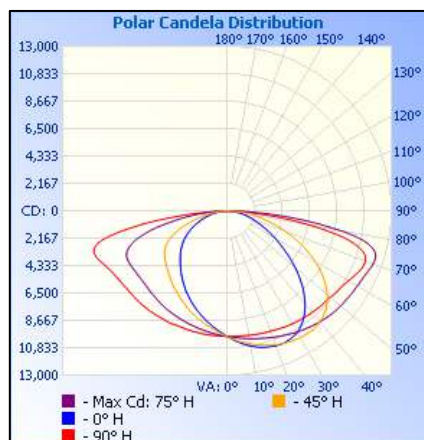
Photometric Data – 150W



	Center Beam fc	Beam Width	
17.0ft	17.3 fc	47.7 ft	229.4 ft
34.0ft	4.33 fc	95.5 ft	458.8 ft
51.0ft	1.93 fc	143.2 ft	688.2 ft
68.0ft	1.08 fc	191.0 ft	917.6 ft
85.0ft	0.69 fc	238.7 ft	1,147.0 ft
102.0ft	0.48 fc	286.4 ft	1,376.4 ft

■ Vert. Spread: 109.1°
■ Horiz. Spread: 163.1°

Photometric Data – 300W

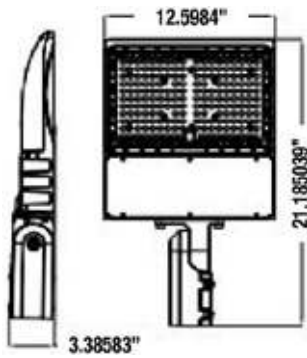


	Center Beam fc	Beam Width	
17.0ft	34.4 fc	52.4 ft	187.0 ft
34.0ft	8.59 fc	104.8 ft	373.9 ft
51.0ft	3.82 fc	157.2 ft	560.9 ft
68.0ft	2.15 fc	209.5 ft	747.8 ft
85.0ft	1.37 fc	261.9 ft	934.8 ft
102.0ft	0.95 fc	314.3 ft	1,121.7 ft

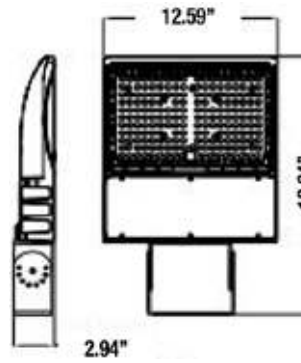
■ Vert. Spread: 114.0°
■ Horiz. Spread: 159.4°

Dimensions

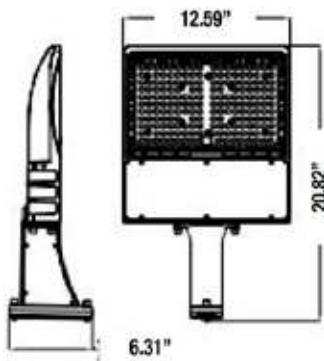
150 Watts



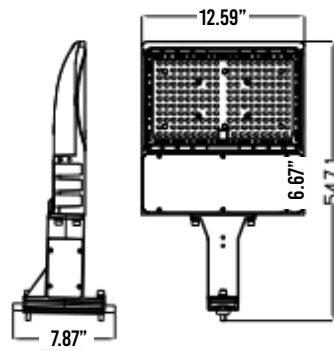
Slip Fitter Mount



Yoke Mount

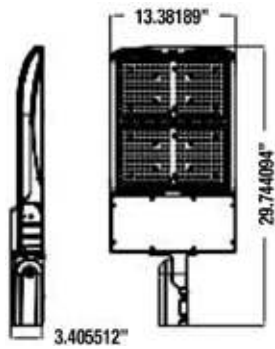


Straight Arm Mount

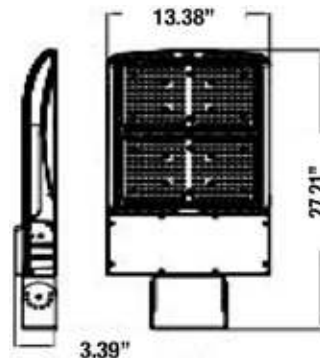


Universal Mount

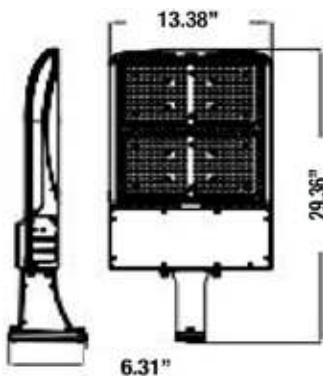
300 Watts



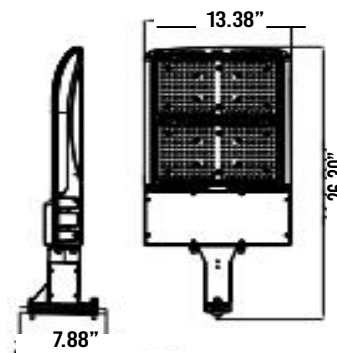
Slip Fitter Mount



Yoke Mount



Straight Arm Mount

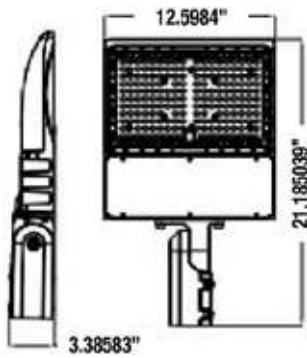


Universal Mount

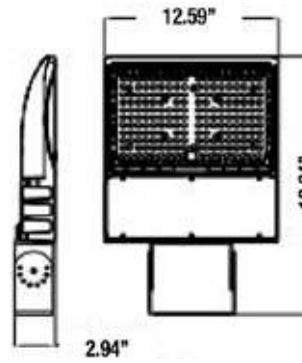


Dimensions

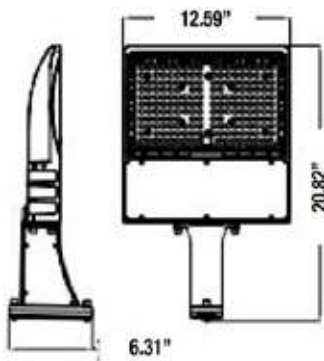
200 Watts



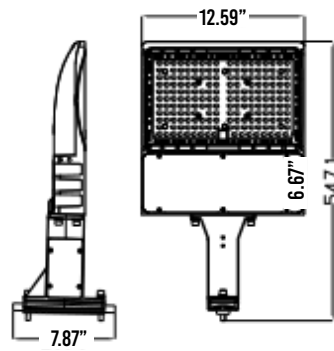
Slip Fitter Mount



Yoke Mount

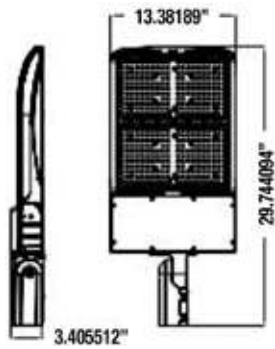


Straight Arm Mount

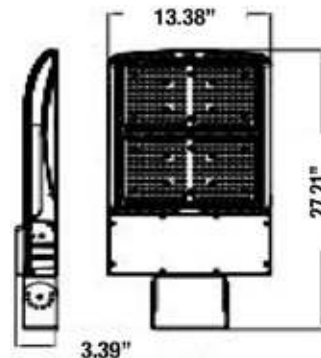


Universal Mount

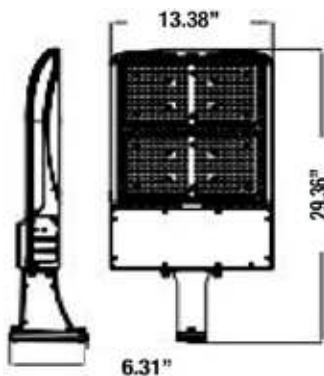
240 Watts



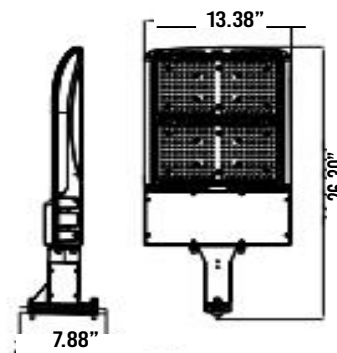
Slip Fitter Mount



Yoke Mount



Straight Arm Mount



Universal Mount



Installation Instructions

1. Slip Fitter Mount

- a. Loosen the 4 locking bolts on the slip fitter, connect the wire correctly and put the wire into pole. Then fasten the locking bolts between slip fitter and the pole (Figure 1-1)
- b. Loosen the fixing bolts and adjusting bolts, align the fixture to required angle. Tighten adjusting bolt and fixing bolts after the angle is confirmed. (Figure 1-1)

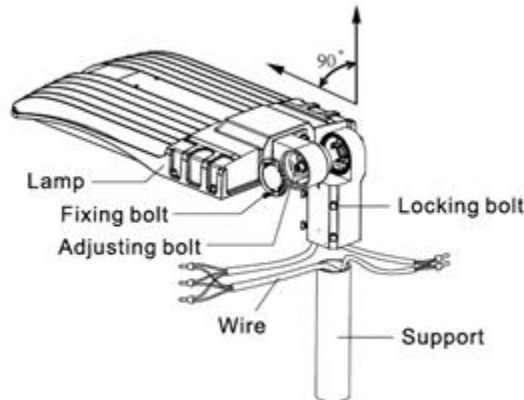


Figure 1-1

2. Yoke Mount

- a. Loosen cap fixing screw and take cap off. Loosen fixing bolt, fixed the fixture on the support and tighten fixing bolts. (Figure 2-1)
- b. Let the AC wire go through the support hole and connected correctly. Close cap and tighten cap fixing screw after AC cable is well placed in the support. (Figure 2-1)
- c. Loosen adjusting screws, align the fixture to required angle and fasten the screws. (Figure 2-1)

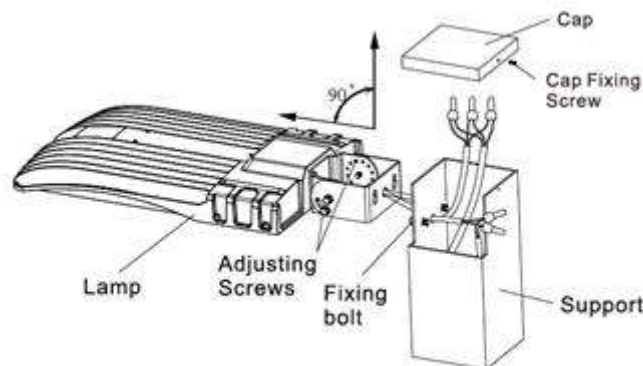


Figure 2-1

3. Straight Arm Mount

- a. Open the side lid of direct bracket, let the power cable go through the direct bracket. Fix the direct bracket to the end of lamp body with bolt. Let the pole cable go through the direct bracket. (Figure 3-1)
- b. Fix the direct bracket to the square pole with bolt. Connect the power cable to the pole cable, make sure good protection on the wire connection, and put the wire in the direct bracket; close the side lid and tighten it, (Figure 3-2) then finish in installation.
- c. Notice: Round pole should be with adaptive plate. (Figure 3-3)

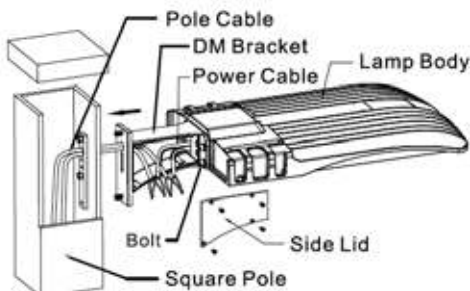


Figure 3-1

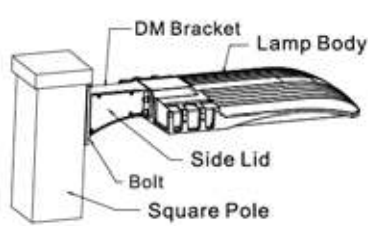


Figure 3-2

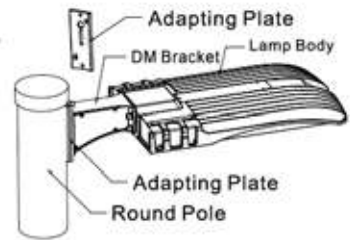


Figure 3-3



Photocell Function

Attention: When the photocell function is required, photocell should be installed on the back of lamp; When it's not required, shorting cap should be installed on the back of lamp (Figure 7-1)

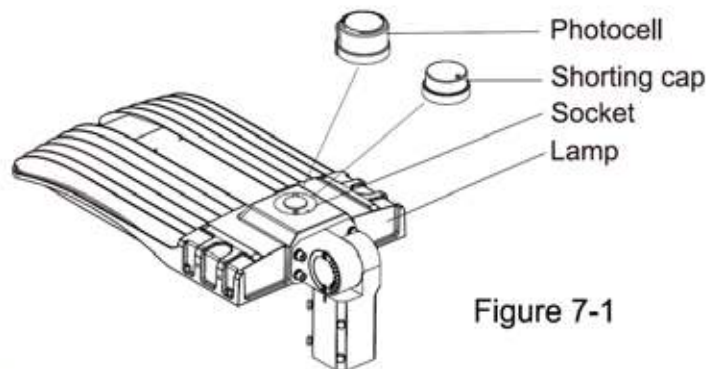


Figure 7-1

Standard wire:

L/live wire: Black\Brown;

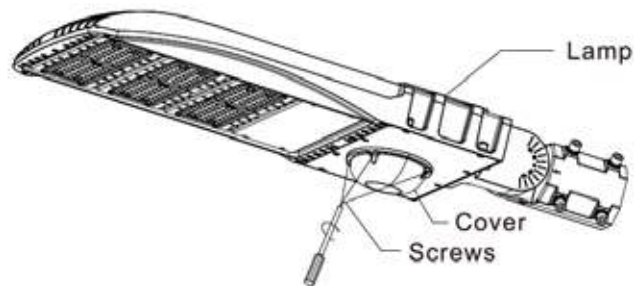
N/null wire: White\Blue;

Ground wire: Green\Yellow-green.

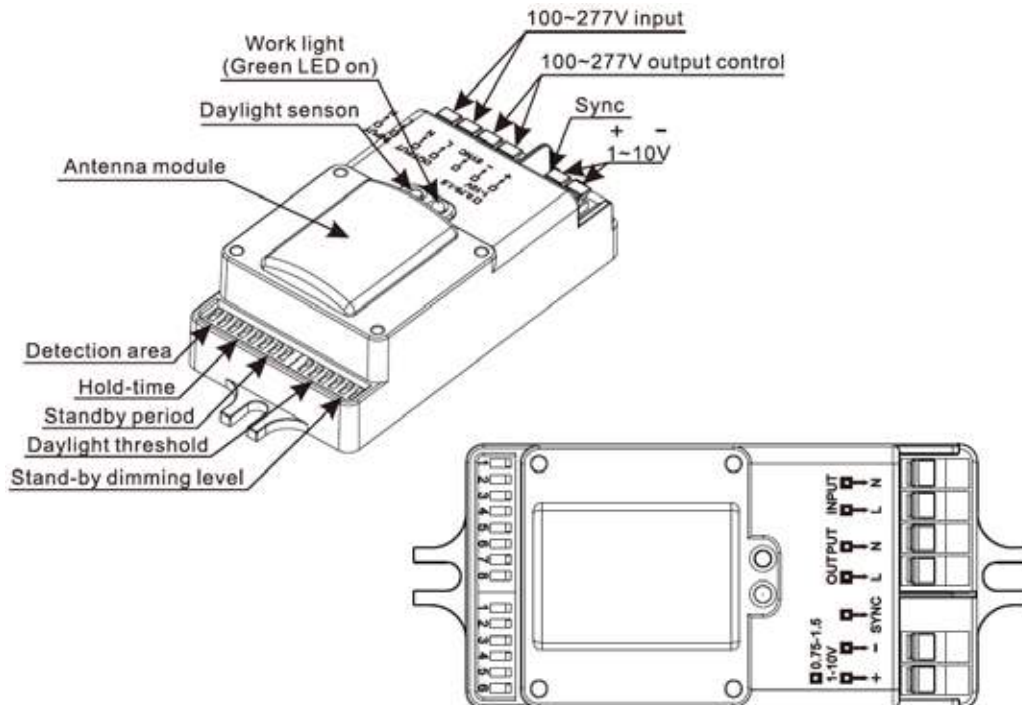
Motion Sensor Function (Optional)

The 185-300w fixture can be equipped with motion sensor, find below instructions for motion sensor:

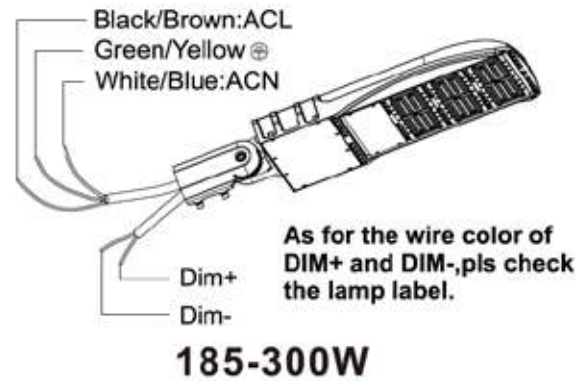
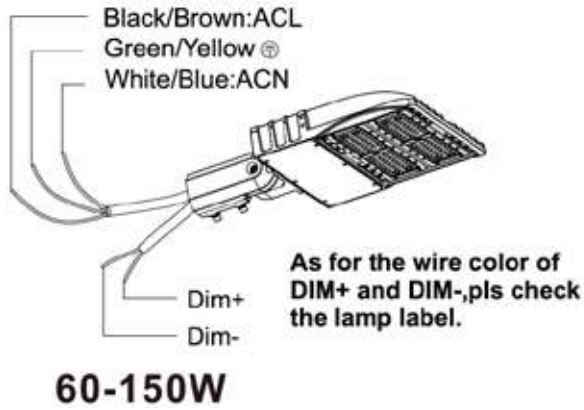
Open the cover above motion sensor by loosen the screws;
Set the motion sensor through DIP switches as per actual requirements;
Lock the cover above the motion sensor through screws.



Structure of Motion Sensor (With Shorting Cap)



Wiring Diagram



Packaging

Bracket Type	Size	Qty/Box
150W Box	23.82 X 14.57 X 6.69 in	1 PCS
300W Box	32.28 X 15.34 X 6.50 in	1 PCS
Slip Fitter Bracket Box	15.55 X 8.66 X 8.86 in	8 PCS
Yoke Bracket Box	14.37 X 11.22 X 6.30 in	8 PCS
Straight Bracket Box	18.31 X 8.46 X 7.28 in	6 PCS

****Tolerance of Carton Size: ±15 MM, Tolerance of Weight: ±10%.**

Application



Safety Precautions

To reduce the risk of death, personal injury or property damage from fire, electric shock, falling parts, cuts/abrasions, and other hazards read all warnings and instructions included with and on the fixture box and all fixture labels. Before installing, servicing, or performing routine maintenance upon this equipment, follow these general precautions. Commercial installation, service and maintenance of luminaires should be performed by a qualified licensed electrician.

For the installation: If you are unsure about the installation or maintenance of the luminaires, consult a qualified licensed electrician and check your local electrical code. To prevent wiring damage or abrasion, do not expose wiring to edges of sheet metal or other sharp objects. Do not make or alter any open holes in an enclosure of wiring or electrical components during kit installation.

WARNING: RISK OF FIRE OR ELECTRICAL SHOCK

Turn off electrical power at fuse or circuit breaker box before wiring fixture to the power supply. Turn off the power when you perform any maintenance. Verify that supply voltage is correct by comparing it with the luminaire label information. Make all electrical and grounded connections in accordance with the National Electrical Code and any applicable local code requirements. All wiring connections should be capped with UL approved wire connectors.

CAUTION: RISK OF INJURY

Avoid direct eye exposure to the light source while it is on. Account for small parts and destroy packing material, as these may be hazardous to children.

Warranty

****i9 Premium Area Light has 5 Year Warranty.**
