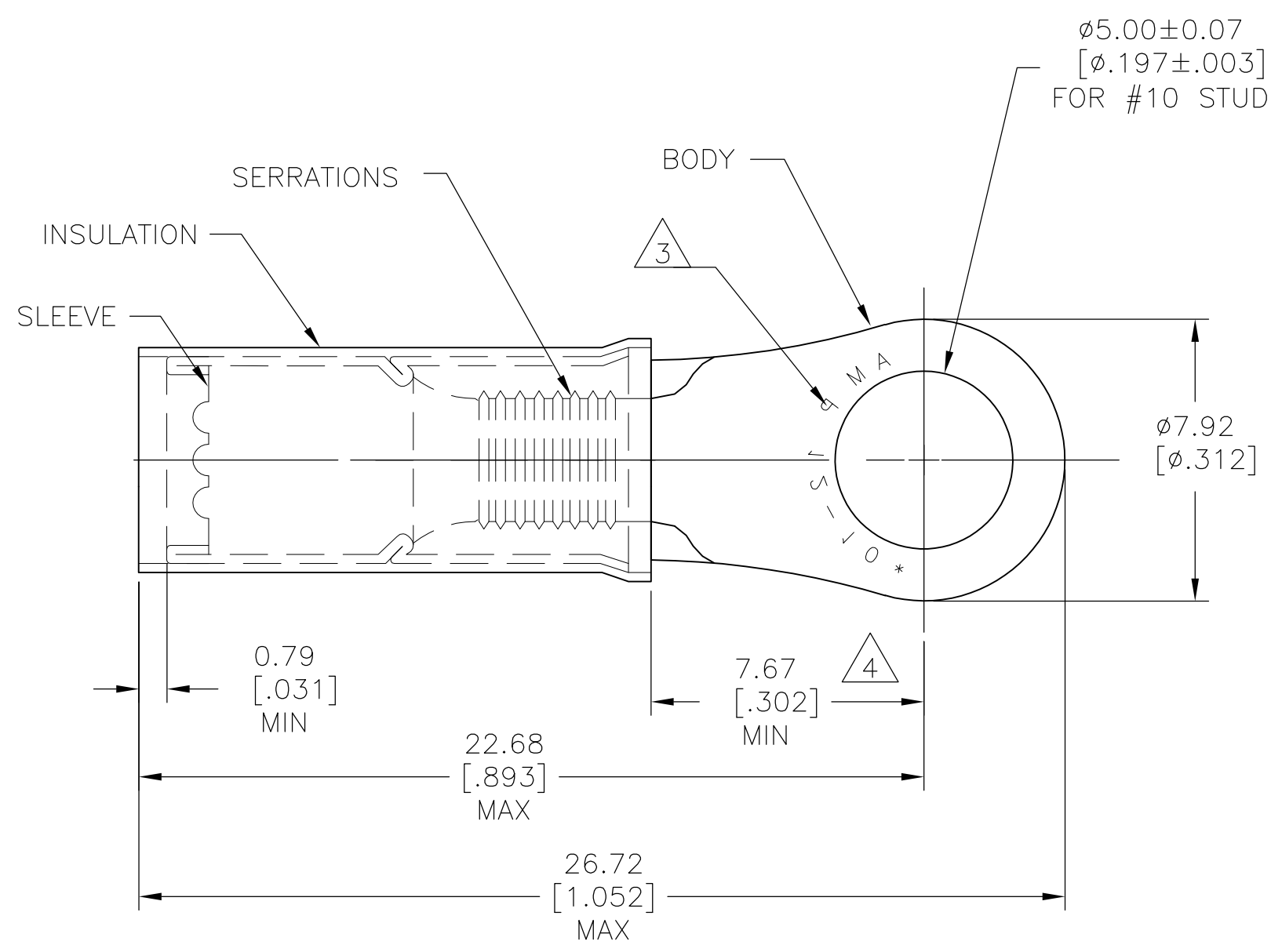


THIS DRAWING IS UNPUBLISHED. RELEASED FOR PUBLICATION
 © COPYRIGHT - By - ALL RIGHTS RESERVED.

LOC	DIST	REVISIONS					
		P	LTR	DESCRIPTION	DATE	DWN	APVD
-	-	G2		NEW DRAWING PER ECO-11-019045	03APR12	KH	DR



AMP WIRE RANGE	Listed FILE E13288	LR7189 Certified
12-10 AWG SOLID OR STRANDED	12-10 AWG SOLID OR STRANDED	12-10AWG SOLID OR STRANDED

- 1 TONGUE MATERIAL THK: 1.02±0.05[.040±.002]
- 2 FOR WIRE INSULATION DIA: 3.81[.150] TO 5.84[.230]
- 3 STAMP AMP 12-10* APPROX AS SHOWN.
- 4 DIMENSION APPLIES FROM EDGE OF METAL WIRE BARREL TO CENTER OF STUD HOLE.
- 5 MATERIAL: BODY & SLEEVE: COPPER PER ASTM B152.
INSULATION : NYLON
- 6 FINISH: BODY & SLEEVE: TIN PLATE PER ASTM B545.
INSULATION: COLOR-YELLOW.

50	LOOSE PC, BOX	8-324918-2
2500	ON TAPE REEL	1-324918-0
500	LOOSE PIECE	324918
QTY	PACKAGE TYPE	PART NO

AMP INCORPORATED
CUSTOMER SERVICE SYSTEMS

FOR ADDITIONAL PRODUCT INFORMATION OR COPIES OF DRAWINGS AND TECHNICAL DOCUMENTS
 PRODUCT INFORMATION CENTER
 1-800-522-6752

FOR APPLICATION TOOLING INFORMATION
 TOOLING ASSISTANCE CENTER
 1-800-722-1111

FOR ORDER ENTRY
 1-800-526-5142

RECOMMENDED OPERATING TEMPERATURE:
 105°C [221°F]

VOLTAGE RATING:
 300V MAX

WIRE CROSS SECTIONAL AREA RANGE:
 2.62-6.64mm² [5,180-13,100] CIR.MIL
 SOLID OR STRANDED

THIS DRAWING IS A CONTROLLED DOCUMENT.

DIMENSIONS: mm [INCHES]	TOLERANCES UNLESS OTHERWISE SPECIFIED:
	0 PLC ± -
	1 PLC ± -
	2 PLC ± 0.20[.008]
	3 PLC ± -
	4 PLC ± -
	ANGLES ± -
MATERIAL	FINISH
5	6

DWN KIRAN HOLAL 03APR12	TE Connectivity
CHK ROHDE DANIEL 03APR12	
APVD ROHDE DANIEL 03APR12	
NAME	
PRODUCT SPEC	WIRE TERMINAL P.I.D.G RING TONGUE WIRE SIZE 12-10
APPLICATION SPEC	SIZE CAGE CODE DRAWING NO RESTRICTED TO
WEIGHT	A3 00779 C-324918
CUSTOMER DRAWING	SCALE 6:1 SHEET 1 OF 1 REV G2