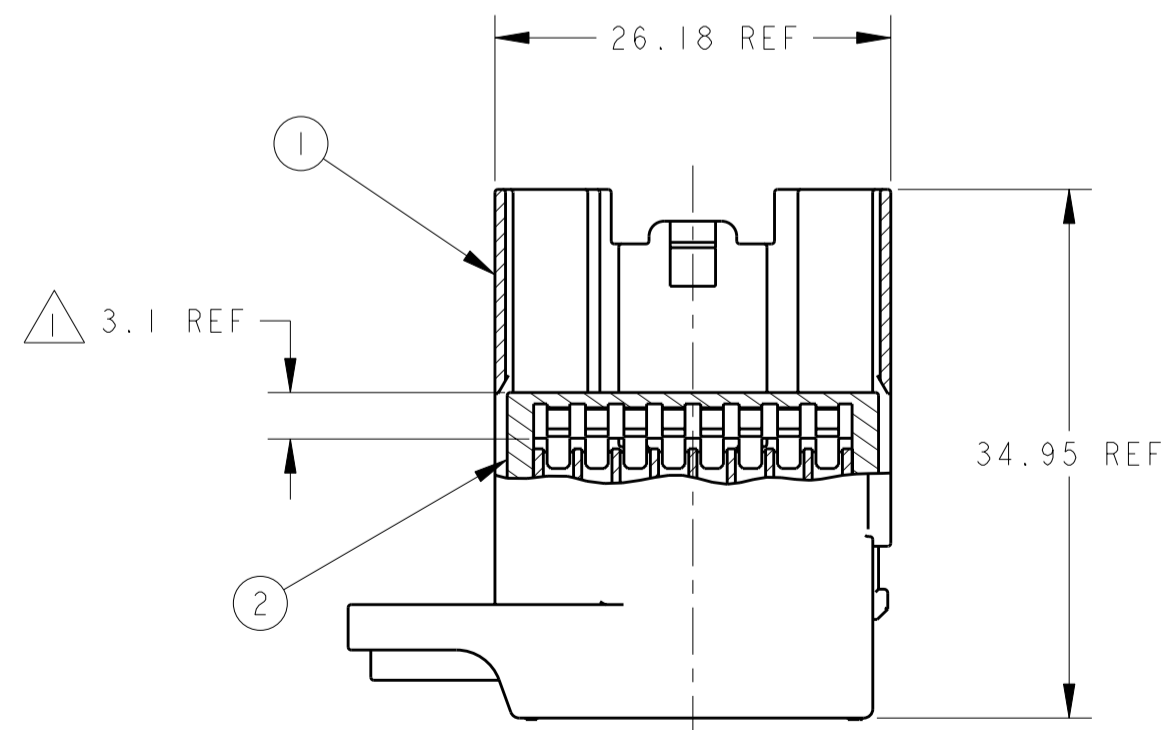
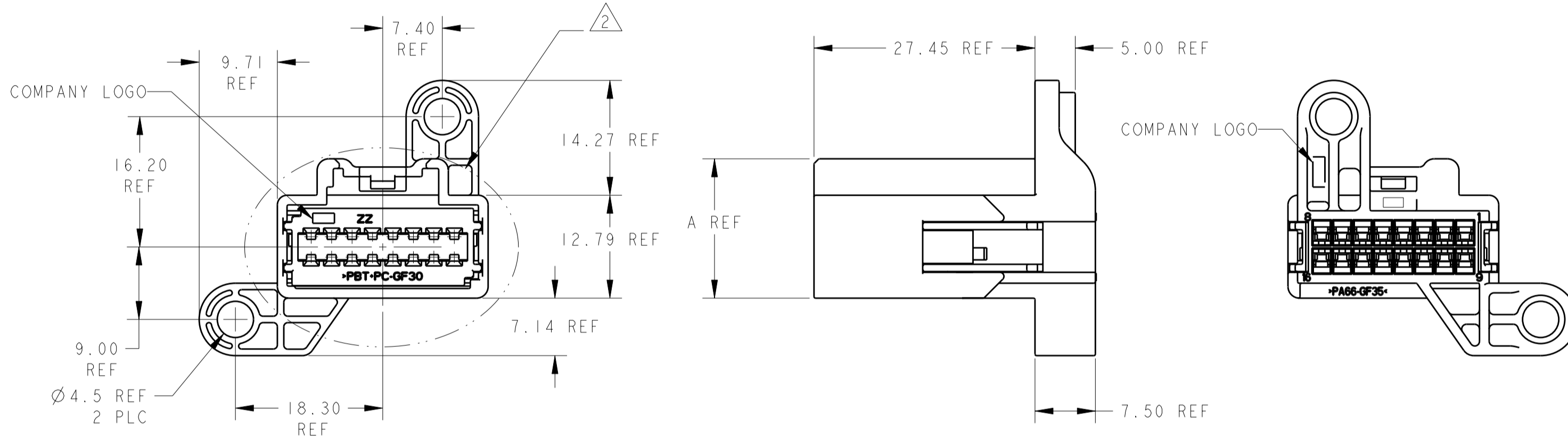
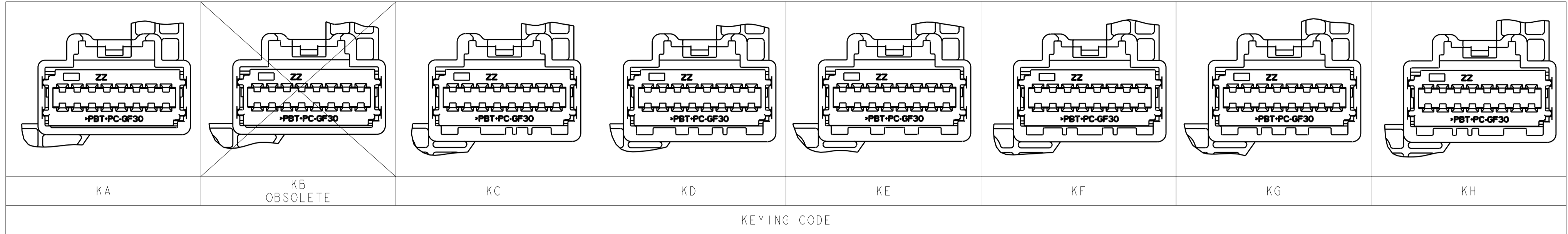


THIS DRAWING IS UNPUBLISHED. RELEASED FOR PUBLICATION 20
 © COPYRIGHT 20 BY TYCO ELECTRONICS CORPORATION. ALL RIGHTS RESERVED.

LOC DIST
 FX 00

REVISIONS					
P	LTR	DESCRIPTION	DATE	DWN	APVD
A		REVISED PER EC 0K3G-0035-02	13FEB2002	MFF	AJS
A1		REVISED PER EC 0K3G-0228-02	20NOV2002	MBH	AJS
A2		REVISED PER ECR 06-020521	15SEP2006	DLD	DCS
A3		REV PER ECR-10-012906	24JUN2010	VSS	DZ



① TPA SHOWN IN PRE-LATCHED POSITION
 ② SEE KEYING CODE TABLE FOR VARIOUS KEYING CONFIGURATIONS

OBSOLETE		<--- ASSEMBLY PART NUMBERS										
1438170-8	1438170-7	1438170-6	1438170-5	1438170-4	1438170-3	1438170-2	1438170-1	2	TPA	N/A	sPS-GF30	RED
								1	HEADER "KH"	18.52	sPS+PA66-GF30	BLACK
								1	HEADER "KG"	18.52	sPS+PA66-GF30	BLACK
								1	HEADER "KF"	18.52	sPS+PA66-GF30	BLACK
								1	HEADER "KE"	18.52	sPS+PA66-GF30	BLACK
								1	HEADER "KD"	18.52	sPS+PA66-GF30	BLACK
								1	HEADER "KC"	18.52	sPS+PA66-GF30	BLACK
								1	HEADER "KB"	17.32	sPS+PA66-GF30	BLACK
								1	HEADER "KA"	17.32	sPS+PA66-GF30	BLACK
QUANTITY	ITEM	DESCRIPTION	DIM A	MATERIAL	COLOR							

THIS DRAWING IS A CONTROLLED DOCUMENT FOR TYCO ELECTRONICS CORPORATION. IT IS SUBJECT TO CHANGE AND THE CONTROLLING ENGINEERING ORGANIZATION SHOULD BE CONTACTED FOR THE LATEST REVISION.

DWN J R SHUEY 26OCT2001
 CHK A J SHUMAN 29OCT2001
 APVD A J SHUMAN 29OCT2001

Tyco Electronics Tyco Electronics
 Harrisburg, PA 17105-3608

NAME PLUG ASSEMBLY,
 2 X 8 INLINE, MALE
 WITH MOUNTING EARS

SIZE A2 CAGE CODE 00779 DRAWING NO. 1438170 RESTRICTED TO

MATERIAL SEE CALLOUT DIMENSIONS: mm TOLERANCES UNLESS OTHERWISE SPECIFIED:
 0 PLC ±
 1 PLC ±0.4
 2 PLC ±0.20
 3 PLC ±
 4 PLC ±
 ANGLES ±°
 FINISH

PRODUCT SPEC -
 APPLICATION SPEC -
 WEIGHT -

CUSTOMER DRAWING SCALE 2:1 SHEET 1 OF 1 REV A3

1438170