

THIS DRAWING IS UNPUBLISHED.

RELEASED FOR PUBLICATION

20

© COPYRIGHT 20

Tyco Electronics AMP GmbH

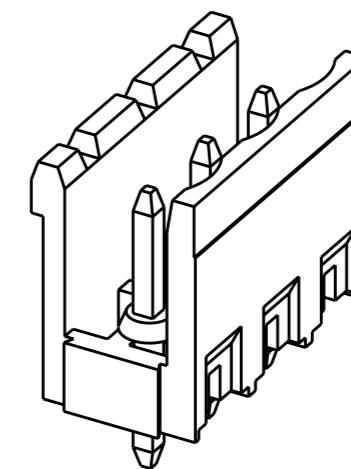
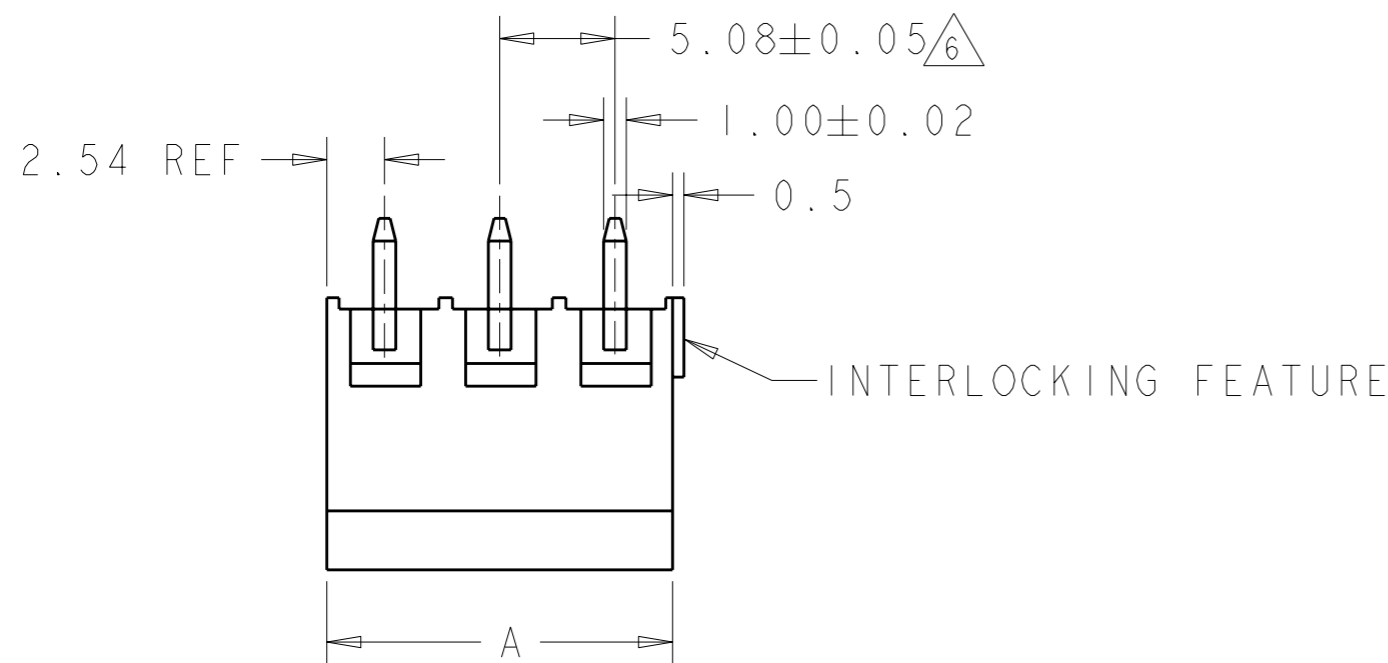
ALL RIGHTS RESERVED.

LOC  
FT

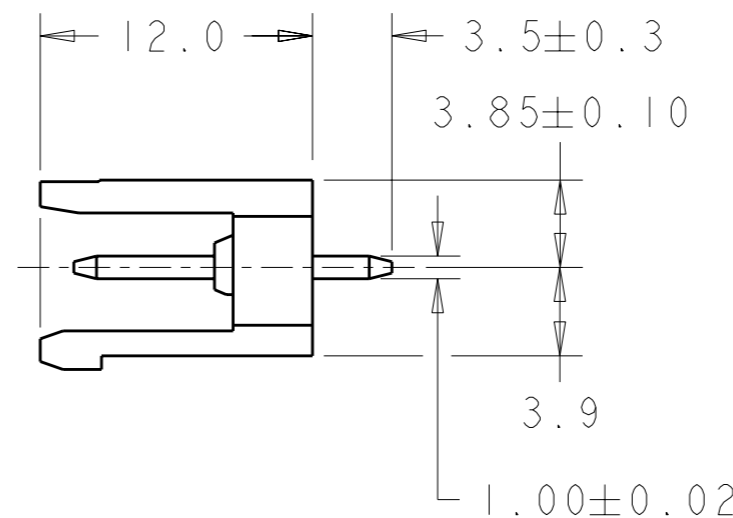
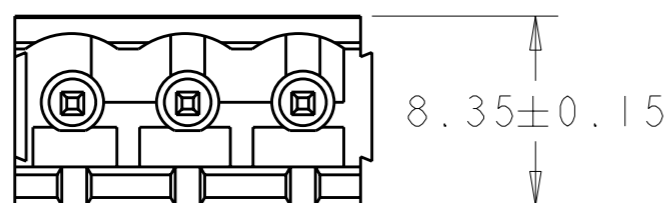
DIST  
0

REVISIONS

P	LTR	DESCRIPTION	DATE	DWN	APVD
	CI	REVISED PER ECO-12-007964	02MAY2012	KH	MS



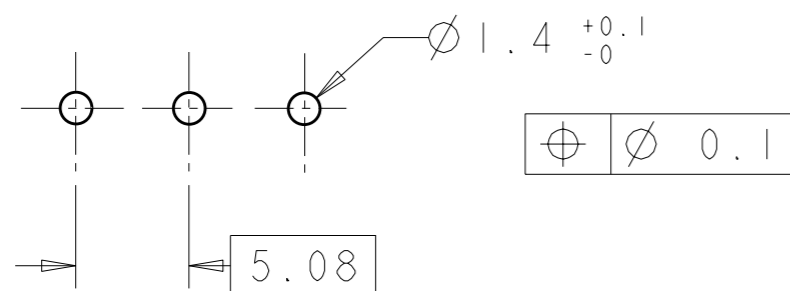
282824-3 AS SHOWN



- 1 MATERIALS AND FINISH  
HOUSING: PA 6-6, UL 94-V0, COLOR GREEN.  
TERMINAL: COPPER ALLOY, TIN PLATED.
- 2 SUITABLE FOR 1,6-2,4mm PC BOARD THICKNESS.
- 3 END-TO-END STACKABLE W/INTERLOCK WITHOUT LOSS OF CENTERLINE SPACING.
- 4 RECOGNIZED UNDER THE COMPONENT PROGRAM OF UNDERWRITERS LABORATORIES INC. FILE N° E60677.
- 5 IMQ CERTIFICATE WITH SURVEILLANCE IN CONFORMITY WITH IEC 998-1/998-2-1.
- 6 NOT CUMULATIVE TOLERANCE.

20.32	4	282824-4
15.24	3	282824-3
10.16	2	282824-2
<b>DIM. A</b>	<b>N° OF POS.</b>	<b>PART NUMBER</b>

RECOMMENDED PC BOARD LAYOUT



THIS DRAWING IS A CONTROLLED DOCUMENT.		DWN E. ZANOLINI 30 JUL 2001		TE Connectivity	
DIMENSIONS: mm		CHK D. BIEVENOUR 30 JUL 2001			
TOLERANCES UNLESS OTHERWISE SPECIFIED:		APVD D. BIEVENOUR 30 JUL 2001		NAME TERMINAL BLOCK HEADER ASSEMBLY 180 DEGREE STACKING W/INTERLOCK 5.08mm PITCH	
0 PLC ±-		PRODUCT SPEC 108-20166		SIZE A3	
1 PLC ±.3		APPLICATION SPEC 114-20079		CAGE CODE 00779	
2 PLC ±.25		WEIGHT -		DRAWING NO C-282824	
3 PLC ±-		CUSTOMER DRAWING		RESTRICTED TO -	
4 PLC ±-		SCALE 3:1		SHEET 1	
ANGLES ±2		FINISH		OF 1	
MATERIAL		FINISH		REV CI	