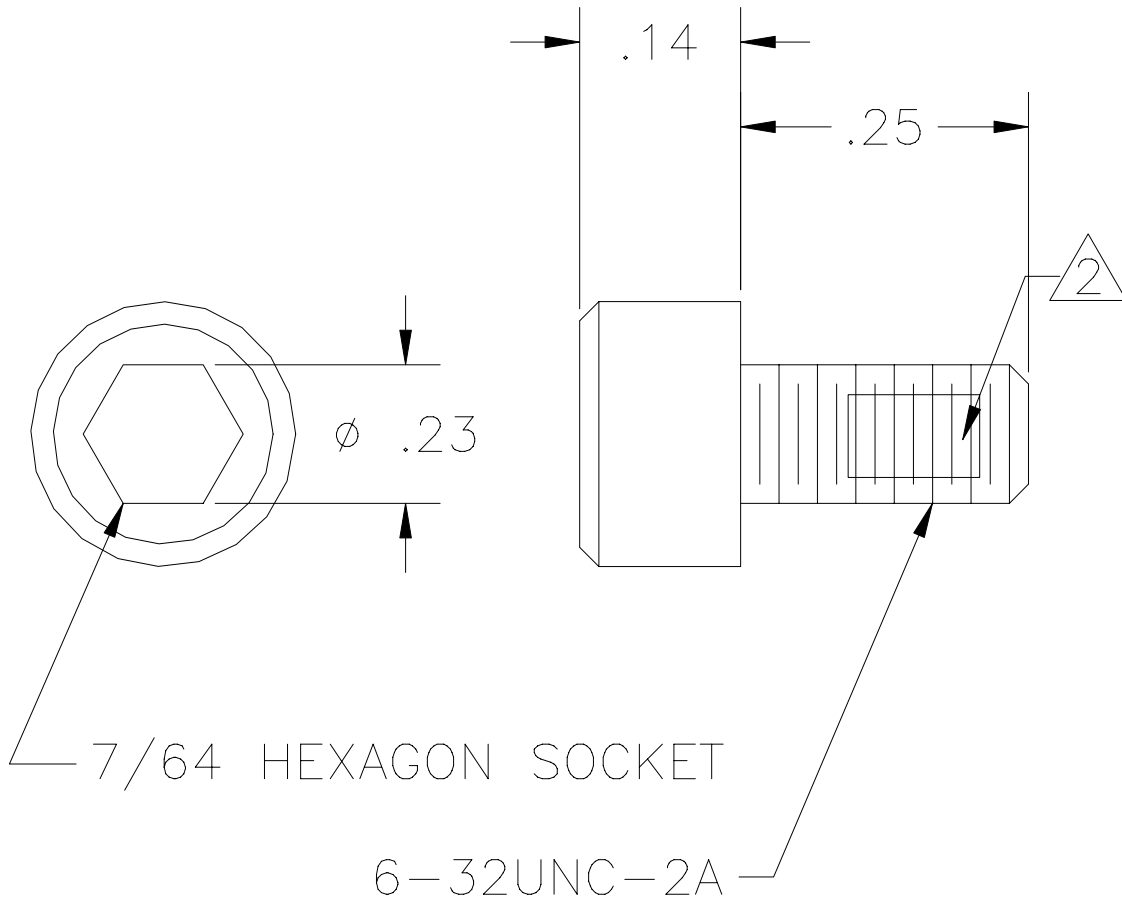


REVISIONS			
LTR	DESCRIPTION	DATE	APPROVED
D	REVISED PER ECN T-21392	14APR97	T.SEATON



NOTES:

- PART USED WITH MTC-XXX-XXX RECEPTACLE ASSEMBLIES.
- SCREW PROVIDED WITH LOCKING ELEMENT IN ACCORDANCE WITH MIL-F-18240, CONFIG. B.
- WEIGHT: .0020 lbs. [.907 gr.] MAXIMUM.
- MATERIAL: STAINLESS STEEL PER QQ-S-763.
FINISH: CADMIUM PLATED PER QQ-P-416.

SPECIFICATION CONTROL DRAWING

If this document is printed it becomes uncontrolled.
Check with the web for latest revision.

UNLESS OTHERWISE SPECIFIED DIMENSIONS ARE IN INCHES. METRIC DIMENSIONS ARE IN BRACKETS.	DRAWN	LUTTICKEN	9-4-85	<i>Raychem</i>		RAYCHEM CORPORATION 300 CONSTITUTION DRIVE MENLO PARK, CALIFORNIA 94025			
	CHECKED								
	APPROVED	J.BLAIR	9-4-85	TITLE SCREW, ADAPTER CADMIUM PLATED MTC SERIES		SIZE A	CODE IDENT. NO. 06090	DWG. NO. CHA-0094	REV D
	APPROVED	J.CAMERON	10-2-89						
DECIMALS .XXX ± .005 [mm] .XX ± .01 [mm]	CAD NAME T21392			DO NOT SCALE THIS DRAWING		SHEET 1 OF 1			
ANGLES .X ±	THIRD ANGLE PROJECTION								
WEIGHT 3 lbs [g]									