

THIS DRAWING IS UNPUBLISHED.

RELEASED FOR PUBLICATION

---

LOC

DIST

REVISIONS

© COPYRIGHT - By -

ALL RIGHTS RESERVED.

GP

00

P

LTR

DESCRIPTION

DATE

DWN

APVD

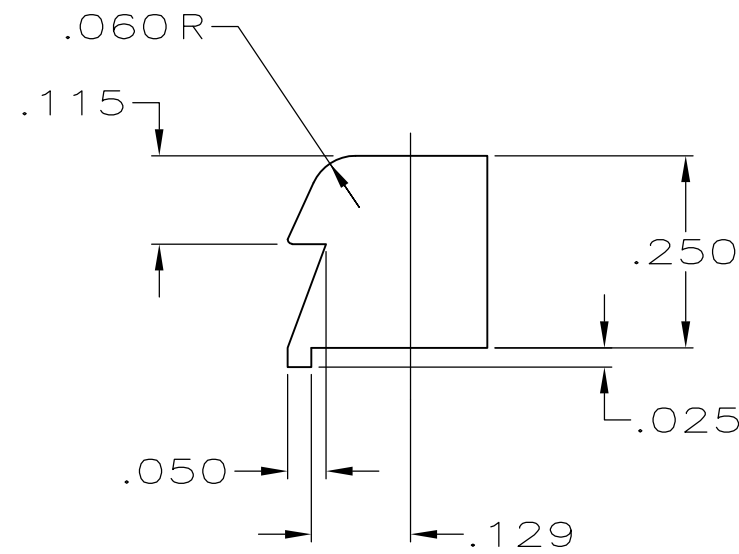
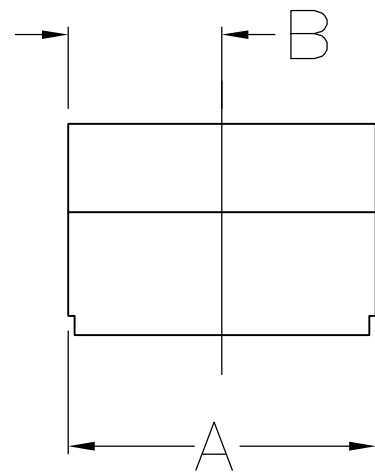
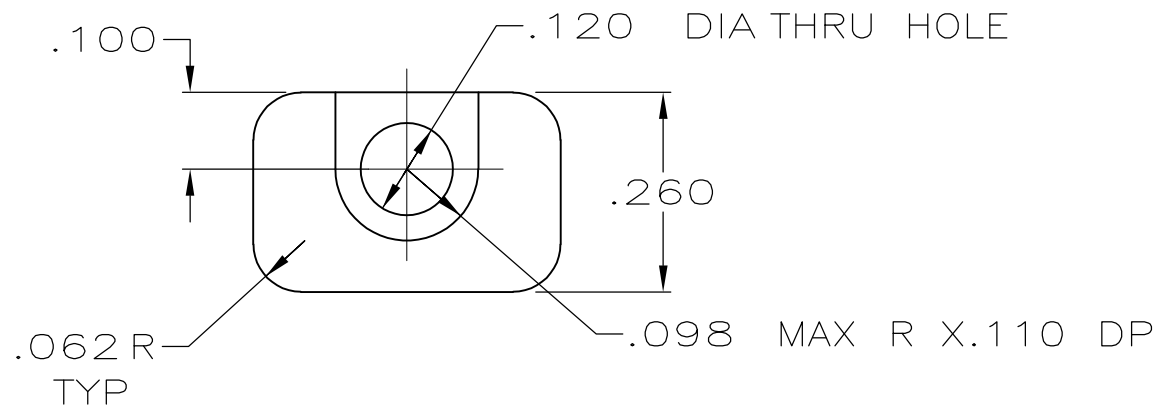
C

REVISED PER ECO-13-018213

27NOV2013

CJV

CWR



OBSOLETE	BULK PACKAGED	2	.265	.530	745286-6
OBSOLETE	ONE KIT PER BAG	2	.265	.530	745286-5
	BULK PACKAGED	2	.200	.400	745286-3
	ONE KIT PER BAG	2	.200	.400	745286-2
	PACKAGING	QUANTITY	B	A	PART NUMBER

THIS DRAWING IS A CONTROLLED DOCUMENT.		DWN J GALLUCCI BG 4-10-90	<b>STE</b> TE Connectivity		
DIMENSIONS: INCHES		CHK -			
		TOLERANCES UNLESS OTHERWISE SPECIFIED:		PRODUCT SPEC -	
		0 PLC ± - 1 PLC ± - 2 PLC ± - 3 PLC ± .005 4 PLC ± - ANGLES ± -		APPLICATION SPEC -	
MATERIAL ZINC-ZAMAC #3		FINISH		WEIGHT -	
CUSTOMER DRAWING			SIZE A3	CAGE CODE 00779	DRAWING NO C-745286
			SCALE 4:1	SHEET 1 OF 1	REV C