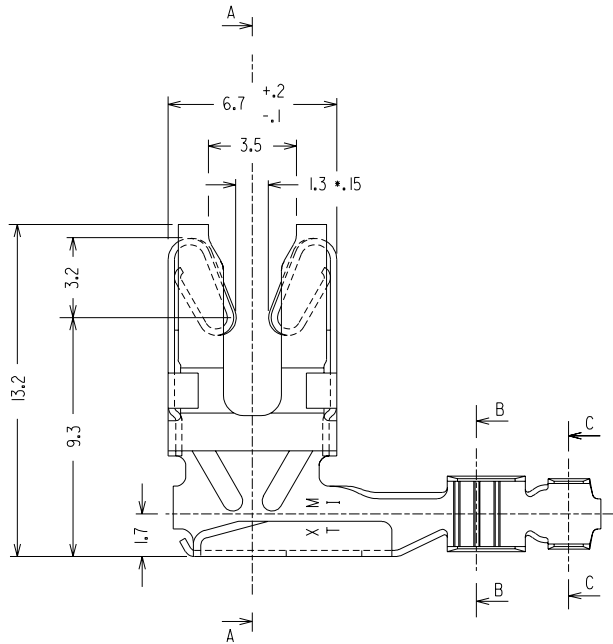
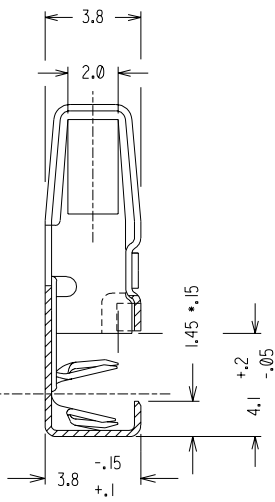


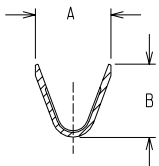
CODICE P/N	SEZ. CAVO WIRE SIZE	Ø ISOLANTE INS. RANGE	A	B	C	D
94510-1103	0.35 - 0.50	1.70 MAX	1.9	2.2	2.7	2.7
94510-1203	0.75 - 1.00	2.10 MAX	3.0	2.9	2.8	2.9



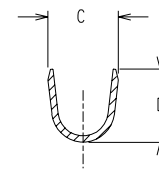
SEZIONE A - A  
SECTION A - A



SEZIONE B - B  
SECTION B - B



SEZIONE C - C  
SECTION C - C



MATERIALE: BRONZO FOSFOROSO  
MATERIAL: PHOSPHOR BRONZE

FINITURA: PRESTAGNATO  
PLATING: PRE-TINNED

PASSO TRA CONTATTI ADIACENTI: 21.3 mm  
PITCH BETWEEN ADJACENT TERMINALS: 21.3 mm

SENDO DI SVOLGIMENTO DALLA BOBINA  
DEREELING DIRECTION

(N.° PEZZI PER BOBINA: 2700)  
(N. OF TERMINALS PER REEL: 2700)

ECN Z2-195 20-11-92 NEW RELEASE	REVISIONS	DIMENSIONS SHOWN (METRIC) INCH	DRWG BY	REVISE ONLY ON CAD SYSTEM		SH.	REV.	
		UNLESS OTHERWISE SPECIFIED TOLERANCES: ANGULAR ±3°	Barbieri	CAD/CAM FILENAME	THIS DRAWING CONTAINS INFORMATION THAT IS PROPRIETARY TO MOLEX INC AND SHOULD NOT BE USED WITHOUT WRITTEN PERMISSION			
		INCH (METRIC)	CHK'D BY	9451016S	TITLE			
		3 PLACE ±	Previato	CONTATTO A FORCELLA A 90° - SPESSORE NOM. DEL MASCHIO: 2.1 mm - R/A FORK TERMINAL - TAB SIZE: 2J mm -				
2 PLACE ±	APP'D BY	MOLEX	MOLEX INCORPORATED		SHEET NO.	DATE		
1 PLACE ± 0.2	SCALE	5:1		1/1		18-07-90		
DESIGN DIMENSION (PRIMARY)	□ (MM)			PART NO.	VEDI TABELLA SEE TABLE	DWG NO.	94510 - 1X03 SD	
EQUIVALENT DIMENSION (SECONDARY)	□ (MM) □ IN.					SIZE	B	