

THIS DRAWING IS UNPUBLISHED.

RELEASED FOR PUBLICATION

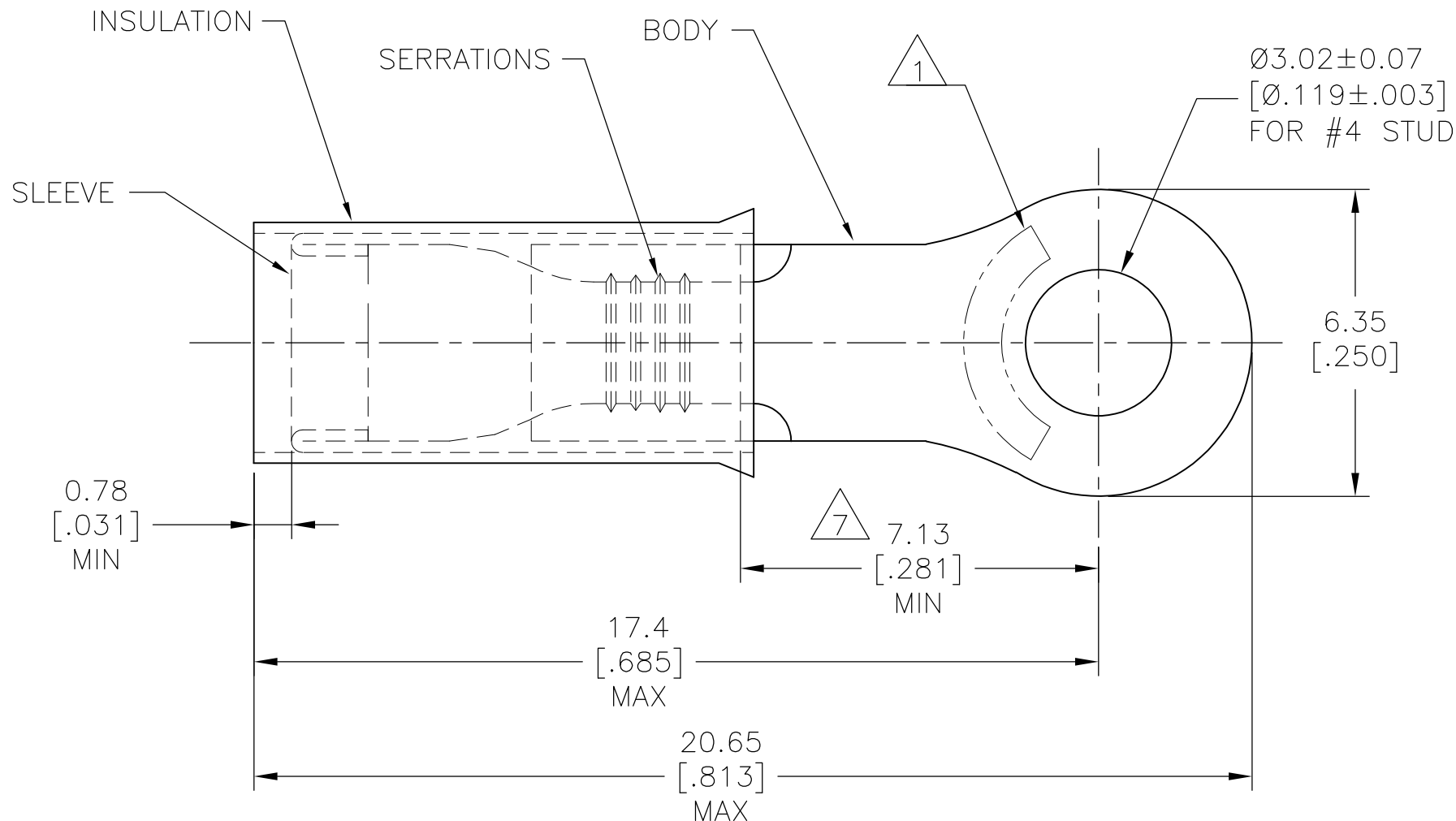
ALL RIGHTS RESERVED.

© COPYRIGHT - By -

REVISIONS

| P  | LTR | DESCRIPTION               | DATE      | DWN | APVD |
|----|-----|---------------------------|-----------|-----|------|
| E3 |     | REVISED PER ECR-16-018297 | 16JAN2017 | BDA | DR   |

|                                |                                |                                |
|--------------------------------|--------------------------------|--------------------------------|
| <b>AMP</b><br>WIRE RANGE       | Listed                         | LR7189<br>Certified            |
| 16-14 AWG<br>SOLID OR STRANDED | 16-14 AWG<br>SOLID OR STRANDED | 16-14 AWG<br>SOLID OR STRANDED |



- 1 STAMP AMP 16-14\*, APPROX AS SHOWN.
- 2 TONGUE THICKNESS IS 0.78±0.05 [.031±.002]
- 3 FOR 2.66[.105]-3.81[.150] WIRE INSULATION DIA
- 4 MAX RECOMMENDED OPERATING TEMP IS 105°C[221°F].
- 5 300 VOLT MAX RATING.
- 6 WIRE CROSS SECTIONAL AREA RANGE 1.04-2.62mm [2,050-5,180 CIR MILS]
- 7 APPLIES FROM EDGE OF METAL WIRE BBL TO CENTER OF STUD HOLE.

|      |             |                                                                                                                                |         |
|------|-------------|--------------------------------------------------------------------------------------------------------------------------------|---------|
| 1000 | LOOSE PIECE | BODY & SLEEVE: COPPER<br>PER ASTM B152<br>TIN PL. PER ASTM B-545<br>INSULATION: NYLON<br>PER ASTM D4066, TYPE I<br>COLOR: BLUE | 323676  |
| QTY  | PACKAGING   | MATERIAL / FINISH                                                                                                              | PART NO |

|                                        |                     |                                 |                   |               |
|----------------------------------------|---------------------|---------------------------------|-------------------|---------------|
| THIS DRAWING IS A CONTROLLED DOCUMENT. |                     | DWN<br>jr_ruth<br>01MAR10       | TE Connectivity   |               |
| DIMENSIONS:<br>mm [INCHES]             |                     | CHK<br>T MICHELUTTI<br>01MAR10  |                   |               |
| TOLERANCES UNLESS OTHERWISE SPECIFIED: |                     | APVD<br>T MICHELUTTI<br>01MAR10 | NAME              |               |
| 0 PLC ± -                              |                     | PRODUCT SPEC                    | WIRE TERMINAL     |               |
| 1 PLC ± -                              |                     | APPLICATION SPEC                | PIDG, RING TONGUE |               |
| 2 PLC ± -                              |                     | 114-2157                        | WIRE SIZE: 16-14  |               |
| 3 PLC ± .008                           |                     | WEIGHT                          | SIZE              | CAGE CODE     |
| 4 PLC ± -                              |                     | -                               | A3                | 00779         |
| ANGLES ± 1°                            |                     | CUSTOMER DRAWING                | DRAWING NO        | RESTRICTED TO |
| MATERIAL<br>SEE TABLE                  | FINISH<br>SEE TABLE | A300779                         |                   | C-323676      |
|                                        |                     | SCALE                           | SHEET             | REV           |
|                                        |                     | 8:1                             | 1 OF 1            | E3            |