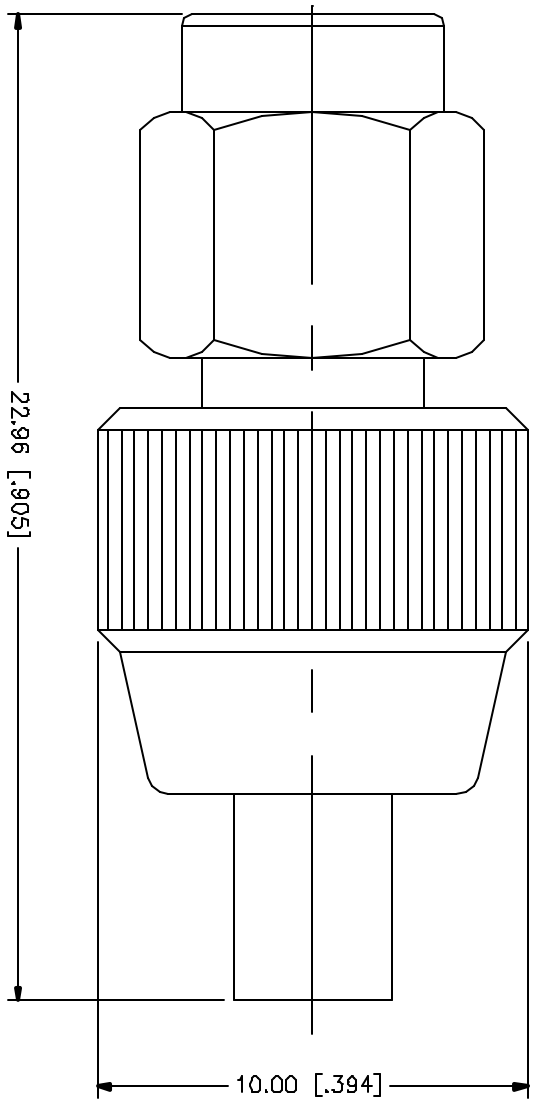


REV.	DATE	DESCRIPTION
A	03/27/05	UPDATE DRAWING FORMAT



QTY	DESCRIPTION	MATERIAL	FINISH	QTY	APPROVALS	DATE	PART DESCRIPTION
1	CONTACT PIN	BFR. COPPER	GOLD	1	DRAWN	03/27/05	<p><b>Amphenol Connex</b></p> <p>SMA MALE TO MCX FEMALE ADAPTER</p> <p>PART NO. 242126</p>
1	INSULATOR	TEFLON	NATURAL	1	CHECKED		
1	BODY	BRASS	GOLD	1	ISSUED		
1				1	SHEET 1 OF 1		
<p>UNLESS OTHERWISE SPECIFIED, DIMENSIONS ARE IN INCHES UNLESS OTHERWISE SPECIFIED. DIMENSIONS FOR MILLING ARE:</p> <p>0.3 - 0.7mm ± 0.25mm</p> <p>0.8 - 3.0mm ± 0.45mm</p> <p>3.0 - 120mm ± 0.50mm</p> <p>UNLESS OTHERWISE SPECIFIED, DIMENSIONS FOR HOLE AND DRILLING ARE:</p> <p>.020 - .315 ± 0.007"</p> <p>.315 - 1.180 ± 0.015"</p> <p>1.180 - 4.724 ± 0.020"</p>					<p>DWG. NO. 242126.DWG</p> <p>REV. A</p> <p>SIZE A</p> <p>SCALE NA</p>		
<p>DESCRIPTION</p>					<p>DWG. NO. 242126.DWG</p> <p>REV. A</p> <p>SIZE A</p> <p>SCALE NA</p>		