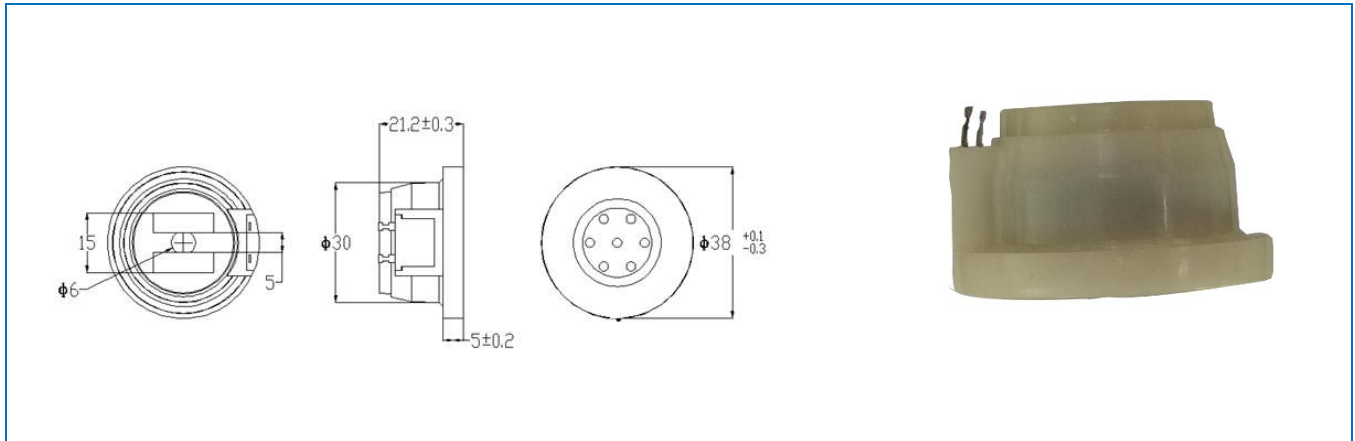


Model No: NR3836-01W-06
Rev : 1.0

Product Description

Made of superior materials, wear resistance, good shock resistance, durable small size, high sensitivity

Mechanical Drawing



Specifications

ITEMS	DATA	UNIT	ITEMS	DATA	UNIT
Impedance	36	Ohm	F ₀	/	Hz
Sensitivity	104	dB	Frequency Range	100-5K	Hz
THD	5	%	Weight	35	g
Rated Power	10	mW	Operating Temp	-20~55	°C
Max Power	20	mW			

Frequency Response Curve

