

4

3

2

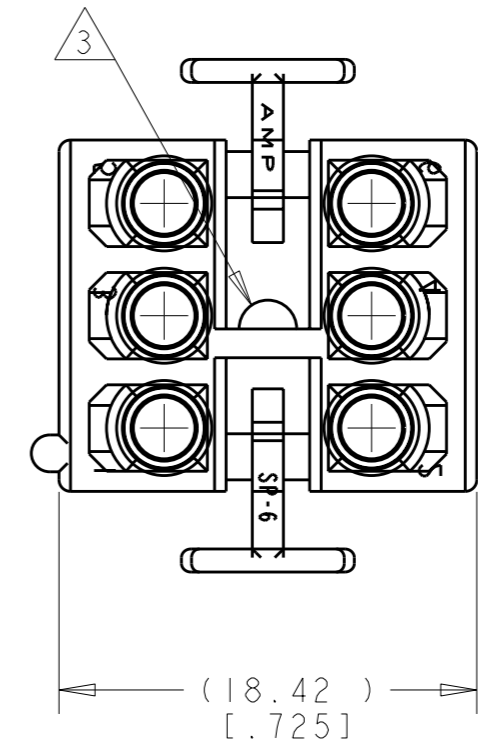
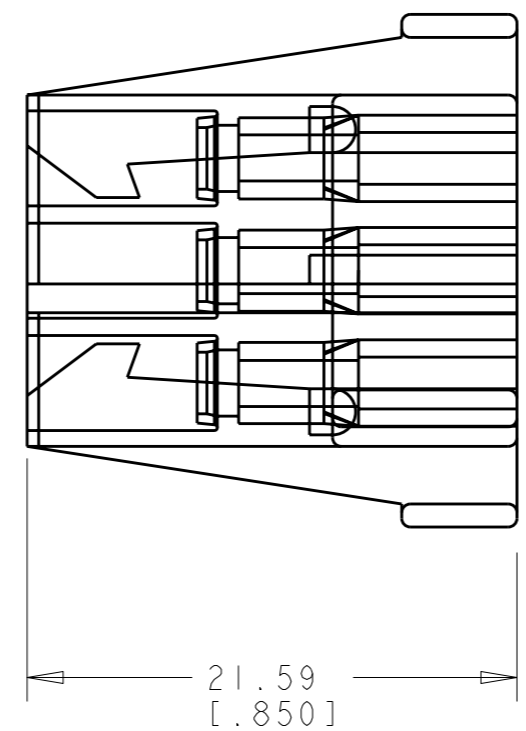
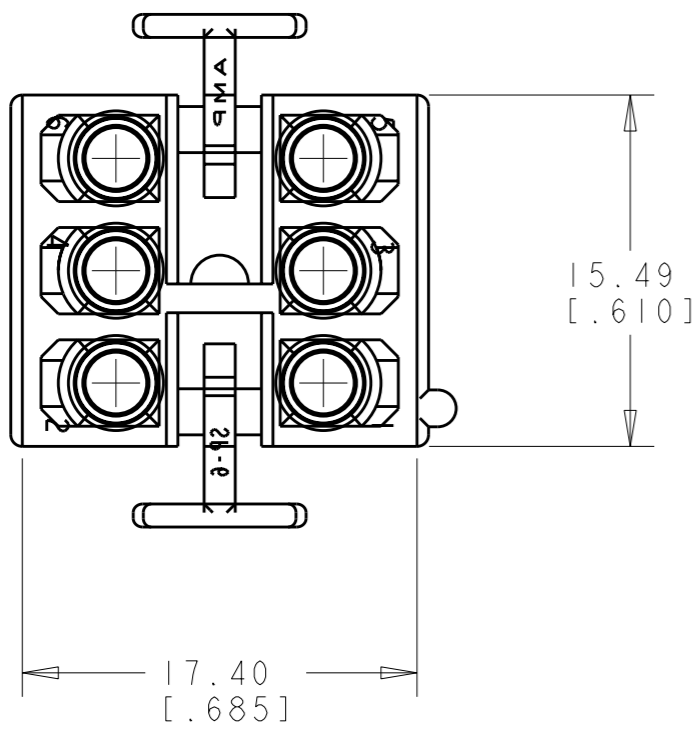
1

THIS DRAWING IS UNPUBLISHED. RELEASED FOR PUBLICATION 20

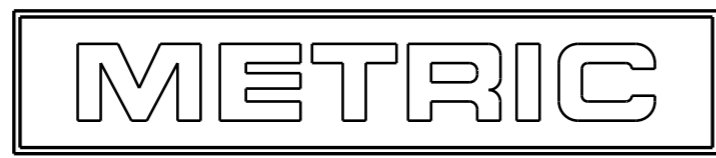
© COPYRIGHT 20 BY - ALL RIGHTS RESERVED.

LOC	DIST	REVISIONS			
P	LTR	DESCRIPTION	DATE	DWN	APVD
CM	00				
	Y2	REVISED PER ECO-11-005027	17MAR2011	RK	HMR

1. TO BE USED WITH APPROPRIATE COMMERCIAL MATE-N-LOK™ SOCKETS.
2. TO BE USED WITH CAP HOUSING 480271.
- △ 3. OPTIONAL CONSTRUCTION.



NYLON, BLACK	I-480270-9
NYLON, NATURAL	I-480270-0
MATERIAL AND COLOR	PART NUMBER



THIS DRAWING IS A CONTROLLED DOCUMENT.		DWN K. WHITAKER 04NOV2003	TE Connectivity	
DIMENSIONS: mm [INCHES]		CHK D. COLEY 04NOV2003		
TOLERANCES UNLESS OTHERWISE SPECIFIED:		APVD D. COLEY 04NOV2003	NAME 6 CIRCUIT MATE-N-LOK™ PLUG	
0 PLC ±- 1 PLC ±- 2 PLC ±0.13 [.005] 3 PLC ±- 4 PLC ±- ANGLES ±0° 30'		PRODUCT SPEC -	SIZE A3	
MATERIAL SEE TABLE		APPLICATION SPEC -	CAGE CODE 300779	DRAWING NO C-480270
FINISH -		WEIGHT -	RESTRICTED TO -	
		CUSTOMER DRAWING	SCALE 3:1	SHEET 1 OF 1 REV Y2