

THIS DRAWING IS UNPUBLISHED. RELEASED FOR PUBLICATION FEB ,2006.  
 © COPYRIGHT 2006 By - ALL RIGHTS RESERVED.

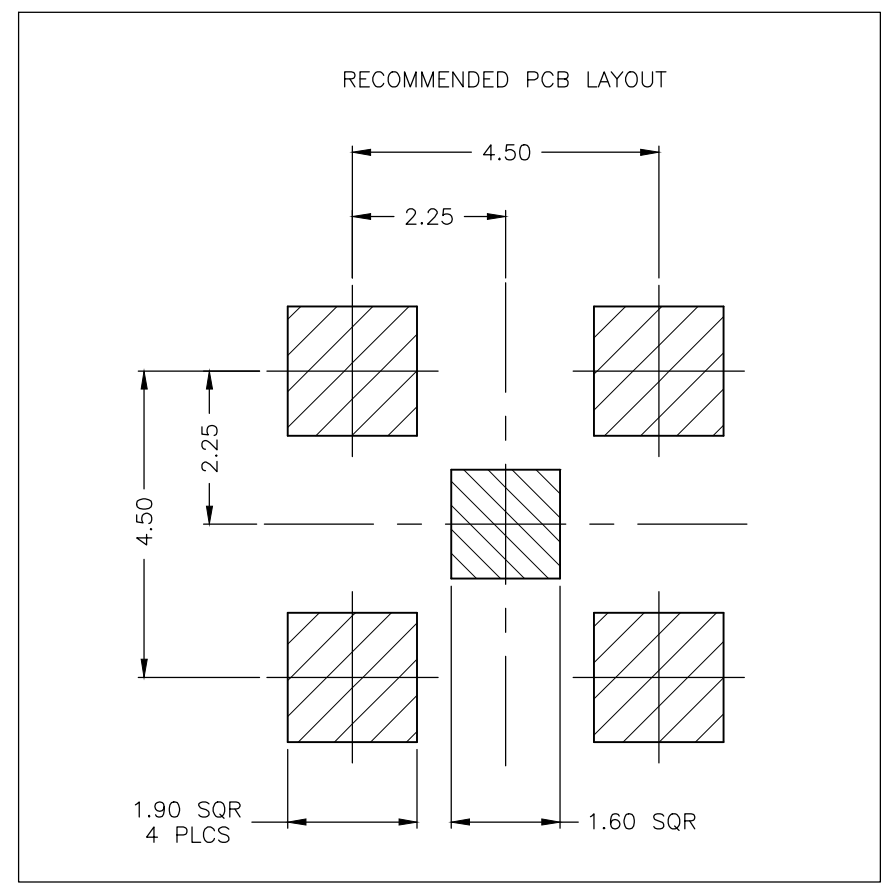
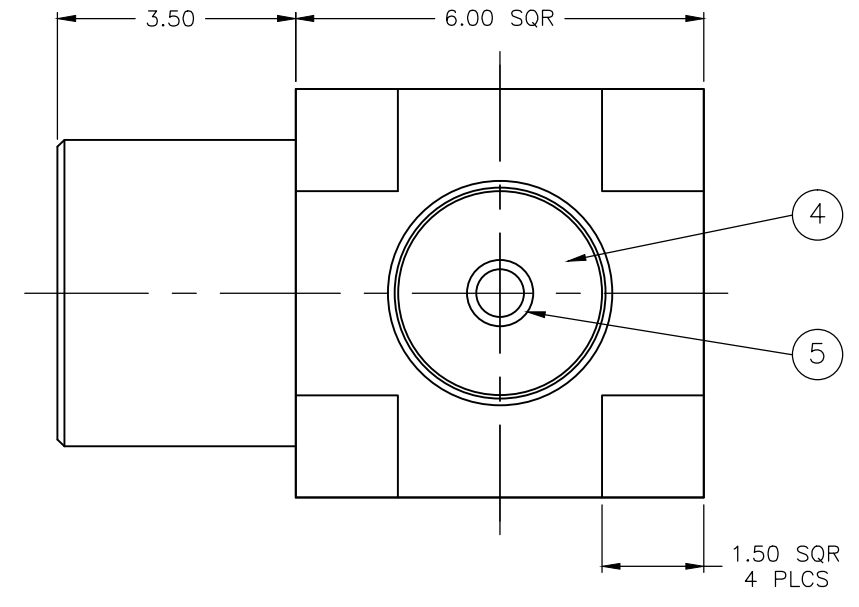
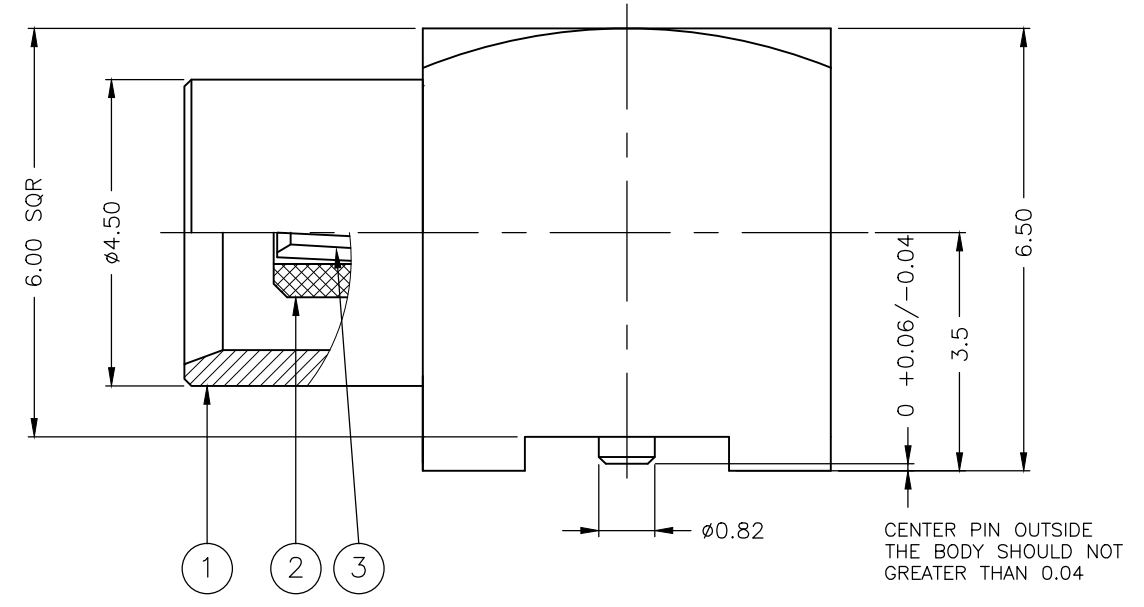
REVISIONS					
P	LTR	DESCRIPTION	DATE	DWN	APVD
	E2	REVISE PER ECR-17-007278	19MAY2017	BW	RS

- NOTES:
- 1 SINGLE PACKING: ONE CONNECTOR PER LABELED BAG PACKAGED. LABELED PER TEC-107-115
  - 2 TAPE AND REEL PACKAGING OPTION AS PER NOTES 9 AND 16
  - 3 Au PLATING

- 4 ELECTRICAL CHARACTERISTICS
- |                                |                            |
|--------------------------------|----------------------------|
| FREQUENCY RANGE:               | DC - 6 GHz                 |
| NOMINAL IMPEDANCE:             | 50 Ohm                     |
| INSULATION RESISTANCE:         | 500 MOhm                   |
| WORKING VOLTAGE:               | 335 Volts RMS at Sea Level |
| DIELECTRIC WITHSTAND VOLTAGE:  | 1000 Volts RMS Max         |
| CONTACT RESISTANCE:            |                            |
| CENTER CONTACT:                | 5.00 mOhm Max              |
| OUTER CONTACT:                 | 2.50 mOhm Max              |
| VSWR @ 6GHz:                   | 1.5 Max                    |
| INSERTION LOSS dB @ x 1.0 GHz: | 0.10 Max                   |

- 5 MECHANICAL CHARACTERISTICS
- |                   |                   |
|-------------------|-------------------|
| ENGAGEMENT FORCE: | 63 N Max          |
| SEPARATION FORCE: | 8N Min TO 20N Max |
| DURABILITY:       | 500 Cycles Min    |

- 6 ENVIRONMENTAL CHARACTERISTICS
- |                        |               |
|------------------------|---------------|
| OPERATING TEMPERATURE: | -40 to +85 °C |
|------------------------|---------------|
7. FOR TECHNICAL DATA REFER TO YOUR LOCAL TYCO ELECTRONICS SALES OFFICE
8. ALL DIMENSIONS ARE NOMINAL FOR REFERENCE ONLY UNLESS OTHERWISE STATED



QTY	DESCRIPTION	MATERIAL	ITEM
1	CONTACT	BRASS	5
1	INSULATION	PTFE	4
1	CONTACT	BERYLLIUM COPPER	3
1	INSULATION	PTFE	2
1	BODY	BRASS	1
6--0	MATERIAL		
1--0	DESCRIPTION		
	ITEM		

THIS DRAWING IS A CONTROLLED DOCUMENT.		DWN	J.SANDWELL	02FEB06
DIMENSIONS: mm		CHK	S.PARLOW	02FEB06
TOLERANCES UNLESS OTHERWISE SPECIFIED:		APVD	F.WHEELER-KING	02FEB06
0 PLC	± -	PRODUCT SPEC		
1 PLC	± 0.2	APPLICATION SPEC		
2 PLC	± 0.1	WEIGHT		
3 PLC	± -	0		
4 PLC	± -	CUSTOMER DRAWING		
ANGLES	± -	SCALE NTS		
FINISH	-	SHEET 1 OF 2		
MATERIAL	SEE TABLE	STE TE Connectivity		REV E2
		NAME		RESTRICTED TO
		MCX SURFACE MOUNT ELBOW PCB SOCKET 50 OHM		
		SIZE	A3	
		CAGE CODE	00779	
		DRAWING NO	C-1337583	

THIS DRAWING IS UNPUBLISHED.

RELEASED FOR PUBLICATION FEB , 2006.

REVISIONS

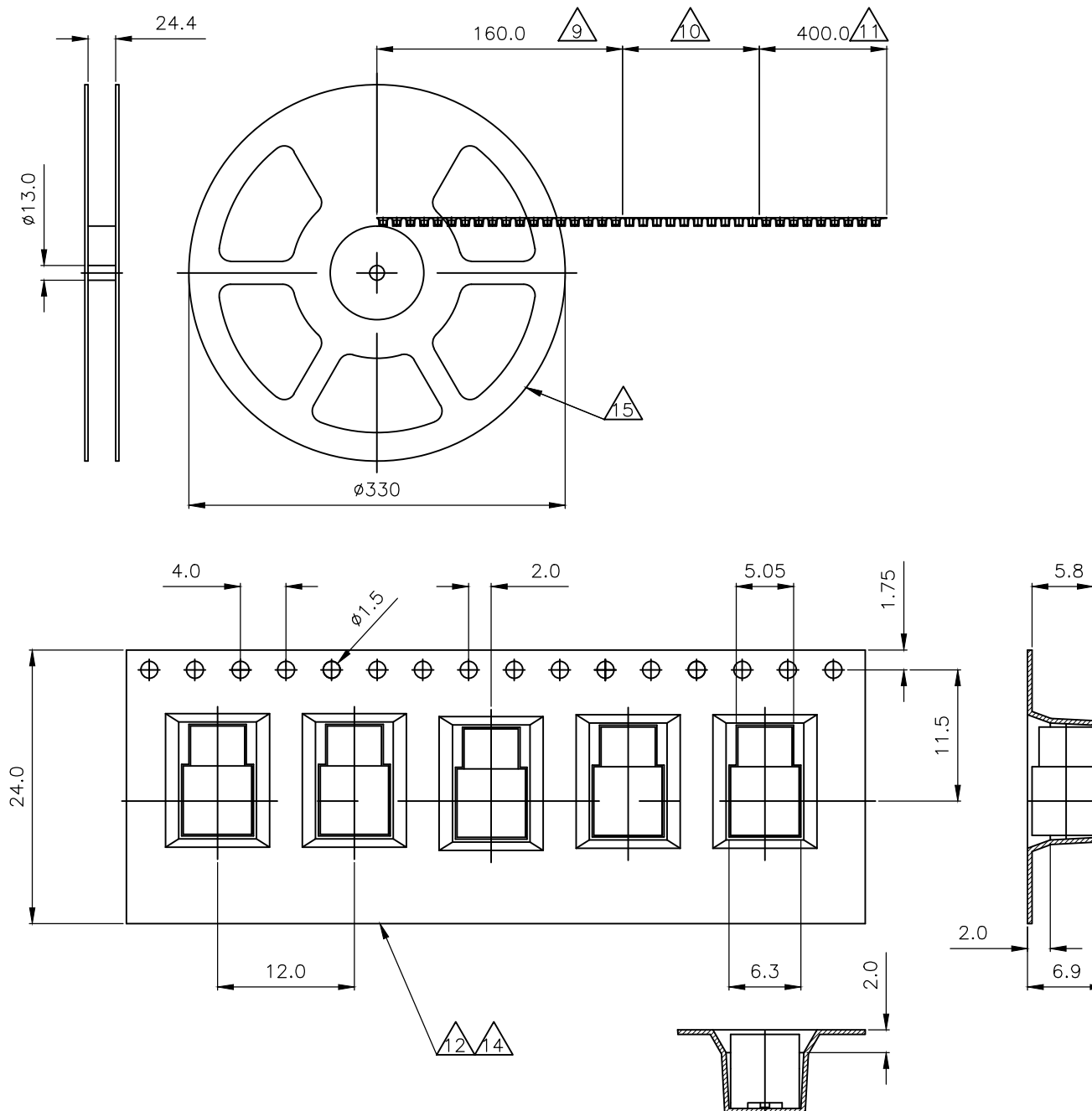
© COPYRIGHT 2006 By -


ALL RIGHTS RESERVED.

P	LTR	DESCRIPTION	DATE	DWN	APVD
-	-	SEE SHEET 1	-	-	-

NOTES (CONT):

- 9 LAST RUNNING ACCORDING TO IEC 60286-3
- 10 BLISTER BELT FILLED WITH PARTS
- 11 400mm EMPTY BLISTER BELT, SEALED WITH COVER TAPE
- 12 BLISTER BELT ACCORDING TO IEC 60286-3
- 13 UNIT PER REEL: 750 PIECES
- 14 VOLUME-CONDUCTIVE MATERIAL
- 15 MADE FROM POLYSTYRENE
- 16 SMD-STRIP-PACKAGING ACCORDING TO IEC 60286-2



THIS DRAWING IS A CONTROLLED DOCUMENT.		DWN J.SANDWELL 02FEB06	 <b>TE Connectivity</b>		
DIMENSIONS: mm		CHK S.PARLOW 02FEB06			
TOLERANCES UNLESS OTHERWISE SPECIFIED:		APVD F.WHEELER-KING 02FEB06	NAME MCX SURFACE MOUNT ELBOW PCB SOCKET 50 OHM		
0 PLC ± -		PRODUCT SPEC	-		
1 PLC ± -		APPLICATION SPEC	-		
2 PLC ± -		WEIGHT	-		
3 PLC ± -		SIZE	CAGE CODE	DRAWING NO	RESTRICTED TO
4 PLC ± -		SEE TABLE	A3	00779	C=1337583
ANGLES ± -		FINISH	-		
-		SCALE	NTS	SHEET	2 OF 2
-		CUSTOMER DRAWING	REV E2		