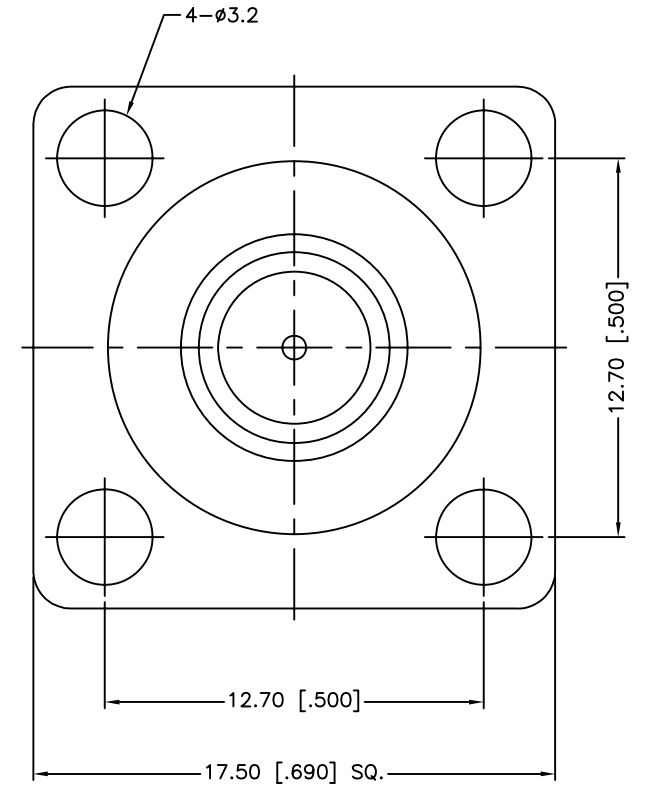
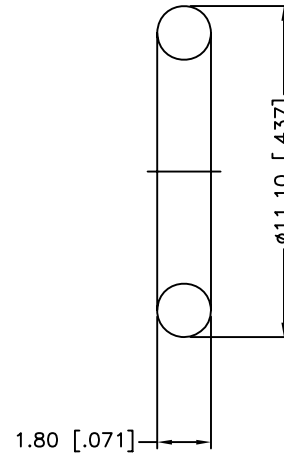
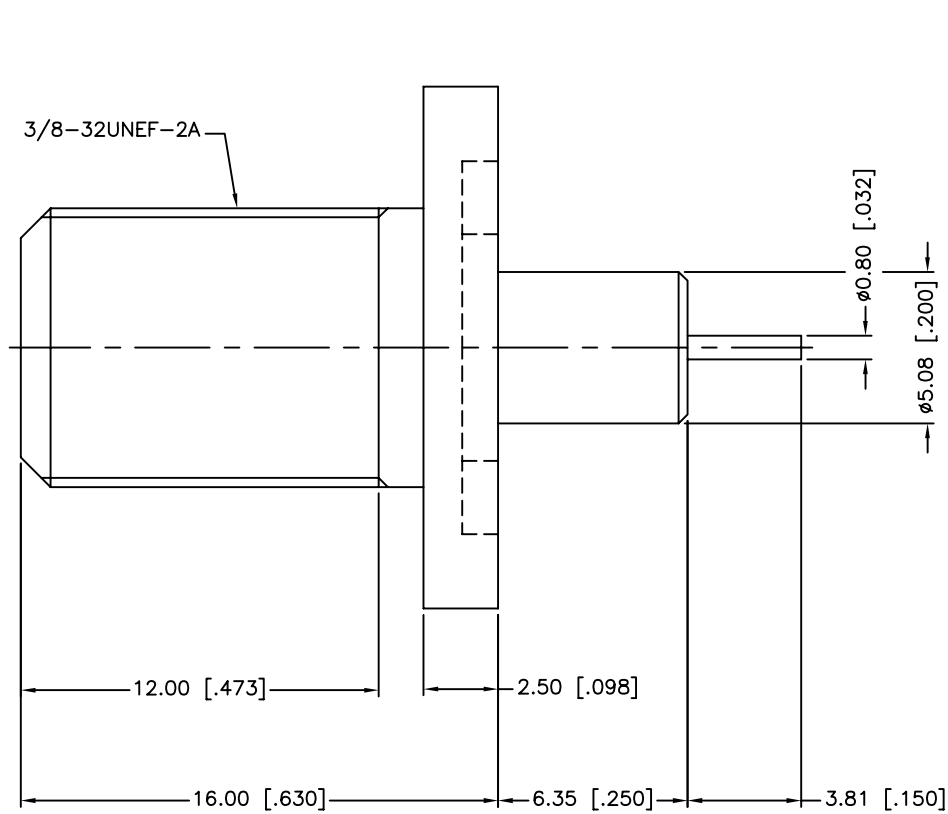


REV.	DATE	ECR NO.	DESCRIPTION
NC	10/16/09	XXXXXX	INITIAL RELEASE



CENTER CONTACT TO ACCEPT ϕ .022 TO ϕ .042 PIN [ϕ 0.56 TO ϕ 1.07]

6	LOCK RING	BRASS	NICKEL	1
5	GASKET	SILICONE	RED	1
4	INSULATOR	PTFE	NATURAL	1
3	CONTACT PIN	BRASS	BRIGHT TIN	1
2	INSULATOR	PTFE	NATURAL	1
1	BODY	BRASS	NICKEL	1
	DESCRIPTION	MATERIAL	FINISH	QTY

UNLESS OTHERWISE SPECIFIED DIMENSIONS ARE IN MILLIMETERS. DIMENSIONS IN [] ARE IN INCHES AND FOR CUSTOMER REFERENCE ONLY.

UNLESS OTHERWISE SPECIFIED TOLERANCES FOR MILLIMETERS ARE:
0.5 - 8mm \pm 0.20mm
8 - 30mm \pm 0.40mm
30 - 120mm \pm 0.50mm

UNLESS OTHERWISE SPECIFIED TOLERANCES FOR INCHES ARE:
.020 - .315 = \pm 0.007"
.315 - 1.180 = \pm 0.015"
1.180 - 4.724 = \pm 0.020"

DO NOT SCALE DRAWING

APPROVALS	DATE
DRAWN M.ZHANG	10/16/09
CHECKED	
ISSUED	
SHEET 1 OF 1	
CAD FILE	
C:/CONNEX/222146.DWG	

Amphenol Connex			
PART DESCRIPTION F PANEL JACK			
PART NO. 222146			
DWG. NO.	222146.DWG	REV.	NC
SIZE	A	SCALE	NA