

OPTIREG™ Switcher TLF51801

How to use the TLF51801 demo board

About this document

Scope and purpose

This document describes how to use the OPTIREG™ Switcher TLF51801 demo board.
Please refer to data sheet for additional information.

Table of Contents

	About this document	1
	Table of Contents	2
1	Abstract	3
2	Description	4
2.1	Operating conditions	4
2.2	Quick Start	4
2.3	Demo board description	5
2.4	Adjustment of output voltage V_{OUT} and external Bootstrap Diode	7
2.5	Current limitation configurations	9
2.6	Input filter	11
3	Restrictions	11
4	Revision History	12

Abstract

1 Abstract

The following application note shall enable the user to operate the TLF51801ELV demo board. The TLF51801ELV is a Step-Down controller with external power stage, capable to deliver 10 A or more (depending on Mosfets of external power stage) and adjustable output voltage.

The board is equipped with a TLF51801ELV, it is preset to 5 V output voltage, current limitation is set to ~5 A. Current limitation may be done via shunt resistor or via $R_{\text{DS(on)}}$ measurement of highside Mosfet, the board offers both possibilities. The board is preadjusted for shunt current limitation.

The board offers the possibility to modify the schematic. Please refer to the [data sheet](#) for more information.

Note: The following information is given as a hint for the implementation of our devices only and shall not be regarded as a description or warranty of a certain functionality, condition or quality of the device.

Description

2 Description

2.1 Operating conditions

The typical operating conditions of the demo board are listed in [Table 1](#).

Table 1 Typical operating conditions¹⁾

Parameter	Pin	Operating conditions			Unit	Note
		Min.	Typ.	Max.		
Board supply voltage	Vs	6	12	40	V	power supply
Output voltage ²⁾	Vcc	0	5.6	10	V	limited by output capacitor voltage rating
Enable input signal	EN	0	-	5	V	enables or disables the switcher
Output current	Ivcc	0	-	5	A	limited by inductor saturation current

1) The demo board operates at an ambient temperature of up to 85°C

2) Output voltage default preset to 5.6V

2.2 Quick Start

The following figure shows how to connect the application board for operation

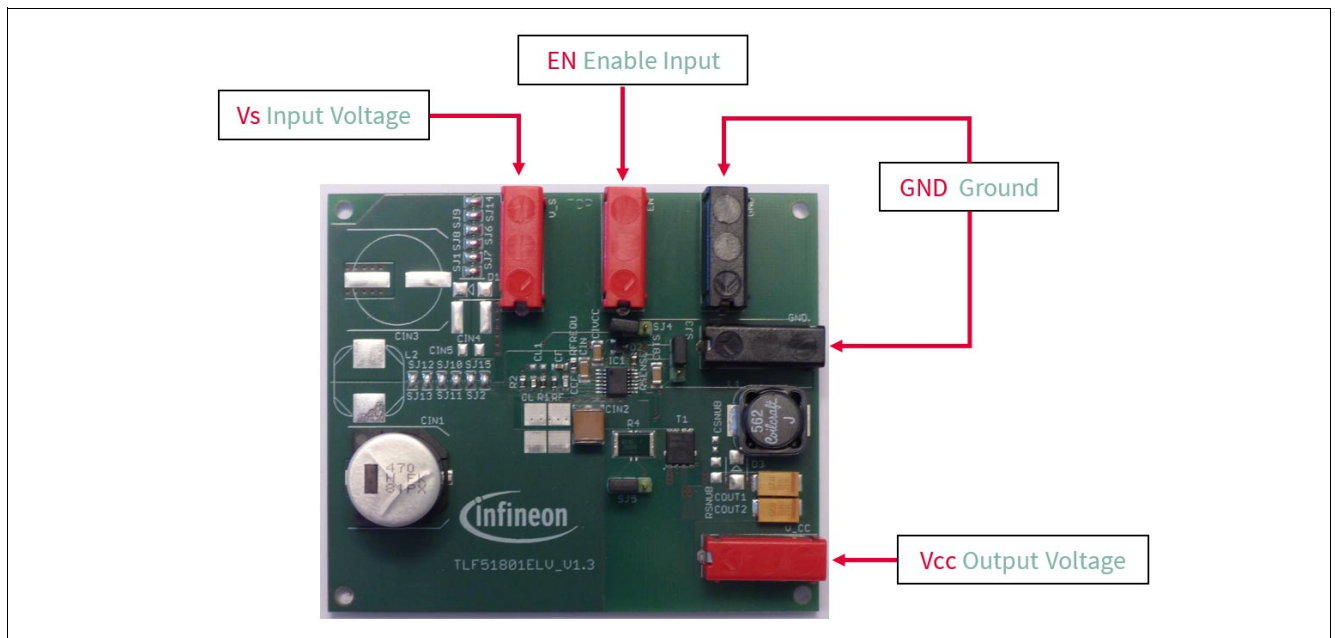


Figure 1 Quick Start - How to connect the demo board

Description

2.3 Demo board description

A TLF51801ELV demo board is used to demonstrate the behavior of the device.

The demo board is supplied by a laboratory power supply with variable input voltage, the output is connected to a resistive load. The following figures show the schematic and the bill of material of the demo board.

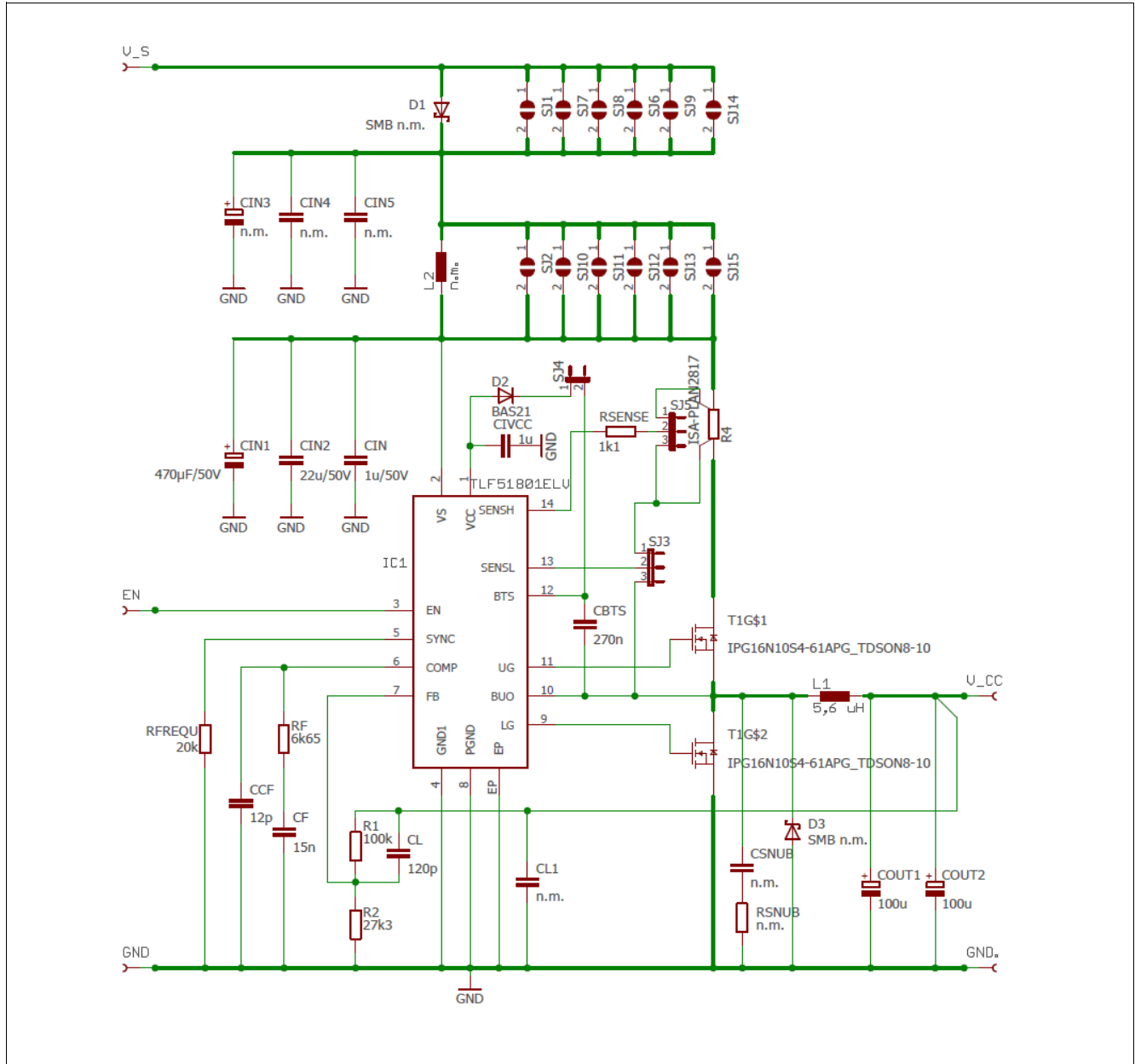


Figure 2 Demoboard schematic

Description

Ref	Value	Manufacturer	Part number	Type	Qty
L1	5.6μH	Coilcraft	MSS1278-562MLD	Inductor	1
T1	N-ch, 100V, 61mΩ	Infineon	IPG16N10S4-61A	Transistor	1
C_{OUT1}, C_{OUT2}	100μF – 100mΩ ESR	Kemet	T495D107K010ATE100	Capacitor, Tantal 10V	2
C_{IN2}	22μF	Murata	KRM55TR71H226MH01K	Capacitor, X7R 50V	1
C_{IN1}	470μF	Panasonic	EEV-FK1H471M	Capacitor, Al 50V	1
R_{FREQU}	20kΩ	Panasonic	ERJ3EKF2002V	Resistor, 1% 0.1W	1
R₁	100kΩ	Vishay	CRCW0603100KFK	Resistor, 1% 0.1W	1
R₂	27.3kΩ	Panasonic	ERJ3EKF2742V	Resistor, 1% 0.1W	1
R_F	6.65kΩ	Vishay	CRCW06036K65FKEA	Resistor, 1% 0.1W	1
R_{SENSE}	1.1kΩ	Panasonic	ERJ3EKF1101V	Resistor, 1% 0.1W	1
R₃	10mΩ	Isabellenhuetten	SMS-R010-1.0	Resistor, 1% 3W	1
C_{CF}	12pF	Kemet	C0603C120J5GACTU	Capacitor, C0G	1
C_L	120pF	Kemet	C0603C121J5GACTU	Capacitor, C0G	1
C_F	15nF	Kemet	C0603C153K5RACTU	Capacitor, X7R 50V	1
C_{IVCC}	1μF	Kemet	C1206X105K5RECAUTO	Capacitor, X7R 50V	1
C_{IN}	1μF	Kemet	C1206C105K4RACTU	Capacitor, X7R 16V	1
C_{BTS}	270nF	AVX	12065C274KAT2A	Capacitor, X7R 50V	1
D₂	-	Infineon	BAS21	Diode	1

Figure 3 Demoboard bill of materials

Description

2.4 Adjustment of output voltage V_{OUT} and external Bootstrap Diode

The output voltage of the demo board is adjustable in the range 1.2 V up to $D_{max} * V_S$ varying the ratio between R1 and R2 (both marked within yellow frame):

$$V_{OUT} = \frac{R_1 + R_2}{R_2} V_{FB}, \quad V_{FB} = 1.2V$$

Figure 4 Equation for adjusting the output voltage Vout

Various examples for generating different output voltage configurations with respective resistor values are shown in **Figure 5**.

Vcc	R1	R2
2.5V	100kΩ	92kΩ
3.3V	100kΩ	56.9kΩ
5V	100kΩ	31.6kΩ
5.6V	100kΩ	27kΩ
6.5V	100kΩ	22.6kΩ

Figure 5 Output voltage adjustment resistor examples

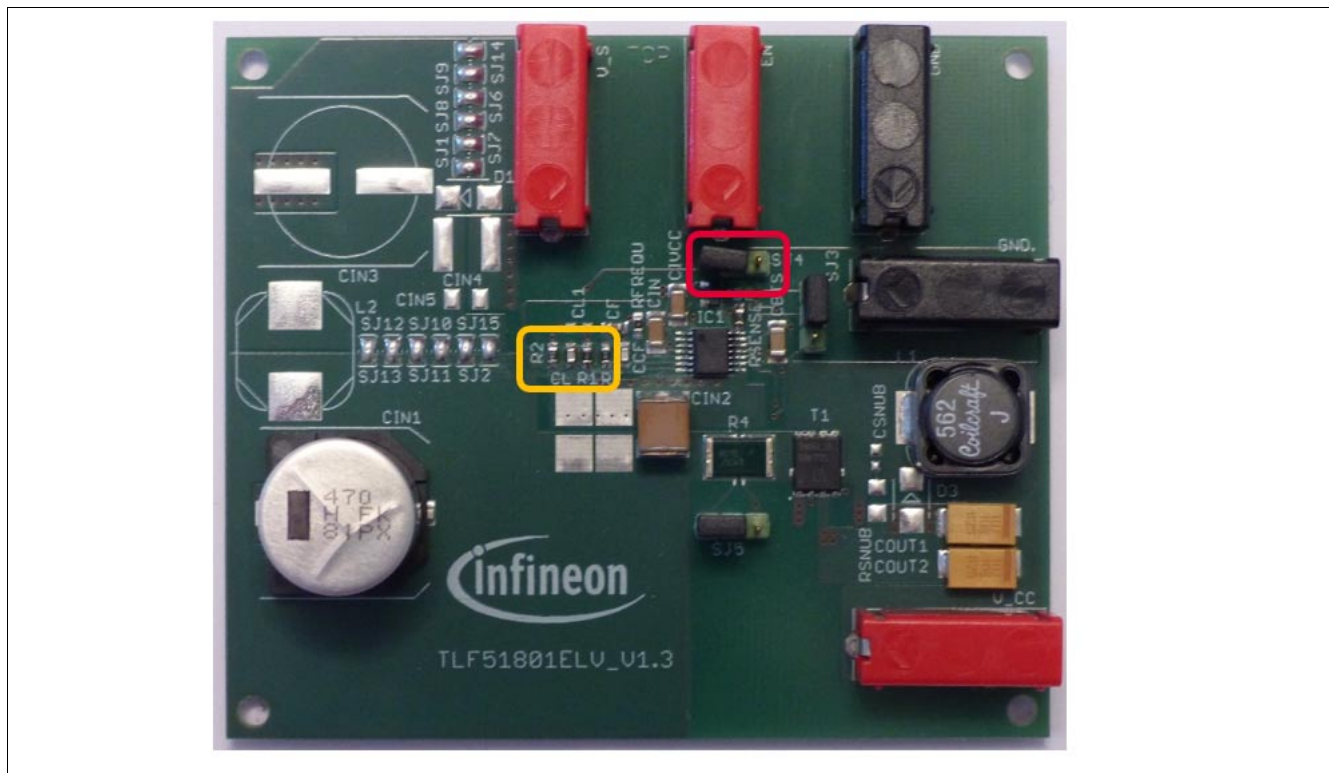


Figure 6 Adjustment of V_{OUT} and external BTS diode

Beside the internal bootstrap diode there is the possibility to run the device up to ~ 99% duty cycle just using an external BTS diode (Schottky). The place is marked by a red frame.

Description

If a very high duty cycle is not needed please remove the short on SJ4 between 1 and 2 (marked with red frame, please refer also to figure 2 schematic. In this case the device will run at maximum 91% duty cycle.

For more details please refer to the [data sheet](#).

Description

2.5 Current limitation configurations

The TLF51801ELV permits to implement the current limitation adopting two methods:

Via Shunt resistor: This method is more precise but requires area on the PCB and an additional component.

Via of the $R_{DS(ON)}$ high side Mosfet: Less precise but cost-effective solution and efficiency optimization.

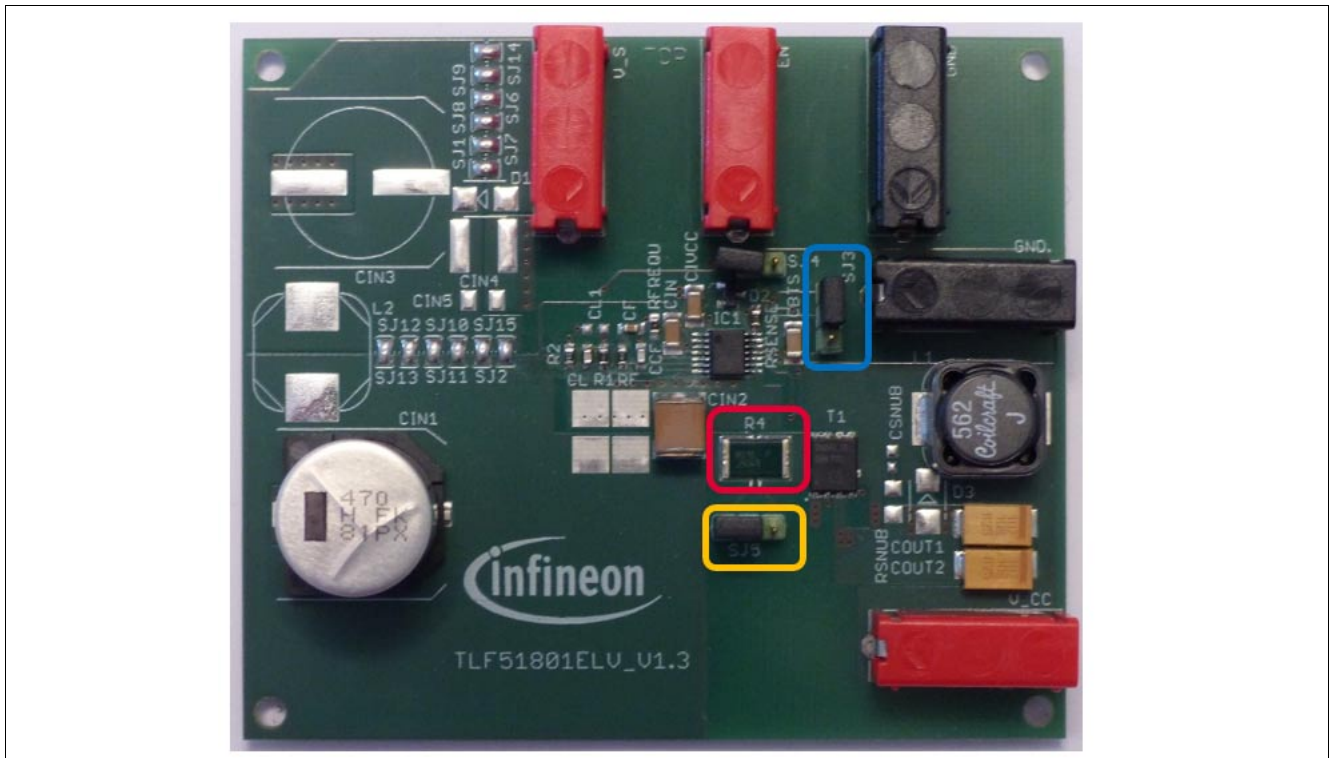


Figure 7 Current limitation via shunt resistor

The demo board is equipped with a shunt resistor R4 (red frame), allowing the user to test the shunt resistor method for the current limitation. The shunt resistor is located in series to the drain of the high side Mosfet (please refer to data sheet for detailed explanation).

Please mount the desired shunt resistor and connect SJ5 (yellow frame) between 1 and 2 and SJ3 (blue frame) between 1 and 2- please refer to figure 2 schematic.

Please note that the demo board is configured in shunt resistor current limitation configuration.

Description

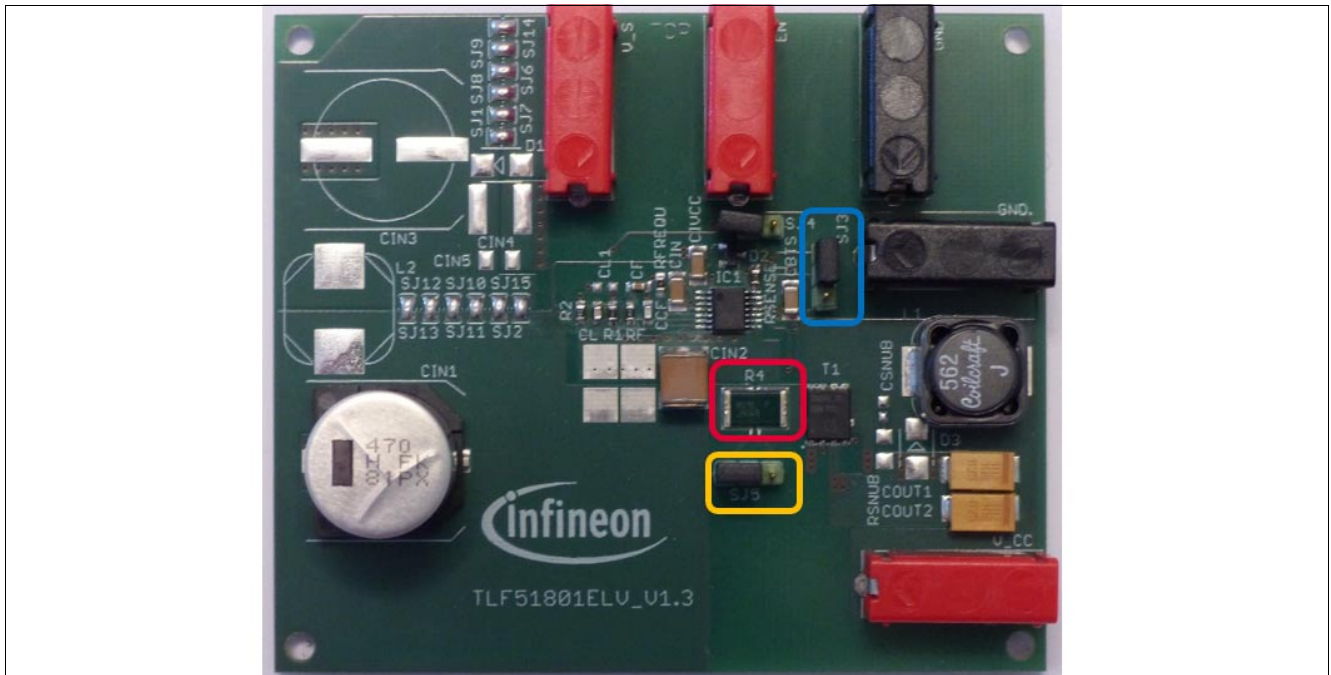


Figure 8 Current limitation via R_{DSON}

The demo board allows the user to test the R_{DSON} method for the current limitation. The built-in R_{DSON} of the high side Mosfet is used together with the R_{SENSE} to create the voltage divider (please refer to data sheet for detailed explanation).

Please bypass the shunt resistor simply connecting SJ5 (yellow frame) between 2 and 3 and SJ3 (blue frame) between 2 and 3 - please refer to figure 2 schematic.

Remove the shunt resistor (red frame) in series to the drain of the high side Mosfet.

Restrictions

2.6 Input filter

If needed there is the possibility foreseen to mount an input filter on the demo board, the mounting area is shown by red frame.

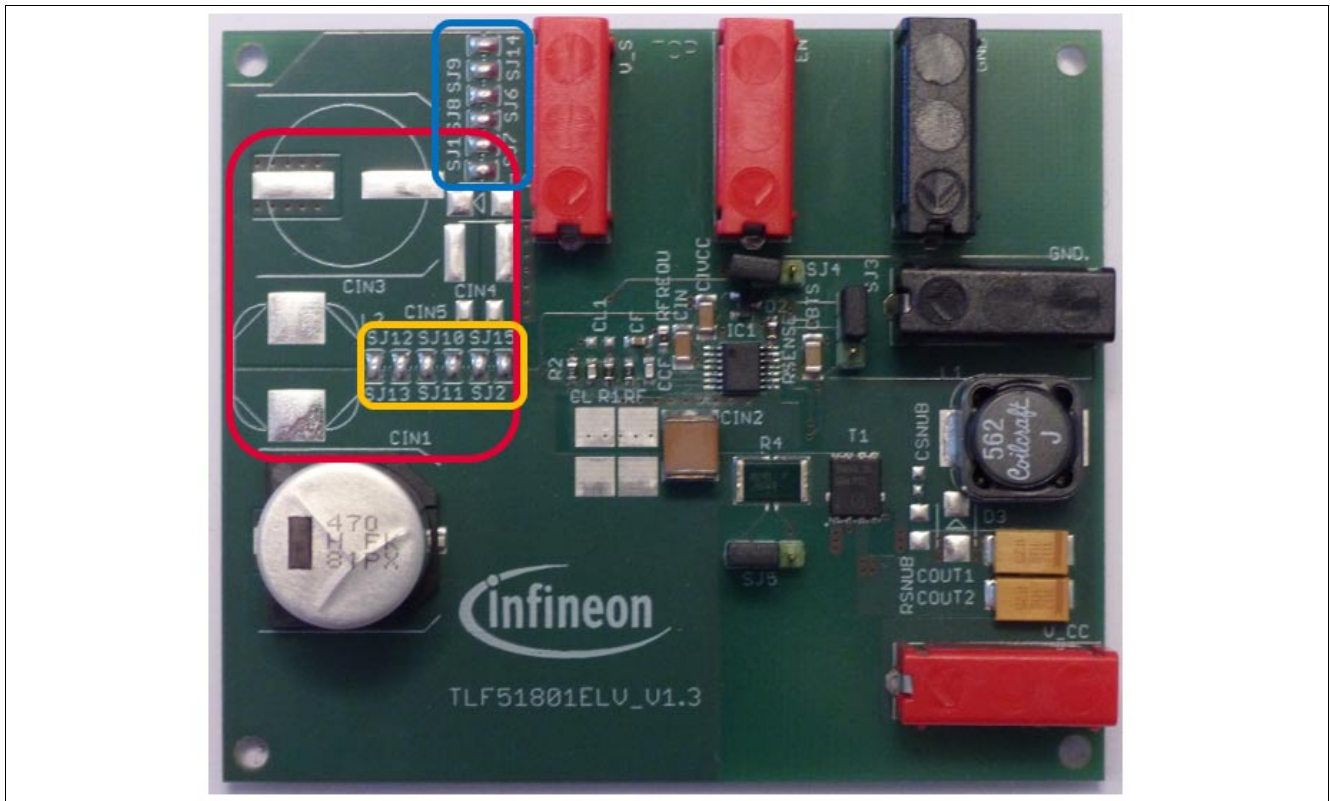


Figure 9 Input filter

If the input filter is not mounted please connect the jumpers in the blue and in the yellow frame between 1 and 2 - please refer to figure 2 schematic.

The demo board is preset for testing without input filter.

3 Restrictions

This Demoboard offers limited features only for evaluation and testing of Infineon products. The Demoboard is not an end product or finished appliance, nor is it intended or authorized by Infineon to be integrated into end products. The Demoboard may not be used in any production system.

For further information please contact www.infineon.com.

Revision History

4 Revision History

Revision	Date	Changes
1.1	2019-04-04	Updated Application Note to reflect newest version of the demobard
1.0	2018-08-01	Application Note created.

Trademarks of Infineon Technologies AG

All referenced product or service names and trademarks are the property of their respective owners.

Edition 2019-04-04

Published by

Infineon Technologies AG

81726 Munich, Germany

© 2019 Infineon Technologies AG.

All Rights Reserved.

Do you have a question about any aspect of this document?

Email: erratum@infineon.com

Document reference

Z8F62791010

IMPORTANT NOTICE

The information contained in this application note is given as a hint for the implementation of the product only and shall in no event be regarded as a description or warranty of a certain functionality, condition or quality of the product. Before implementation of the product, the recipient of this application note must verify any function and other technical information given herein in the real application. Infineon Technologies hereby disclaims any and all warranties and liabilities of any kind (including without limitation warranties of non-infringement of intellectual property rights of any third party) with respect to any and all information given in this application note.

The data contained in this document is exclusively intended for technically trained staff. It is the responsibility of customer's technical departments to evaluate the suitability of the product for the intended application and the completeness of the product information given in this document with respect to such application.

For further information on technology, delivery terms and conditions and prices, please contact the nearest Infineon Technologies Office (www.infineon.com).

WARNINGS

Due to technical requirements products may contain dangerous substances. For information on the types in question please contact your nearest Infineon Technologies office.

Except as otherwise explicitly approved by Infineon Technologies in a written document signed by authorized representatives of Infineon Technologies, Infineon Technologies' products may not be used in any applications where a failure of the product or any consequences of the use thereof can reasonably be expected to result in personal injury.