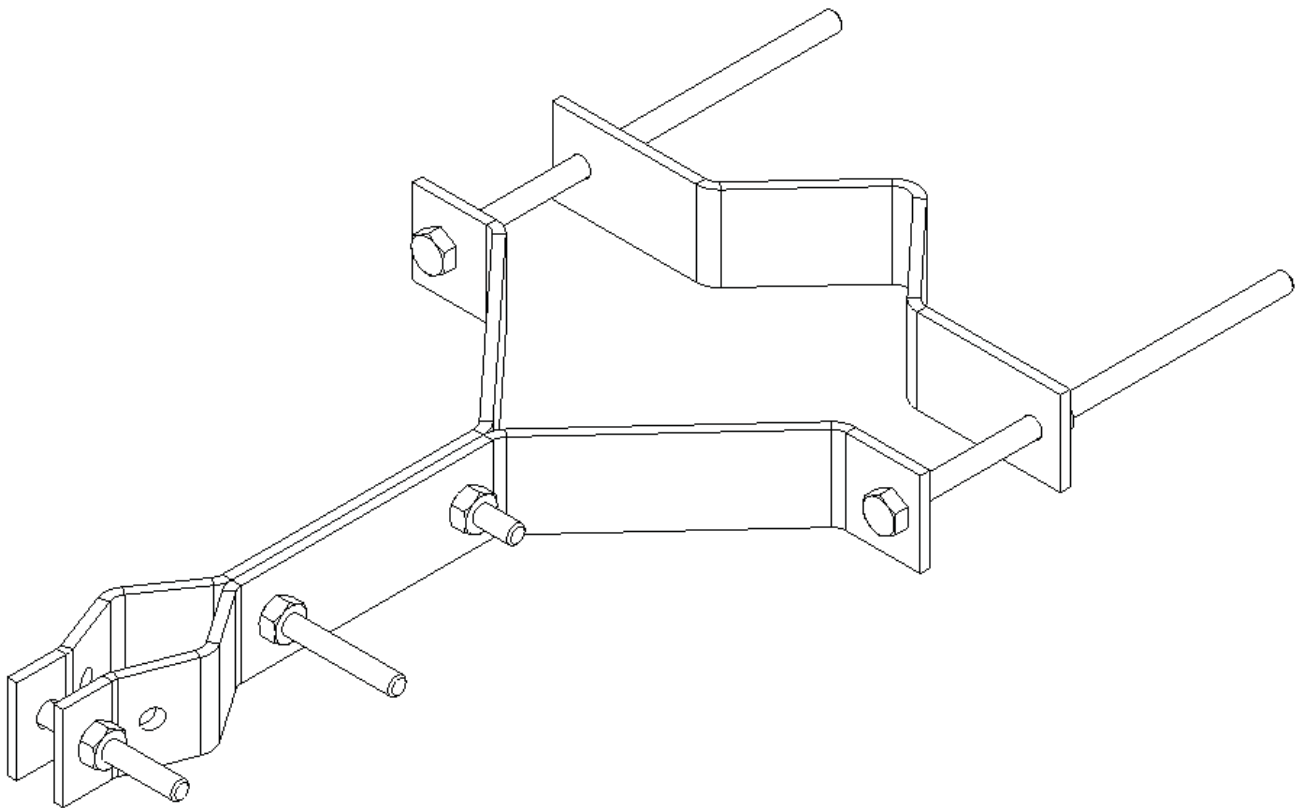


WMP

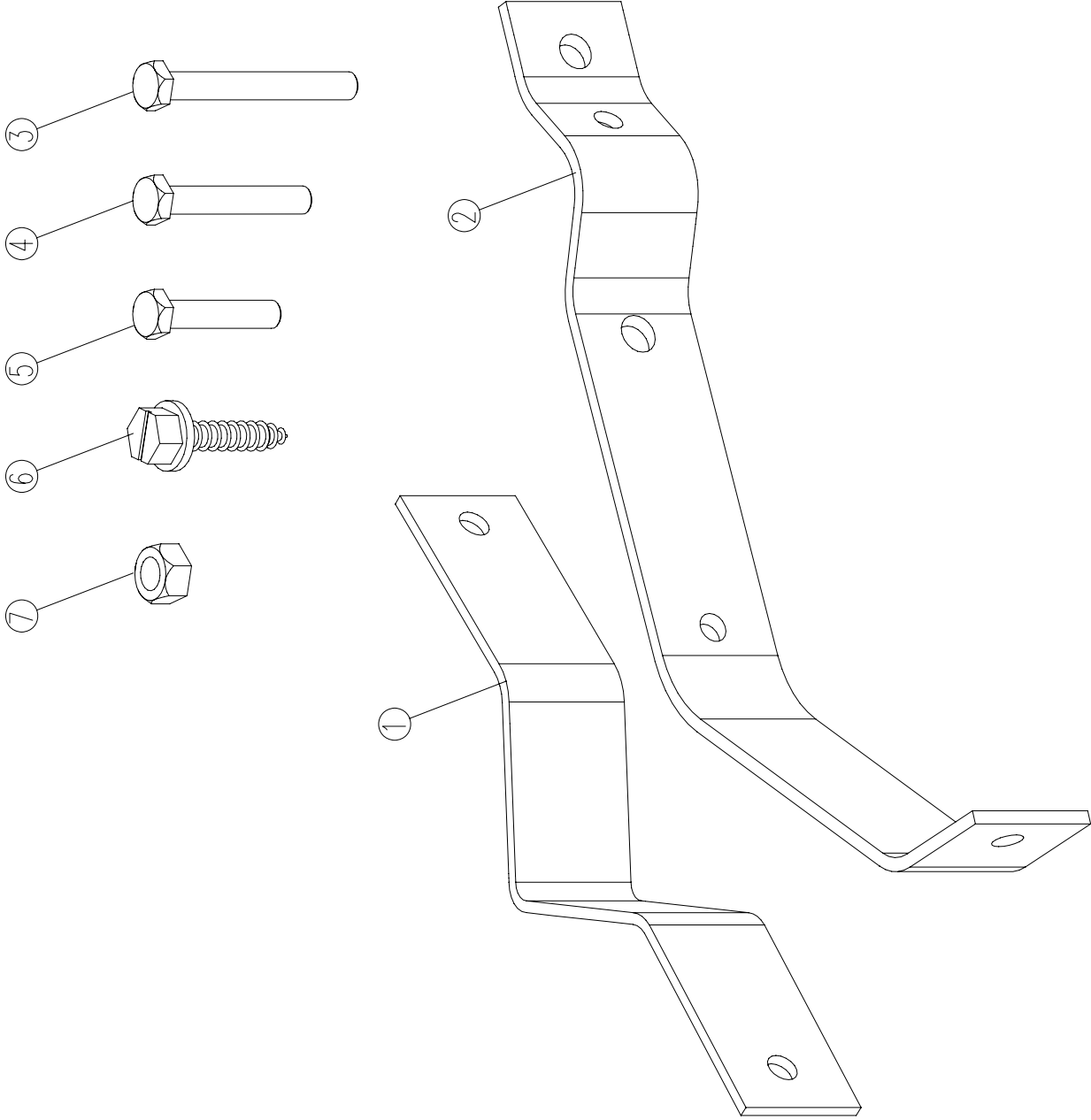
VIDEO MOUNT PRODUCTS

Instruction Sheet For:

P-6



For more information, please contact us at:
345 Log Canoe Circle, Stevensville, Maryland 21666
Toll Free: 877.281.2169 Phone: 410.643.6390 Fax: 410.643.6615
www.videomount.com



*** P-6 ***

1	PLATE A	2
2	PLATE B	4
3	SCREW 1/4"*5-1/2"	4
4	SCREW 1/4"*2"	4
5	SCREW 1/4"*1"	2
6	SCREW $\phi 6 \times L19$	2
7	NUT 1/4"-20UNC	10

VMP
VIDEO MOUNT PRODUCTS

Step 1

Before starting, lay out all parts to your mount and match them to the parts list provided. Verify that you have all your parts before attempting to assemble the mount. *Note: It is highly recommended that the installation of the mount be done by a professional.*

Step 2

Create Y shapes by taking two Plate Bs (2) and using the 1" long screw (5) and 2" long screw (4) in the hole shown in the diagram with hex nuts (7).

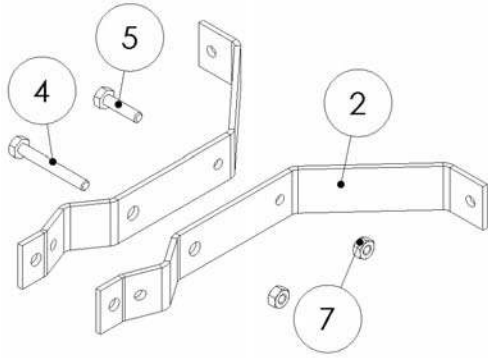
Step 3

Attach the Y shapes to the vent pipe by pressing the V to the pipe and placing Plate A (1) on the back side of the vent pipe. Then use the 5 1/2" long screws (3) and hex nuts (7) to clamp the Y shapes and Plate As to the vent pipe. *Note: Place the other support as far away from the first support as possible to give the antenna mast more stability. WARNING: Please verify your mounting surface will support the combined weight of your mount, mounting hardware and antenna. If in doubt, please contact a professional installer.*

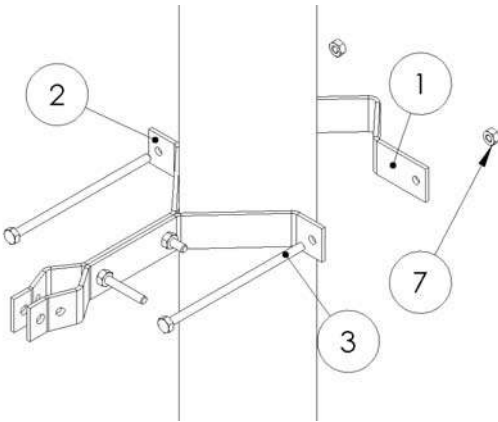
Step 4

Insert the antenna mast into the open mouth on the Y shapes. Use the remaining 2" long screws (4) and hex nuts (7) to clamp the antenna mast in place.

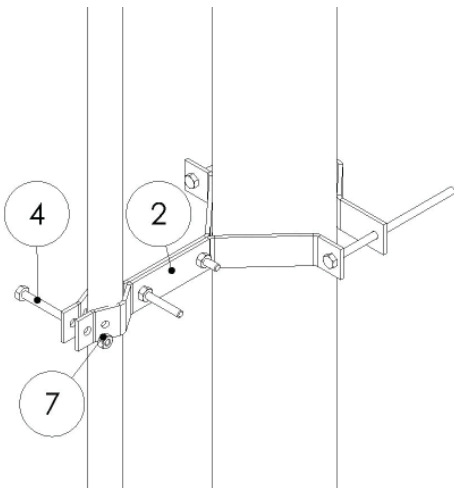
Please verify that all nuts and screws are securely tightened.



Step 2: Attaching the welded bracket to the top plate



Step 3: Attaching the top plate to the mounting surface



Step 4: Clamping the antenna mast in place

WMP
VIDEO MOUNT PRODUCTS

Enjoy Your Mount!

WARNING: The installer must verify the installation meets all applicable codes and survival requirements. Video Mount Products will not be held liable for the improper use or installation of its products.