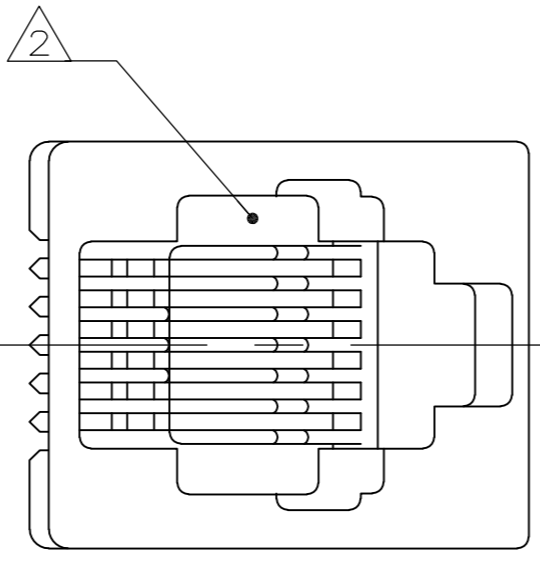


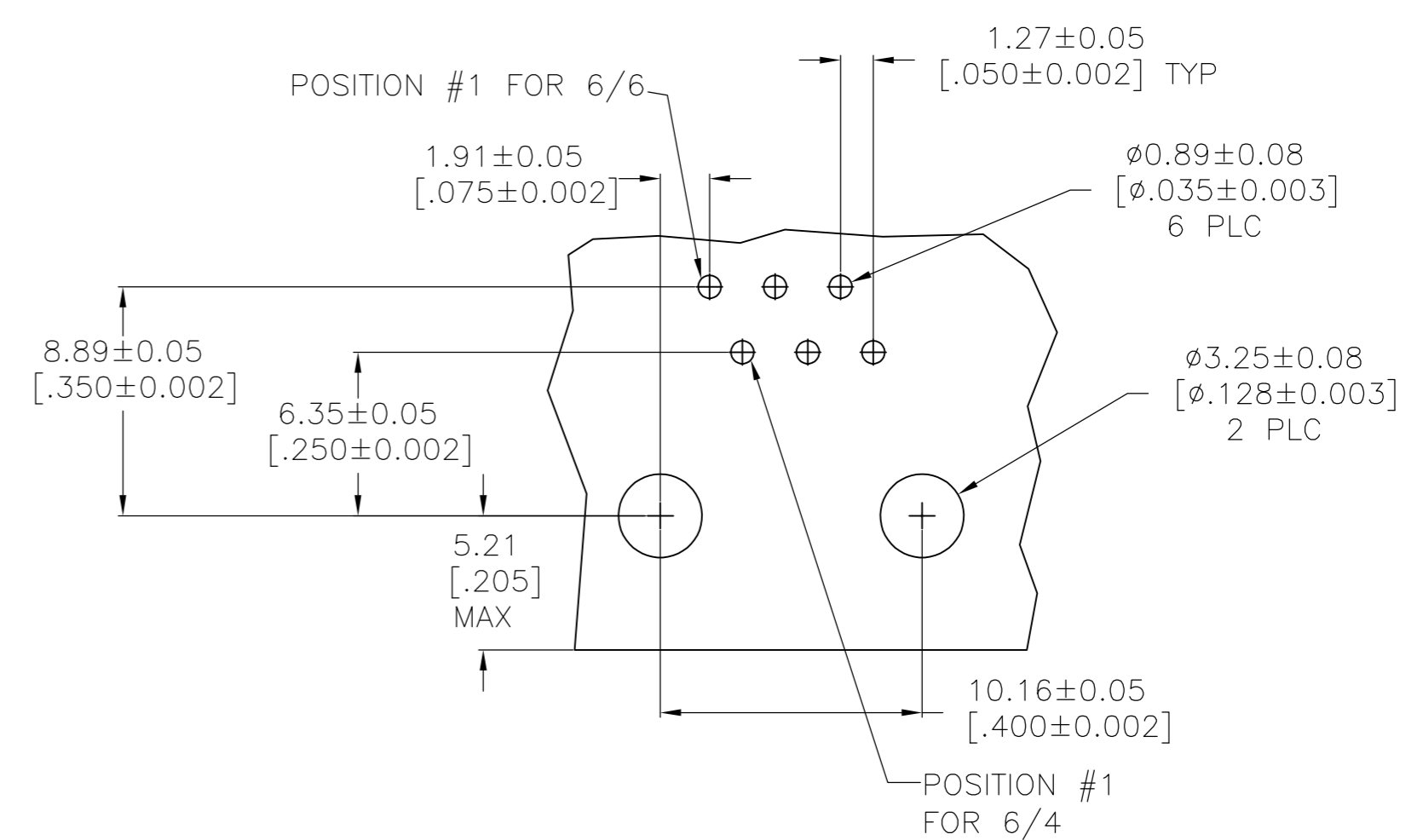
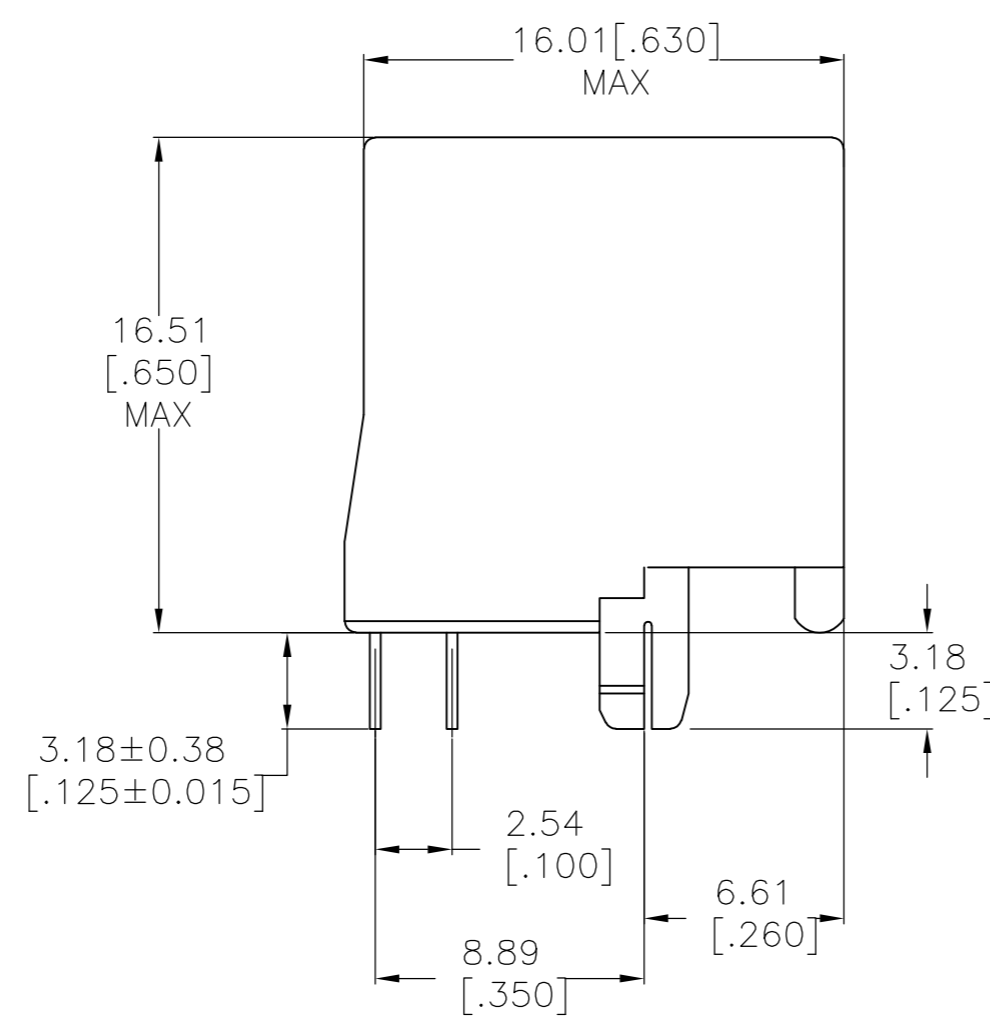
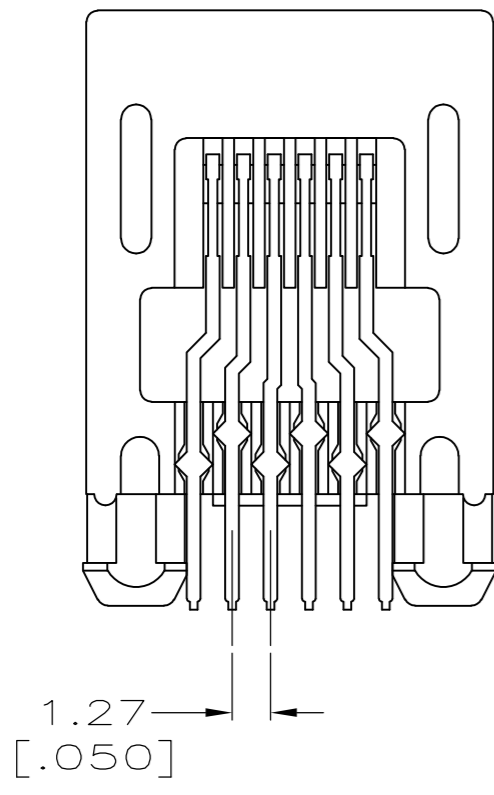
THIS DRAWING IS UNPUBLISHED. RELEASED FOR PUBLICATION
 © COPYRIGHT - By - ALL RIGHTS RESERVED.

LOC	DIST	REVISIONS					
AA	00	P	LTR	DESCRIPTION	DATE	DWN	APVD
		D1		REVISED PER ECO-11-005140	28MAR11	RK	HMR

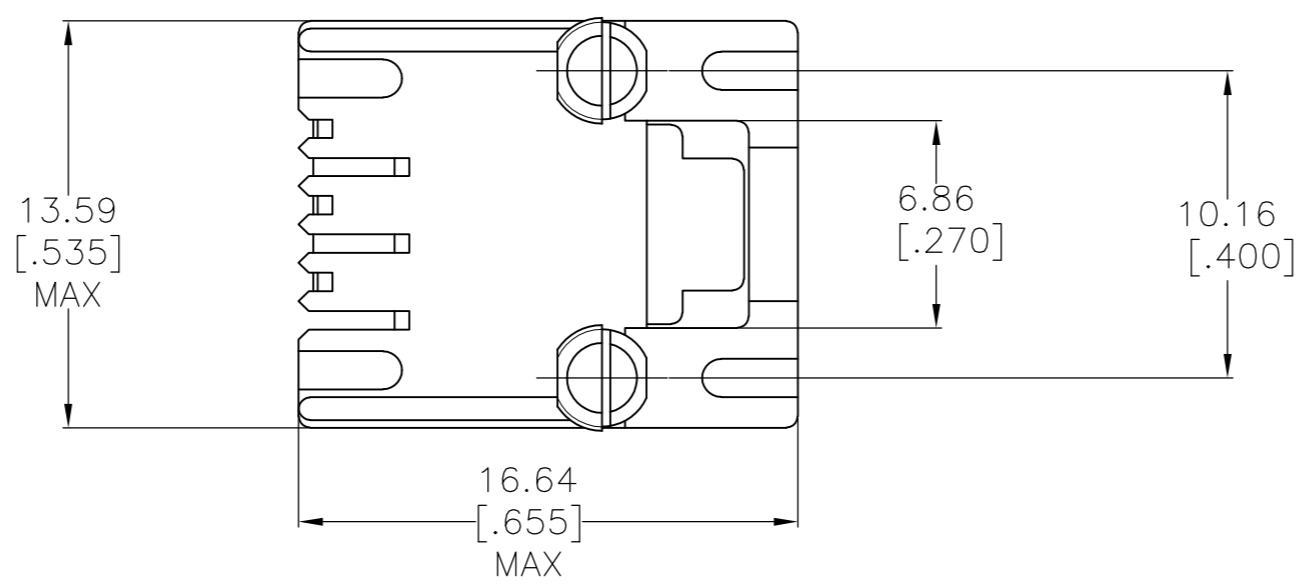


1. MATERIAL:
 HOUSING - PBT POLYESTER, COLOR: BLACK.
 TERMINAL - PHOS BRONZE PLATED WITH 1.27μm [.000050] THICK HARD GOLD IN LOCALIZED GOLD PLATE AREA AND 2.03μm [.000080] THICK MATTE TIN IN SOLDER AREA OVER 1.27μm [.000050] THICK NICKEL UNDERPLATE.

- ⚠ CAVITY CONFORMS TO FCC RULES AND REGULATIONS PART 68 AND REA BULLETIN 345-.81 PE-76 SPECIFICATION FOR MODULAR TELEPHONE HARDWARE.
- ⚠ BULK PACKAGED IN A TRAY
- ⚠ 34 ASSEMBLIES PACKAGED IN A TUBE.



PRINTED CIRCUIT BOARD LAYOUT COMPONENT SIDE



SUPERSEDED BY	REVISION	DESCRIPTION	PART NUMBER
-3	4	6	5520425-4
	3	6	5520425-3
	3	4	5520425-2
		PACKAGED	TERMINALS
			PART NUMBER

THIS DRAWING IS A CONTROLLED DOCUMENT.		DWN	L.A.MAYER	16AUG2007	 TE Connectivity	MODULAR JACK ASSEMBLY, TOP ENTRY, 6 POSITION, WITHOUT PANEL STOPS	
DIMENSIONS: mm [INCHES]		CHK	P.RECCE	16AUG2007		NAME	
TOLERANCES UNLESS OTHERWISE SPECIFIED:		APVD	S.FLICKINGER	16AUG2007		PRODUCT SPEC	
0 PLC ± - 1 PLC ± - 2 PLC ± 0.13 [.005] 3 PLC ± - 4 PLC ± - ANGLES ± -		APPLICATION SPEC		108-1163		SIZE	CAGE CODE
MATERIAL		FINISH		WEIGHT		DRAWING NO	
SEE NOTE 1		SEE NOTE 1		-		114-2048	
		CUSTOMER DRAWING		SCALE		SHEET	
				4:1		1 OF 1	
						REV D1	