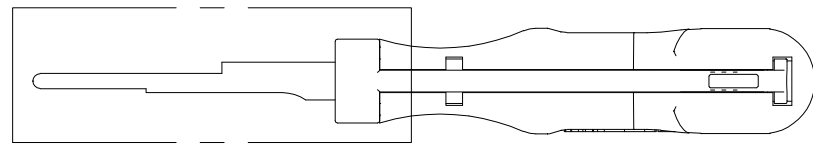
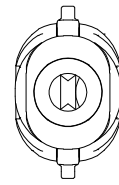
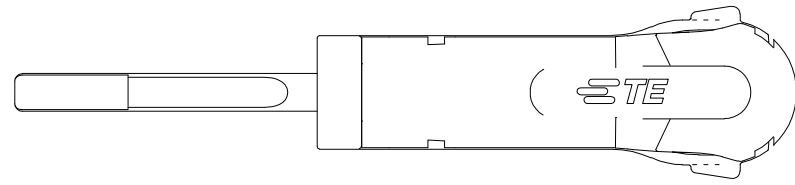


THIS DRAWING IS UNPUBLISHED.

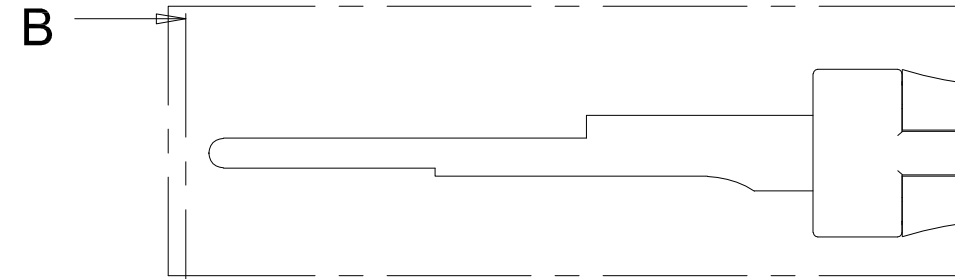
RELEASED FOR PUBLICATION

© COPYRIGHT - BY TYCO ELECTRONICS CORPORATION. ALL INTERNATIONAL RIGHTS RESERVED.

| LOC | DIST | REVISIONS | | | | | |
|-----|------|-----------|-----|---------------|---------|-----|------|
| | | P | LTR | DESCRIPTION | DATE | DWN | APVD |
| - | - | A1 | | ECR-17-009674 | 04JUL17 | MG | BM |



A

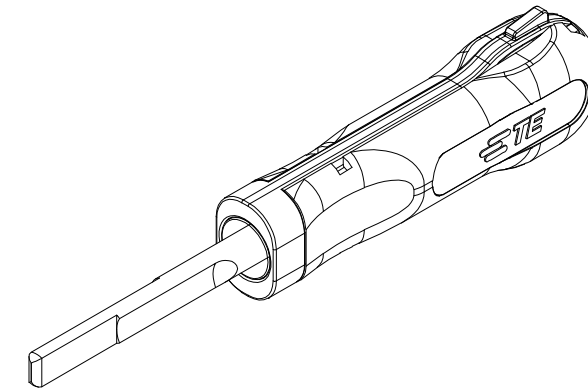
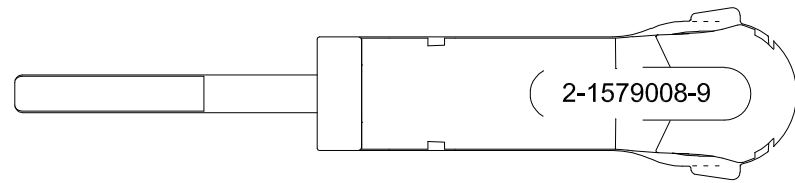


B

A
2:1



B-B
2:1



FOR CONTACTS / HOUSINGS:

8 mm MTA

| | | | | | | | |
|--|--|--|------------|------------------|----------------------------|---------------|--|
| THIS DRAWING IS A CONTROLLED DOCUMENT. | | DWN | 06.11.2006 | | STE TE Connectivity | | |
| | | CHK | m.pearson | | | | |
| DIMENSIONS: | | TOLERANCES UNLESS OTHERWISE SPECIFIED: | | NAME | | | |
| mm | | | | EXTRACTION TOOL | | | |
| | | 0 PLC ± - | | PRODUCT SPEC | | | |
| | | 1 PLC ± - | | APPLICATION SPEC | | | |
| | | 2 PLC ± - | | SIZE | | | |
| | | 3 PLC ± - | | CAGE CODE | | | |
| | | 4 PLC ± - | | DRAWING NO | | | |
| | | ANGLES ± - | | RESTRICTED TO | | | |
| MATERIAL | | FINISH | | WEIGHT | | 0.027 kg | |
| | | | | A3 | | 00779 | |
| | | | | CUSTOMER DRAWING | | C-2-1579008-9 | |
| | | | | SCALE | | 1:1 | |
| | | | | SHEET | | 1 OF 1 | |
| | | | | REV | | A1 | |