

HC-M-B10-DOCK-H - Docking frame



1051204

<https://www.phoenixcontact.com/us/products/1051204>

Please be informed that the data shown in this PDF document is generated from our online catalog. Please find the complete data in the user documentation. Our general terms of use for downloads are valid.

Docking frame for 3 modules, fixed assembly, rack compensation of ± 2.0 mm in the x/y-axis



Product description

Docking frame, floating assembly, rack compensation of ± 2.0 mm in the x/y axis

Commercial data

| | |
|--------------------------------------|---------------|
| Item number | 1051204 |
| Packing unit | 1 pc |
| Minimum order quantity | 1 pc |
| Sales key | BF62 |
| Product key | BF7ACZ |
| GTIN | 4055626673028 |
| Weight per piece (including packing) | 79.4 g |
| Weight per piece (excluding packing) | 79.4 g |
| Customs tariff number | 85389099 |
| Country of origin | CN |

HC-M-B10-DOCK-H - Docking frame



1051204

<https://www.phoenixcontact.com/us/products/1051204>

Technical data

Product properties

| | |
|------------------------|--|
| Type | B10 |
| Product type | Docking frame |
| Application | Modular docking frame |
| Number of module slots | 3 |
| Series | HC-M-B HC-M-02 HC-M-03 HC-M-03/04 HC-M-04 HC-M-05 HC-M-06 HC-M-08 HC-M-08-GBIT HC-M-12 HC-M-17 HC-M-20 HC-M-25 HC-M-DSUB HC-M-EMV HC-M-HV HC-M-HS HC-M-00 |
| Frame type | Docking frames |

Material specifications

| | |
|----------|-------------------|
| Material | die-cast aluminum |
|----------|-------------------|

Mounting

| | |
|-----------------------|---|
| Mounting type | Direct mounting with flange |
| Assembly instructions | When using the module carrier frame in metal housings, the connection of the PE conductor must be ensured via the PE connection provided on the module carrier frame or via a special metal PE module |

HC-M-B10-DOCK-H - Docking frame

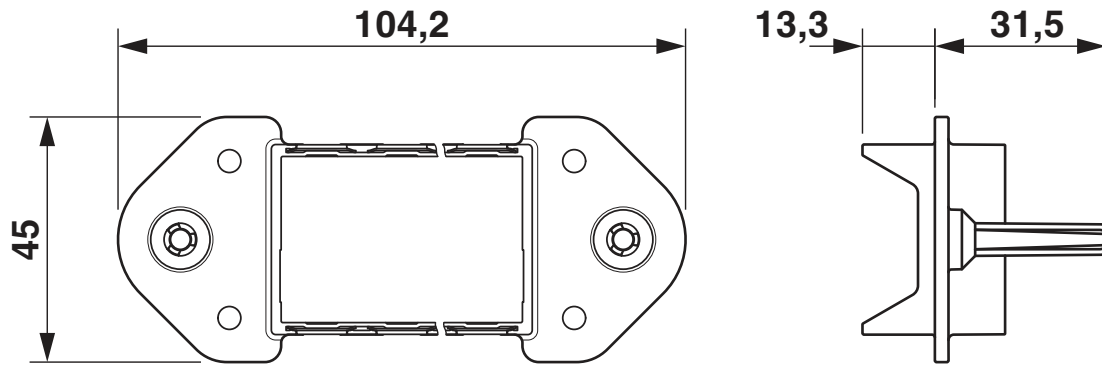


1051204

<https://www.phoenixcontact.com/us/products/1051204>

Drawings

Dimensional drawing



Dimensional drawing

HC-M-B10-DOCK-H - Docking frame



1051204

<https://www.phoenixcontact.com/us/products/1051204>

Classifications

ECLASS

| | |
|-------------|----------|
| ECLASS-11.0 | 27440206 |
| ECLASS-12.0 | 27440206 |
| ECLASS-13.0 | 27440206 |

ETIM

| | |
|----------|----------|
| ETIM 8.0 | EC002312 |
|----------|----------|

UNSPSC

| | |
|-------------|----------|
| UNSPSC 21.0 | 31261500 |
|-------------|----------|

HC-M-B10-DOCK-H - Docking frame



1051204

<https://www.phoenixcontact.com/us/products/1051204>

Environmental product compliance

| | |
|------------|---|
| China RoHS | Environmentally friendly use period: unlimited = EFUP-e No hazardous substances above threshold values |
|------------|---|

Phoenix Contact 2023 © - all rights reserved
<https://www.phoenixcontact.com>

Phoenix Contact USA
586 Fulling Mill Road
Middletown, PA 17057, United States
(+717) 944-1300
info@phoenixcon.com