

## Electronic housing - EG 22,5-A/ABS BU - 2764726

Please be informed that the data shown in this PDF Document is generated from our Online Catalog. Please find the complete data in the user's documentation. Our General Terms of Use for Downloads are valid (<http://phoenixcontact.com/download>)



Housing cover, for connection on both sides

Illustration shows the fully mounted version of the electronic housing, in green



### Key commercial data

Packing unit	1 pc
Weight per Piece (excluding packing)	7.42 GRM
Custom tariff number	85369010
Country of origin	Germany

### Classifications

#### eCl@ss

eCl@ss 4.0	27180401
eCl@ss 4.1	27180401
eCl@ss 5.0	27180506
eCl@ss 5.1	27180506
eCl@ss 6.0	27180802
eCl@ss 7.0	27182702
eCl@ss 8.0	27182702

#### ETIM

ETIM 2.0	EC001031
ETIM 3.0	EC001031
ETIM 4.0	EC001031
ETIM 5.0	EC001031

# Electronic housing - EG 22,5-A/ABS BU - 2764726

## Classifications

### UNSPSC

UNSPSC 6.01	31261501
UNSPSC 7.0901	31261501
UNSPSC 11	31261501
UNSPSC 12.01	31261501
UNSPSC 13.2	31261501

## Approvals

### Approvals

---

#### Approvals

UL Recognized

---


Ex Approvals

---

Approvals submitted

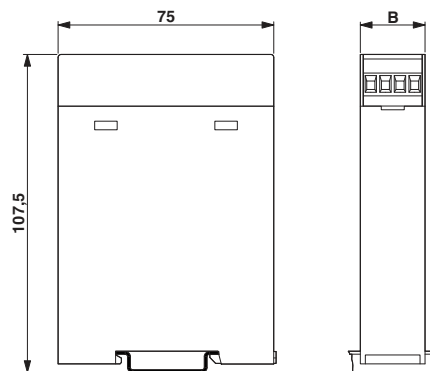
---

### Approval details

UL Recognized 

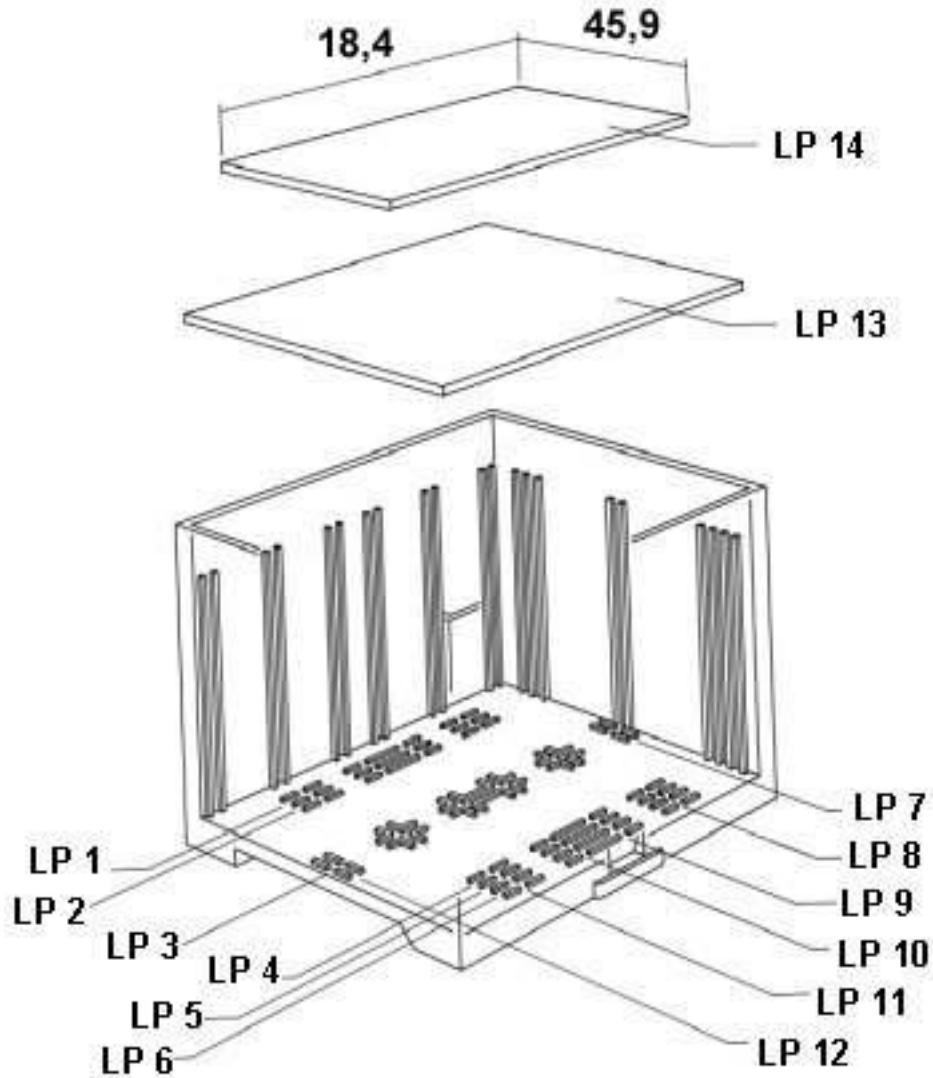
## Drawings

Dimensioned drawing



# Electronic housing - EG 22,5-A/ABS BU - 2764726

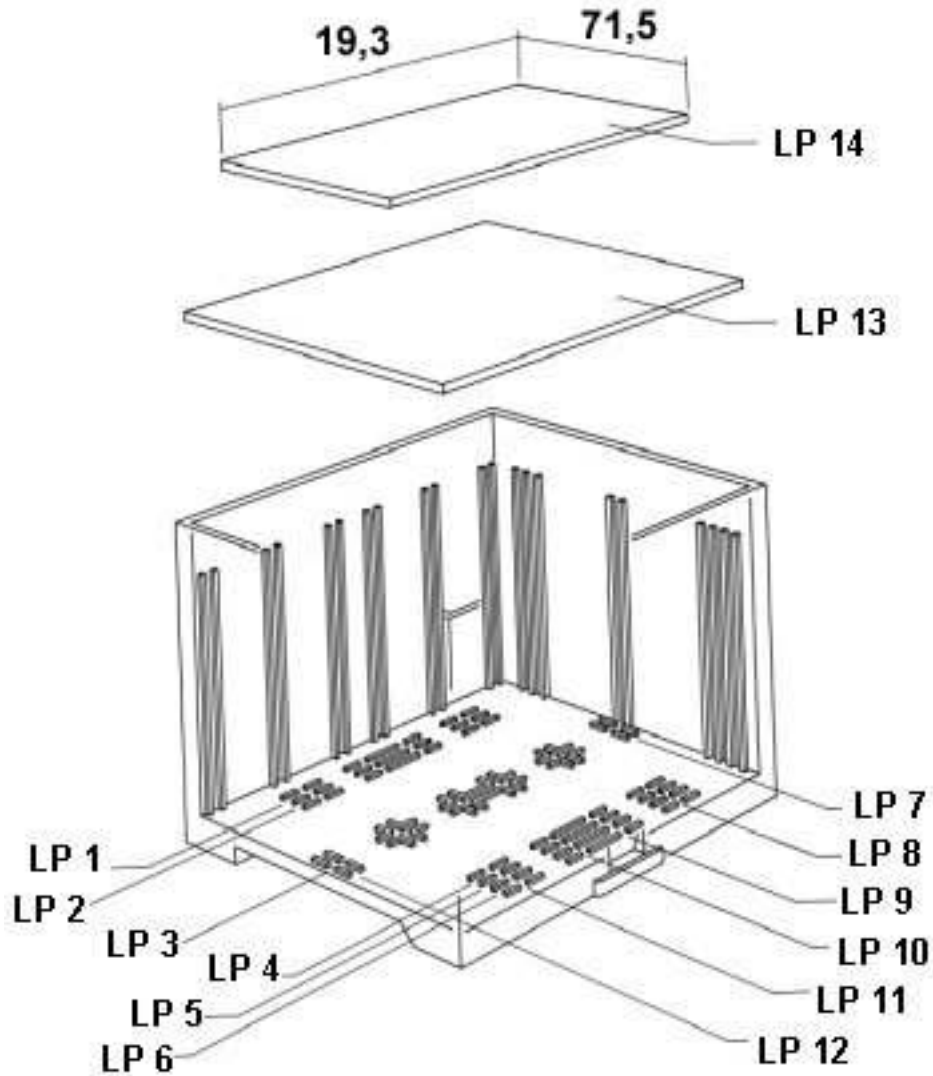
Explosion drawing



valid for PCB 14

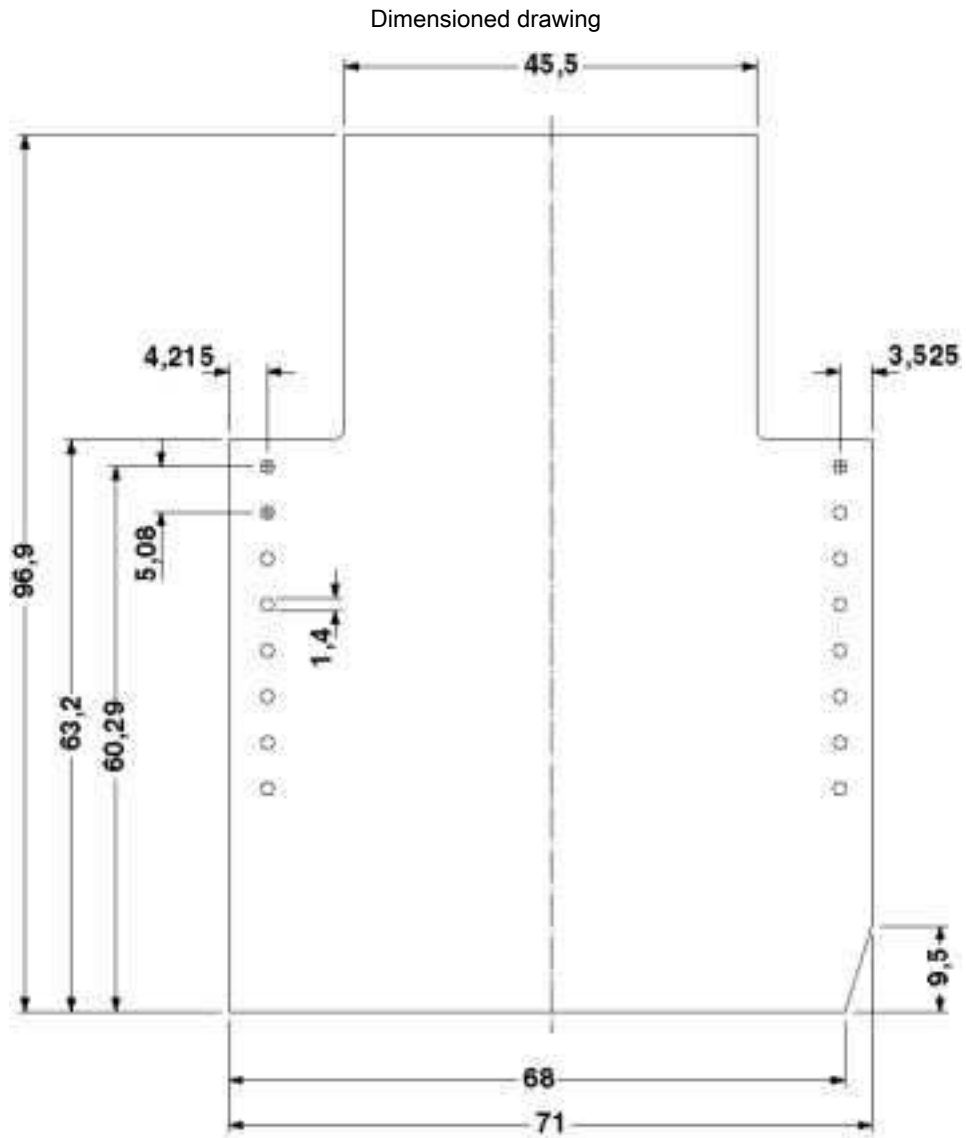
# Electronic housing - EG 22,5-A/ABS BU - 2764726

Explosion drawing



valid for PCB 13

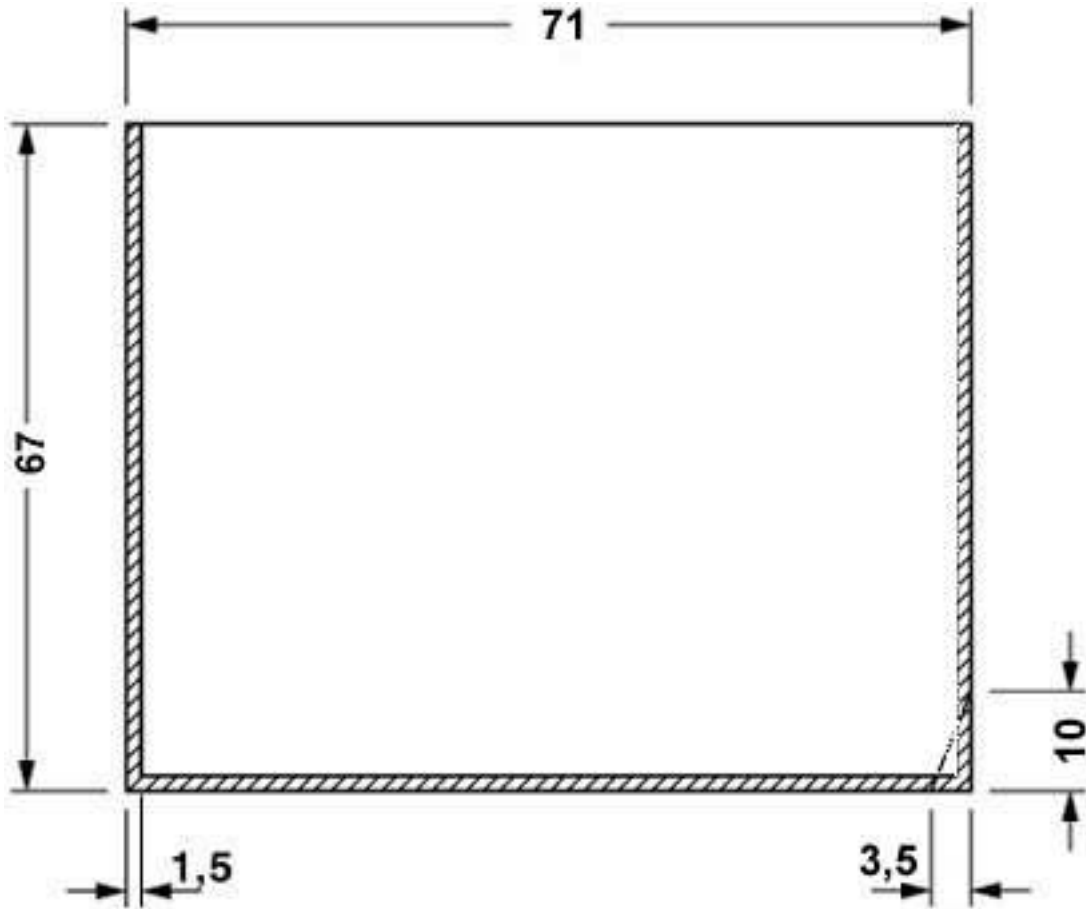
# Electronic housing - EG 22,5-A/ABS BU - 2764726



Component mounting side, if the double-level upper part is used

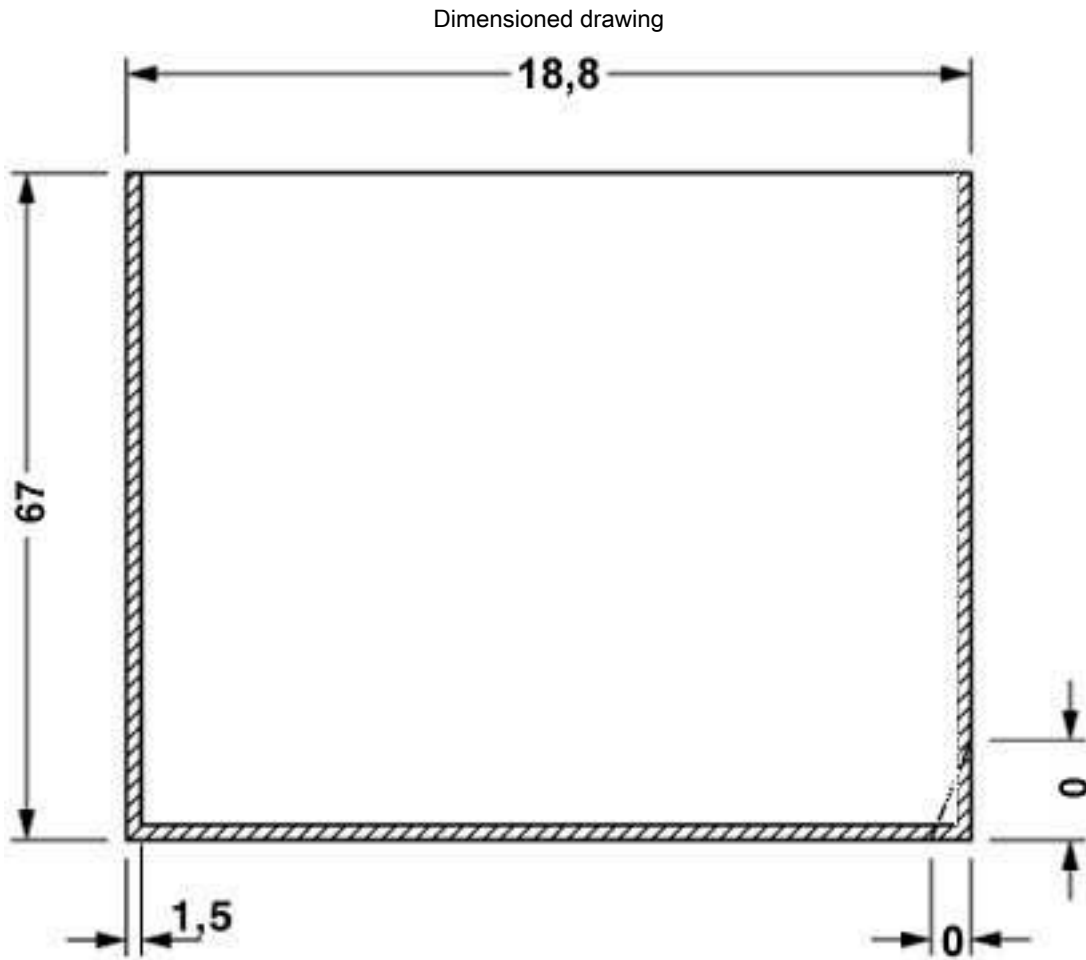
# Electronic housing - EG 22,5-A/ABS BU - 2764726

Dimensioned drawing



valid for PCB 7, see explosion drawing

# Electronic housing - EG 22,5-A/ABS BU - 2764726



valid for PCB 1, see explosion drawing