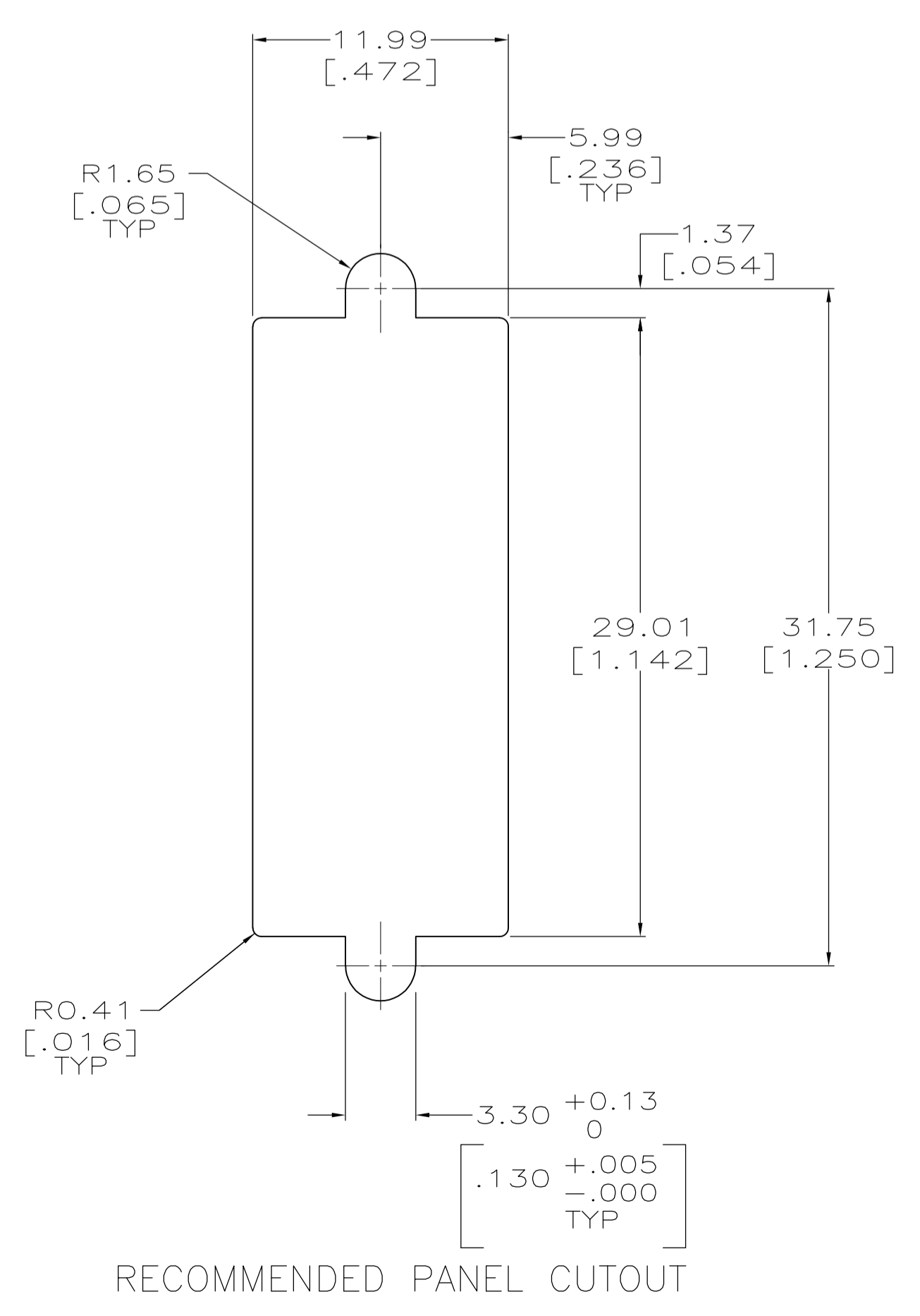
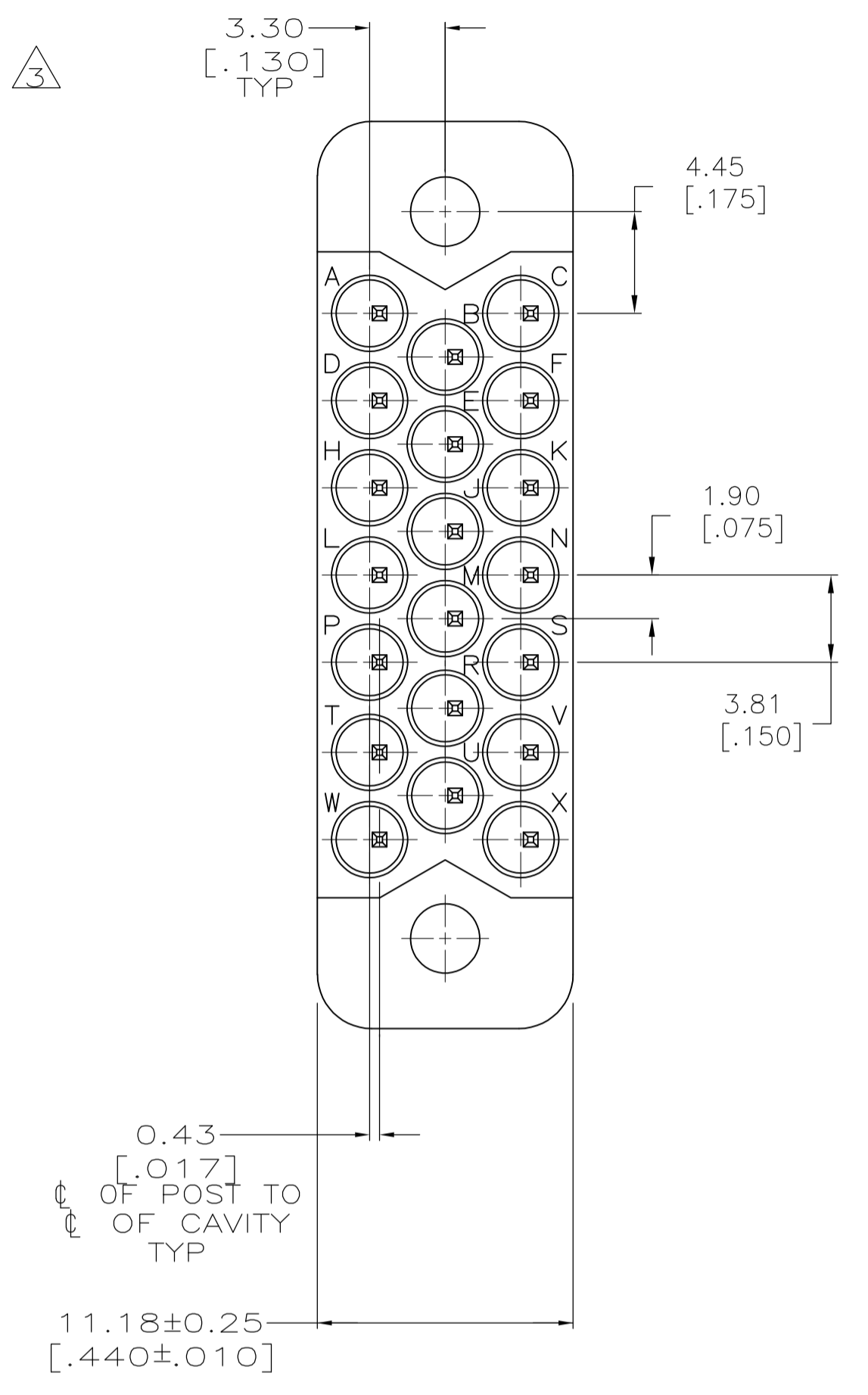
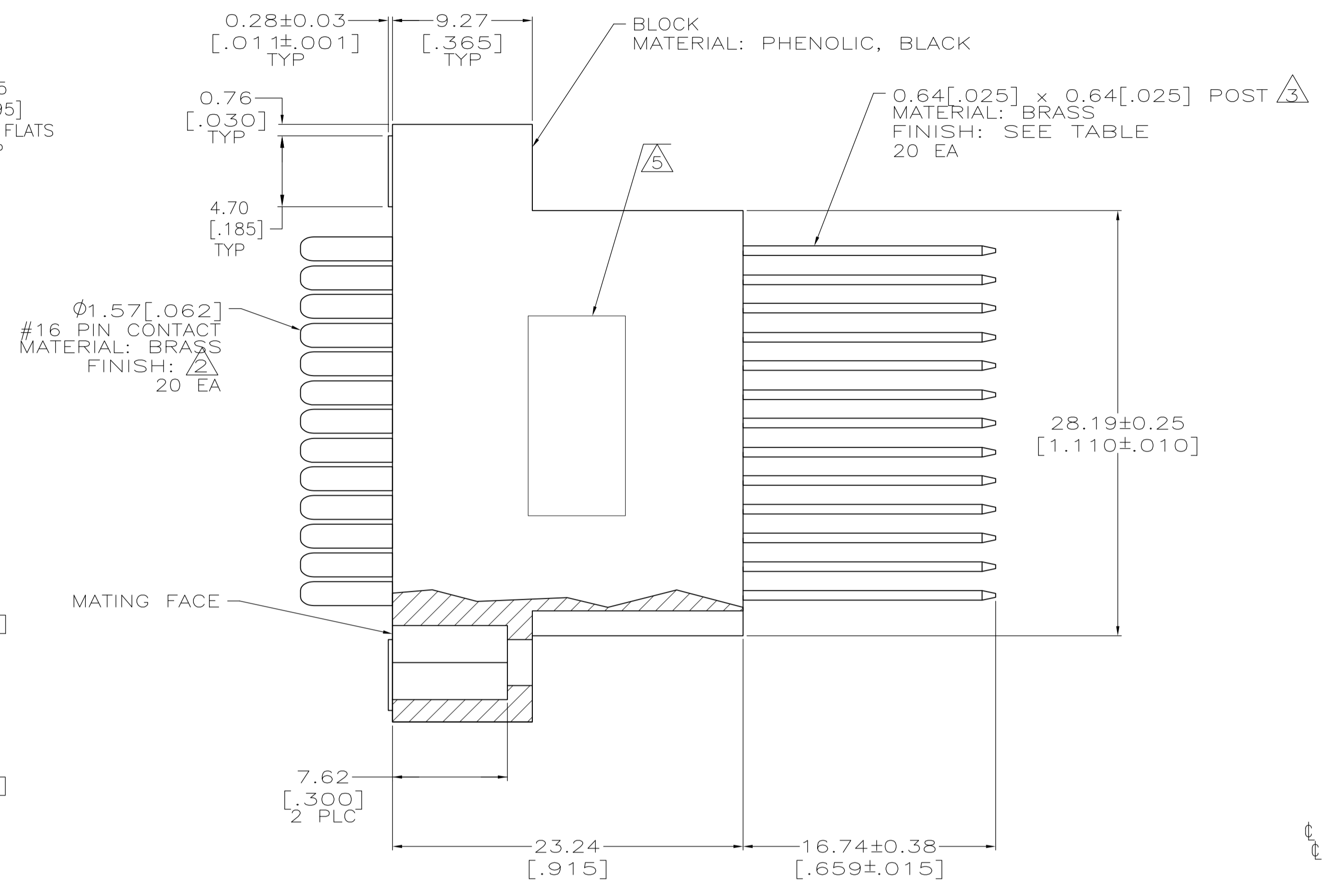
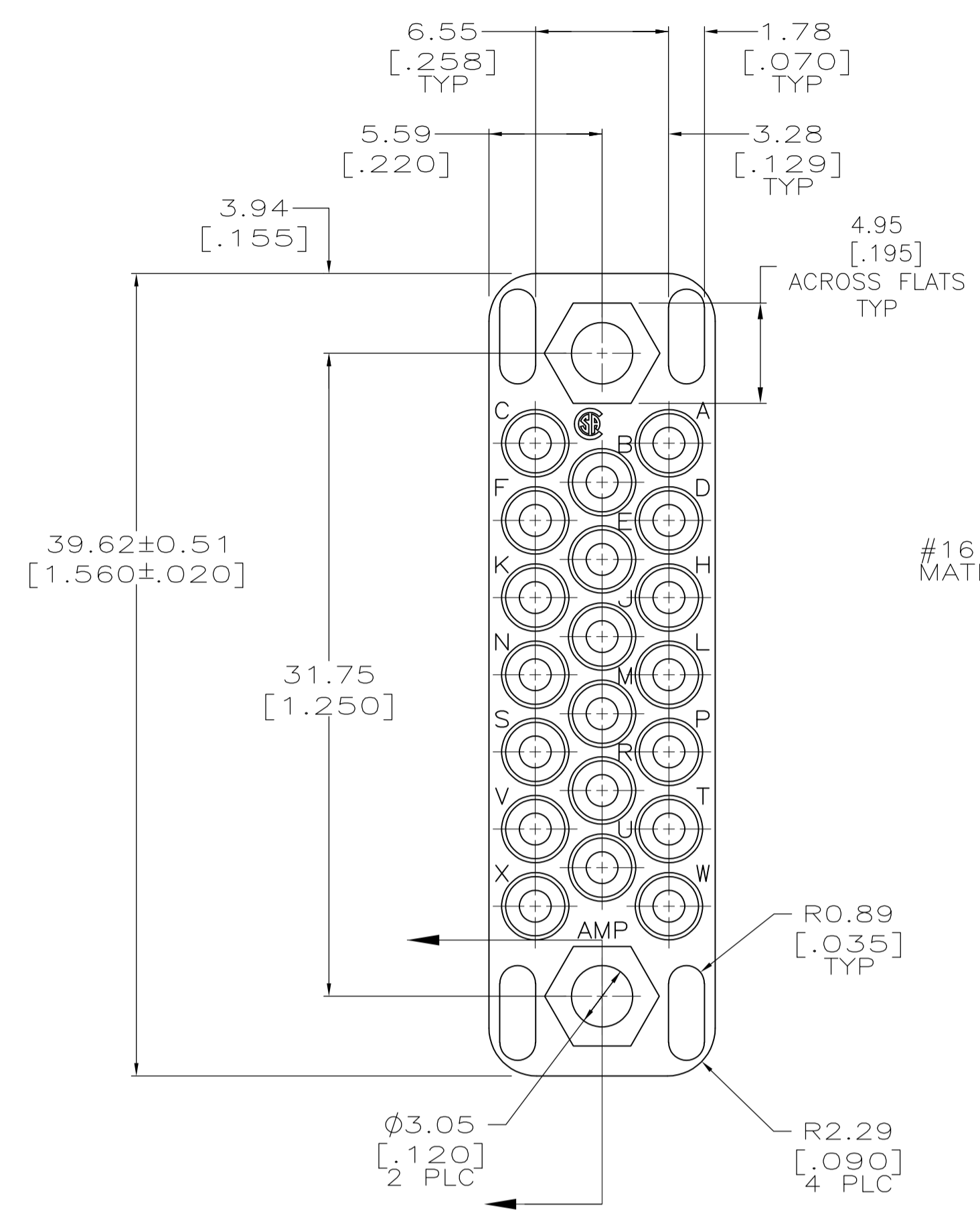


REVISIONS				
P	LTR	DESCRIPTION	DATE	APP'D
T1		REVISED PER ECO-16-004000	27SEP2016	NK MZ



- △ 2.54um[.000100] MIN TIN-LEAD OVER 1.27um[.000050] MIN NICKEL.
- △ 0.76um[.000030] MIN GOLD FOR A LENGTH OF 6.35[.250] FROM MATING END WITH GOLD FLASH ON REMAINDER, ALL OVER 1.27um[.000050] MIN NICKEL.
- △ POSTS ARE SEMI-AUTOMATICALLY WIREABLE AND WILL ACCEPT 3 TERMINATIONS.
- 4. #24 AWG MAX WIRE TO BE USED WITH THIS CONNECTOR.
- △ AMP, PART NUMBER, DATE CODE & THE LETTER P MARKED IN THIS AREA.
- △ 2.54um[.000100] MIN TIN OVER 1.27um[.000050] MIN NICKEL.

OBSELETE	△	4-205509-7
	△	205509-1
	△	PART NUMBER

THIS DRAWING IS A CONTROLLED DOCUMENT.		DIN C. REIFSNYDER 12 FEB 96	TE Connectivity	
DIMENSIONS: mm [INCHES]		CHK R. STONE 22 FEB 96	NAME	
TOLERANCES UNLESS OTHERWISE SPECIFIED:		APP'D M. MCALONIS 22 FEB 96	PRODUCT SPEC	
0 PLC ± -		APPLICATION SPEC		
1 PLC ± -		WEIGHT		
2 PLC ± 0.13 [.005]		SIZE CASE CODE DRAWING NO		
3 PLC ± -		A1 00779 C=205509		
4 PLC ± -		RESTRICTED TO		
ANGLES ± -		CUSTOMER DRAWING		
MATERIAL SEE CALLOUTS		SCALE 4:1 SHEET 1 OF 1 REV T1		