

PART NAME: KNOB      SCALE: 1:1      DATE: 3/23/59      DR. BY LSP

THIS DRAWING IS THE PROPERTY OF DAVIES MOLDING COMPANY, IS SUBMITTED SOLELY AS A DESIGN OR ENGINEERING PROJECT. WE ACCEPT NO RESPONSIBILITY WHATSOEVER FOR THE PRACTICAL APPLICATION OF THE PIECES MADE TO THIS DESIGN.

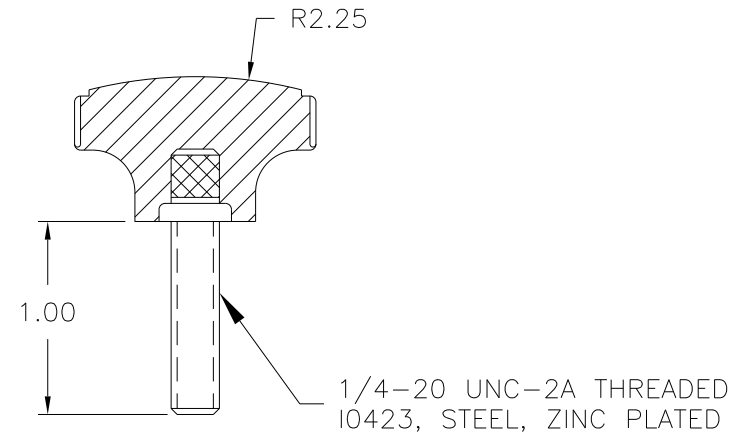
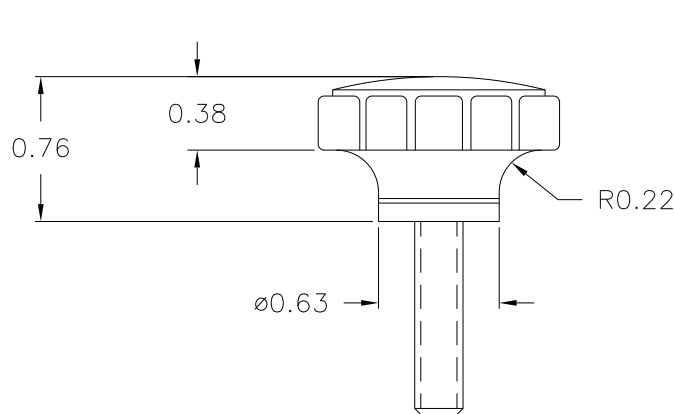
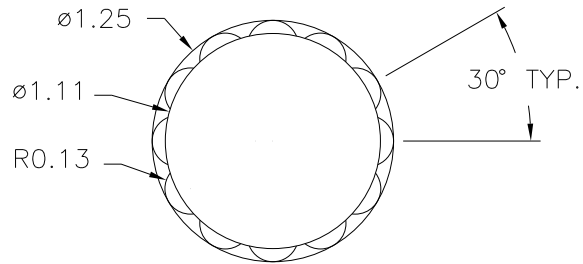


DESIGNERS & MANUFACTURERS OF KNOBS, HANDLES, CASES & CUSTOM PLASTIC COMPONENTS

P/N 3008CW

M<sup>NO.</sup> 3008

|           |          |
|-----------|----------|
| CAVITY    | 3008     |
| PLUNGER   | 3008     |
| OUTER PIN | 3008-28  |
| INNER PIN | NONE     |
| SHIMS     | 3008-A+B |
| INSERT    | I0423    |



ⓑ

MATERIAL: #4311 PHENOLIC (B41)  
COLOR: BLACK

|   |                                  |         |  |     |          |
|---|----------------------------------|---------|--|-----|----------|
| TOLERANCES:<br>UNLESS OTHERWISE SPECIFIED | DO NOT SCALE<br>DRAWING          | B       | WAS G.P.<br>PHENOLIC (B11)                         | JAM | 3/21/16  |
|   |                                  | A       | ADDED INNER & OUTER PINS,<br>CORRECTED TOOLING BOX | TS  | 10/16/02 |
| DECIMALS: X.XXX ± .005<br>X.XX ± .015     | MM: X.XX ± 0.15MM<br>X.X ± 0.4MM | -       | RE-DID REDRAW                                      | TL  | 11/24/99 |
|   |                                  | -       | CAD REDRAW   | HD  | 9/6/97   |
| FRACTIONS ± 1/64                          | ANG. ± 1°                        | CHANGES |  |     |          |