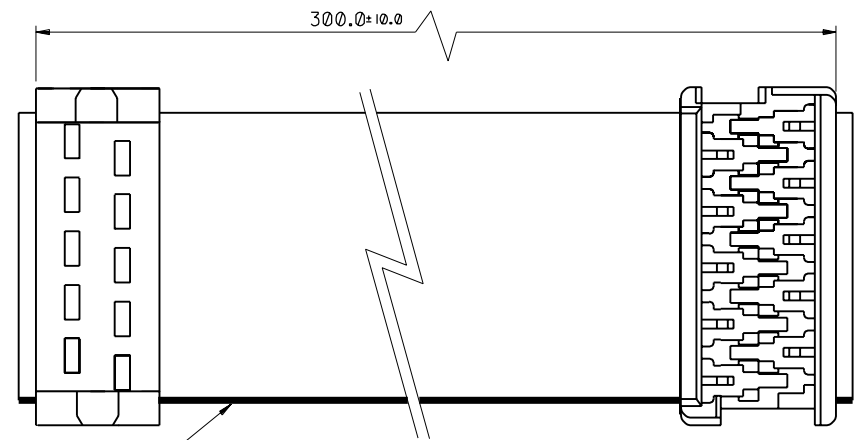
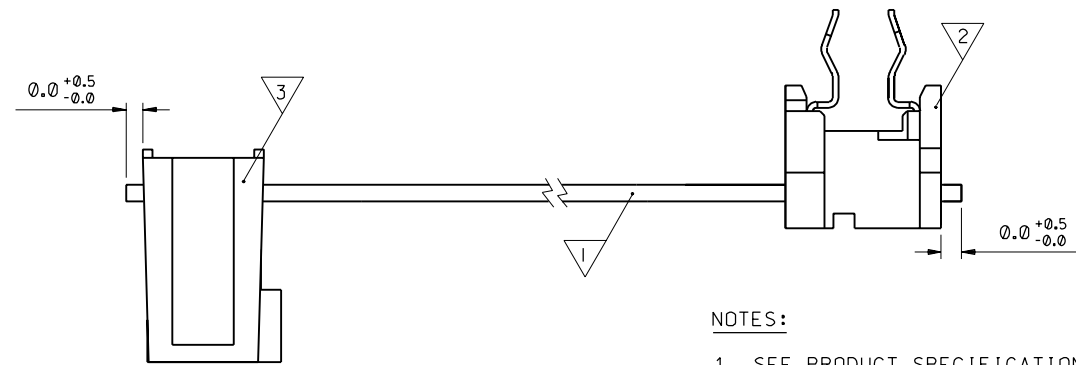


PART NO. 92314-0001
 DWG. NO. SDA-92314-0001



CIRCUIT IDENTIFICATION



NOTES:

1. SEE PRODUCT SPECIFICATIONS PS-99020-0011.
2. SEE TERMINATION SPECIFICATION ES-99033-0002.
3. SEE PRODUCT SPECIFICATION PS-99020-0015.
4. SEE CABLE SPECIFICATION ES-99027-0006.
5. HARNESES TO BE 100% ELECTRICALLY TESTED.

ITEM	COMPONENT	DESCRIPTION	QUANTITY	NOTE
1	99026-0025	10 CCT 28 AWG STRANDED TINNED RIBBON CABLE	1	4, 5
2	90584-1310	PICOFLEX BOARD-IN IDT CONNECTOR	1	1, 2, 5
3	90635-1103	QF 50 10 CCT CONNECTOR	1	3, 5

FOR PREVIOUS DRAWING ISSUES SEE MRI.

CHANGE CABLE LENGTH ECN E80078 97-09-03 DR	DIMENSIONS SHOWN (METRIC) INCH UNLESS OTHERWISE SPECIFIED TOLERANCES: ANGULAR ± 1/2° INCH (METRIC)	DRWG BY AMC
LTR REVISIONS		CHK'D BY
	DRAFT WHERE APPLICABLE MUST REMAIN WITHIN DIMENSIONS	APP'D BY
	DESIGN DIMENSION (PRIMARY) <input checked="" type="checkbox"/> (MM) <input type="checkbox"/> IN.	SCALE
	EQUIVALENT DIMENSION (SECONDARY) <input type="checkbox"/> (MM) <input type="checkbox"/> IN.	5:1

REVISE ONLY ON CAD SYSTEM		SHL	REV.
CAD/CAM FILENAME S92314X1 DGN	THIS DRAWING CONTAINS INFORMATION THAT IS PROPRIETARY TO MOLEX INC. & SHOULD NOT BE USED WITHOUT WRITTEN PERMISSION		
TITLE QF 50 PICOFLEX HARNESS			
MOLLEX MOLEX EUROPE		SHEET NO. 10F1	DATE 97/05/02
PART NO. 92314-0001	DWG NO. SDA-92314-0001	SIZE B	