



Oct. 2016 Ver.1.0
TDK Corporation

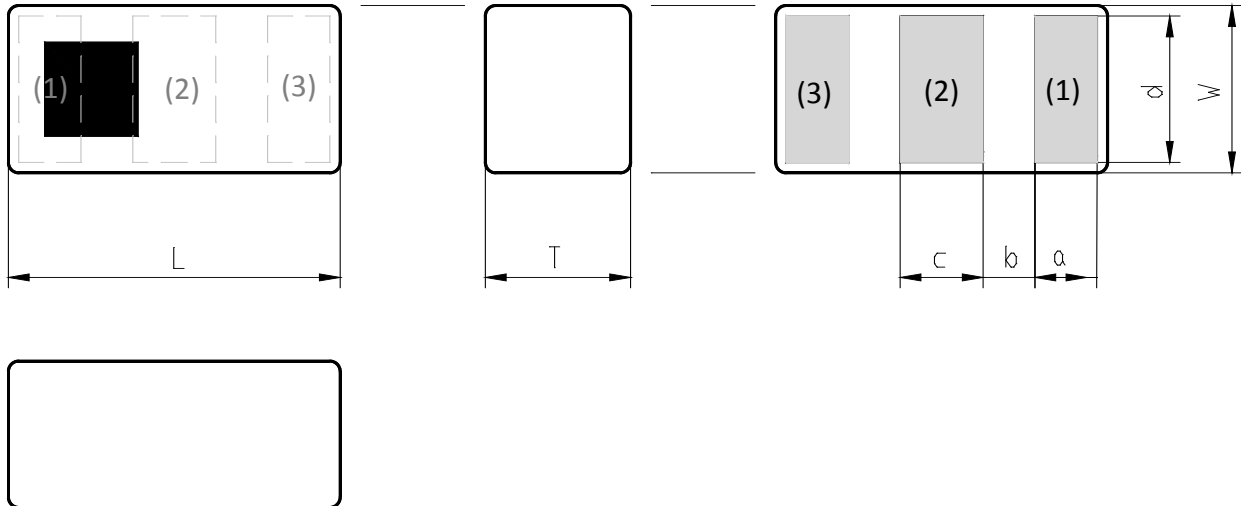
Multilayer High Pass Filter

DEA Series 1.6x0.8mm [EIA 0603] TYPE

P/N: **DEA162300HT-8047A1**

DEA162300HT-8047A1

■ SHAPES AND DIMENSIONS



Dimensions (mm)

L	W	T	a	b	c	d
1.60	0.80	0.65	0.30	0.25	0.40	0.70
+/-0.10	+/-0.10	Max	+/-0.10	+/-0.10	+/-0.10	+/-0.10

Terminal functions

(1)	Input Port
(2)	GND
(3)	Output Port

■ TEMPERATURE RANGE

Operating temperature	Storage temperature
-40 to +85 °C	-40 to +85 °C

■ TERMINATION FINISH

Material
Au plate

DEA162300HT-8047A1

■ ELECTRICAL CHARACTERISTICS

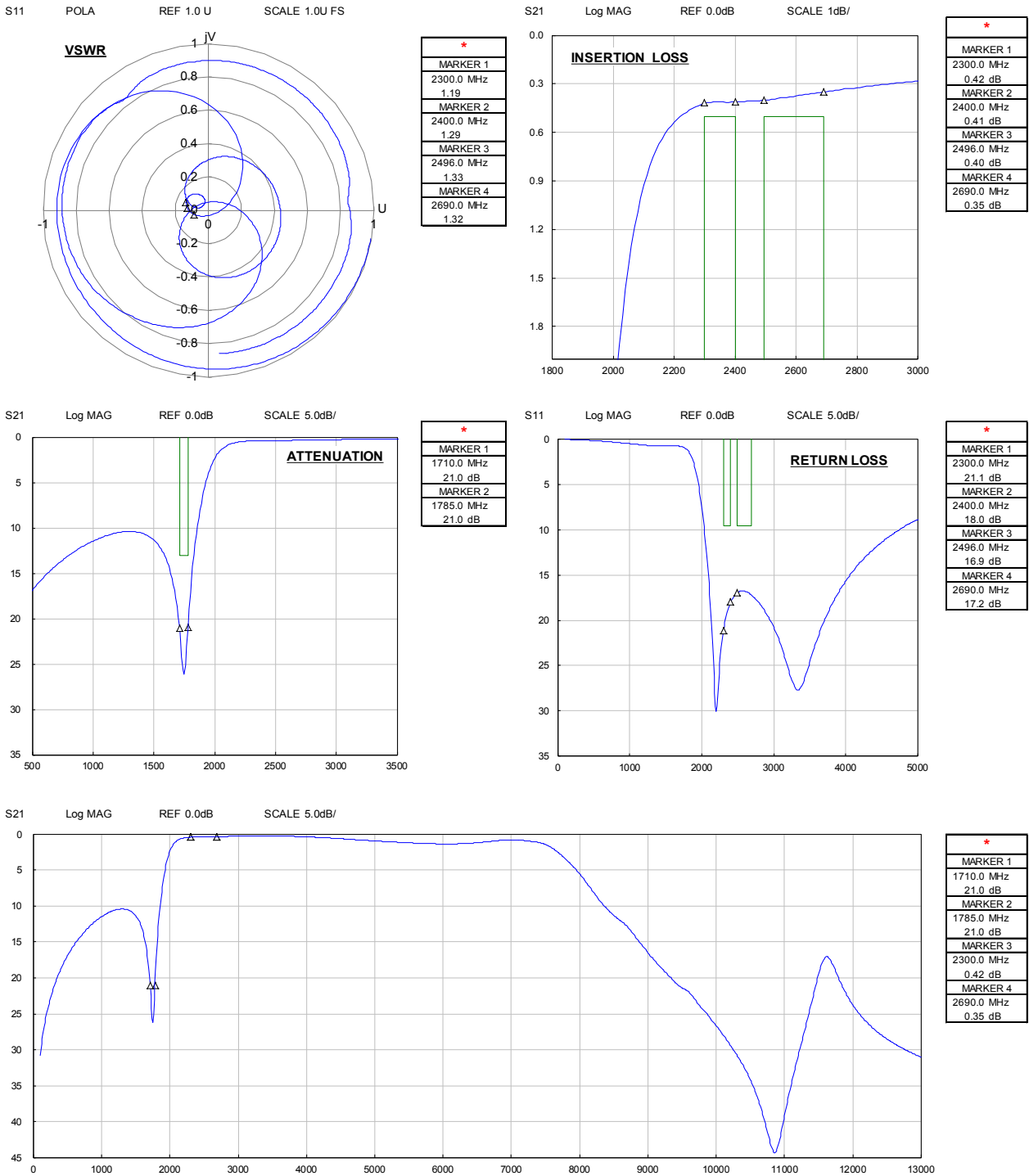
(Measurement)

Parameter	Frequency (MHz)	TDK Spec		
		Min.	Typ.	Max.
Insertion Loss (dB)	2300 to 2400	-	0.42	0.50
	2496 to 2690	-	0.40	0.50
Insertion Loss (dB) (-40 to +85 °C)	2300 to 2400	-		0.70
	2496 to 2690	-		0.70
VSWR	2300 to 2400	-	1.29	2.00
	2496 to 2690	-	1.33	2.00
Attenuation (dB)	1710 to 1785	13	21	-
Characteristic Impedance (ohm)		50 (Nominal)		

Ta = +25+/-5°C

DEA162300HT-8047A1

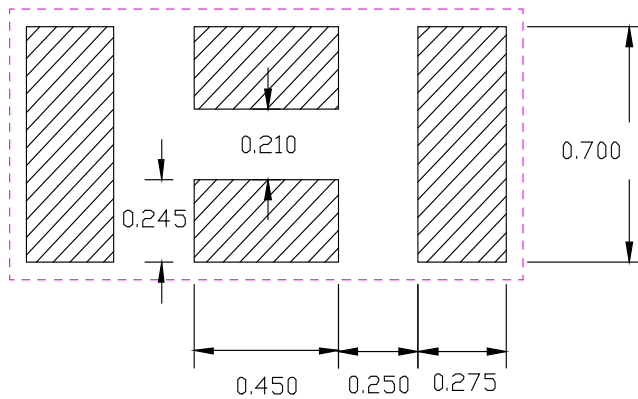
FREQUENCY CHARACTERISTICS



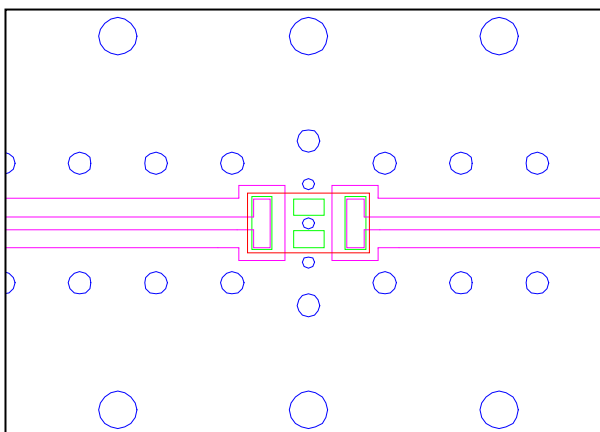
All specifications are subject to change without notice.

DEA162300HT-8047A1

RECOMMENDED LAND PATTERN



EVALUATION BOARD



- Thru hole
- Resist
- Surface Pattern
- DUT

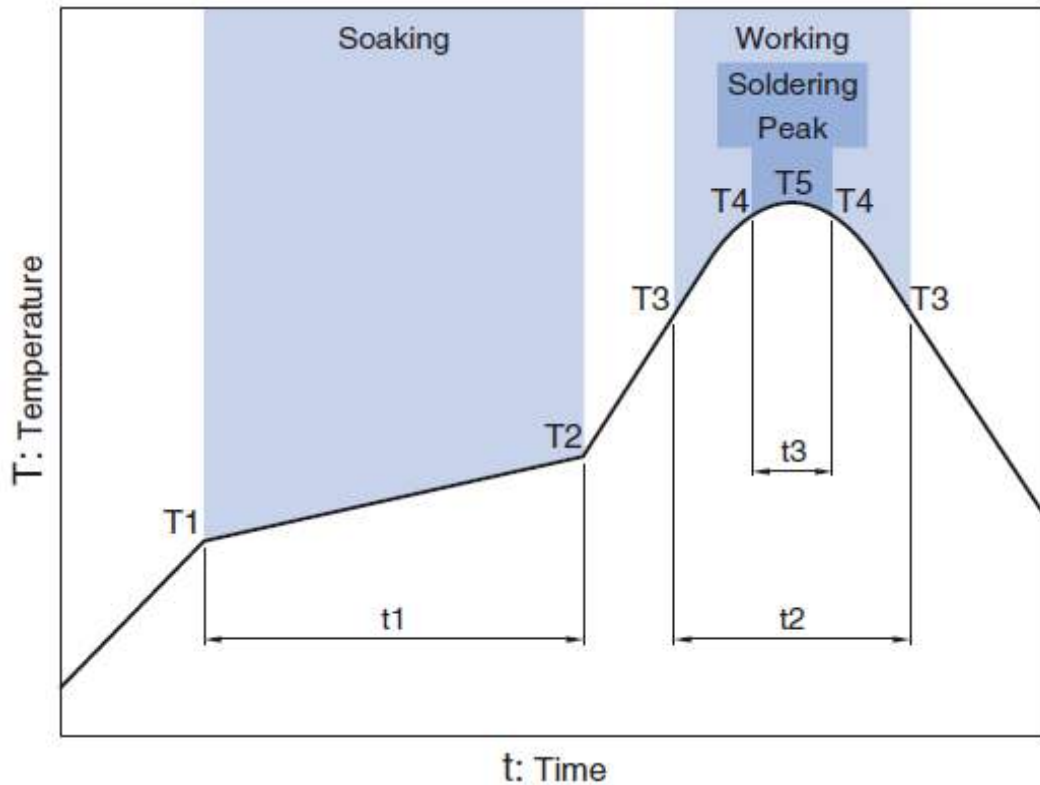
Material, Layer	Thickness
Top Resist	Resist
Copper Surface Pattern	0.035mm
FR-4	0.10mm
Copper Inner GND	0.018mm
FR-4	0.30mm
Copper Bottom GND	0.035mm

ENVIRONMENT INFORMATION

RoHS Statement
RoHS Compliance

DEA162300HT-8047A1**RECOMMENDED REFLOW PROFILE**

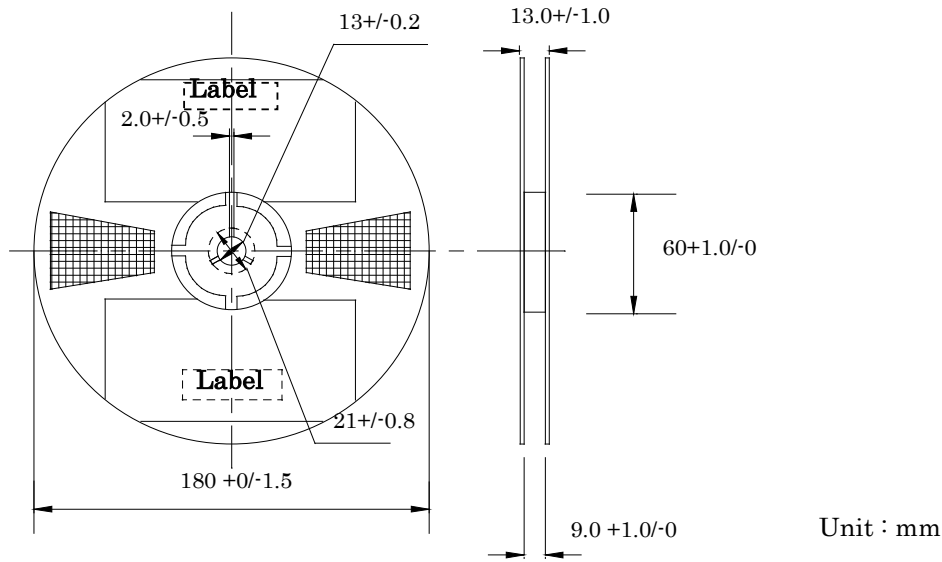
Pb free solder



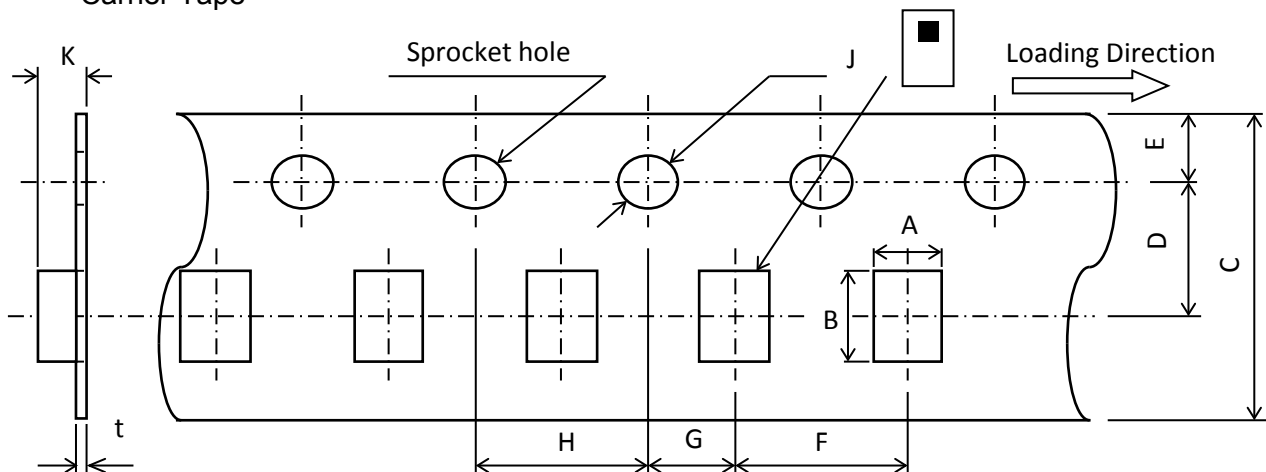
Soaking			Working		Soldering		Peak
Temp.	Temp.	Time	Temp.	Time	Temp.	Time	Temp.
T1	T2	t1	T3	t2	T4	t3	T5
150°C	180°C	60 to 120sec	230°C	more than 30sec	247 to 253°C	within 10sec	260°C Max.

DEA162300HT-8047A1**PACKAGING STYLE**

Reel Dimensions



Carrier Tape



Dimensions (mm)

A	B	C	D	E	F	G	H	J	K	t
0.97	1.8	8.0	3.5	1.75	4.0	2.0	4.0	1.5	0.8	0.25
+/-0.05	+/-0.05	+/-0.2	+/-0.05	+/-0.1	+/-0.1	+/-0.05	+/-0.1	+0.1/-0	MAX	+/-0.05

STANDARD PACKAGE QUANTITY
(pieces/reel)

4,000

All specifications are subject to change without notice.

TDK Technology - Proprietary and Confidential Information of TDK Group Companies

REMINDERS FOR USING THESE PRODUCTS

Before using these products, be sure to request the delivery specifications.

SAFETY REMINDERS

Please pay sufficient attention to the warnings for safe designing when using these products.

 REMINDERS
--

The products listed on this specification sheet are intended for use in general electronic equipment (AV equipment, telecommunications equipment, home appliances, amusement equipment, computer equipment, personal equipment, office equipment, measurement equipment, industrial robots) under a normal operation and use condition.

The products are not designed or warranted to meet the requirements of the applications listed below, whose performance and/or quality require a more stringent level of safety or reliability, or whose failure, malfunction or trouble could cause serious damage to society, person or property. Please understand that we are not responsible for any damage or liability caused by use of the products in any of the applications below or for any other use exceeding the range or conditions set forth in this specification sheet.

1. Aerospace/Aviation equipment
2. Transportation equipment (cars, electric trains, ships, etc.)
3. Medical equipment
4. Power-generation control equipment
5. Atomic energy-related equipment
6. Seabed equipment
7. Transportation control equipment
8. Public information-processing equipment
9. Military equipment
10. Electric heating apparatus, burning equipment
11. Disaster prevention/crime prevention equipment
12. Safety equipment
13. Other applications that are not considered general-purpose applications

When using this product in general-purpose applications, you are kindly requested to take into consideration securing protection circuit/equipment or providing backup circuits, etc., to ensure higher safety.