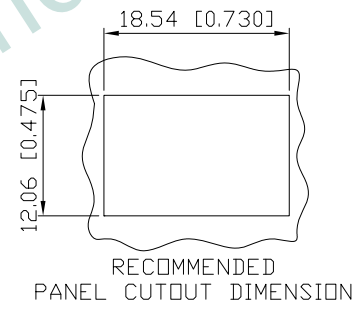
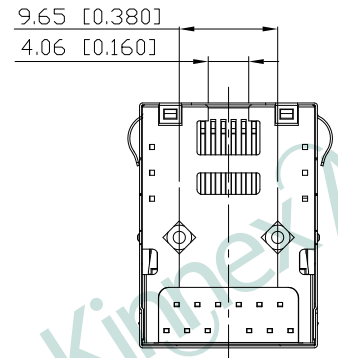
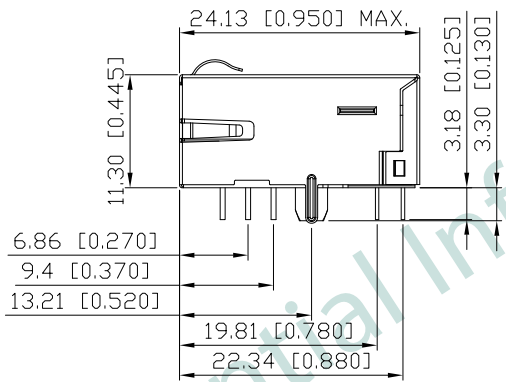
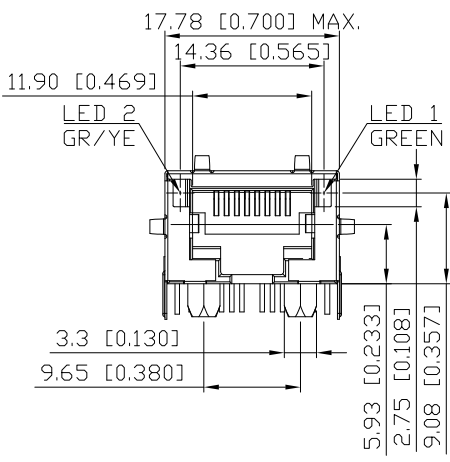
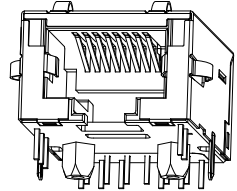


1. MECHANICAL DIMENSIONS :

REV.	DATE	DESCRIPTION
01	May. 14, '19	1st RELEASE

A  
B  
C  
D  
E  
F



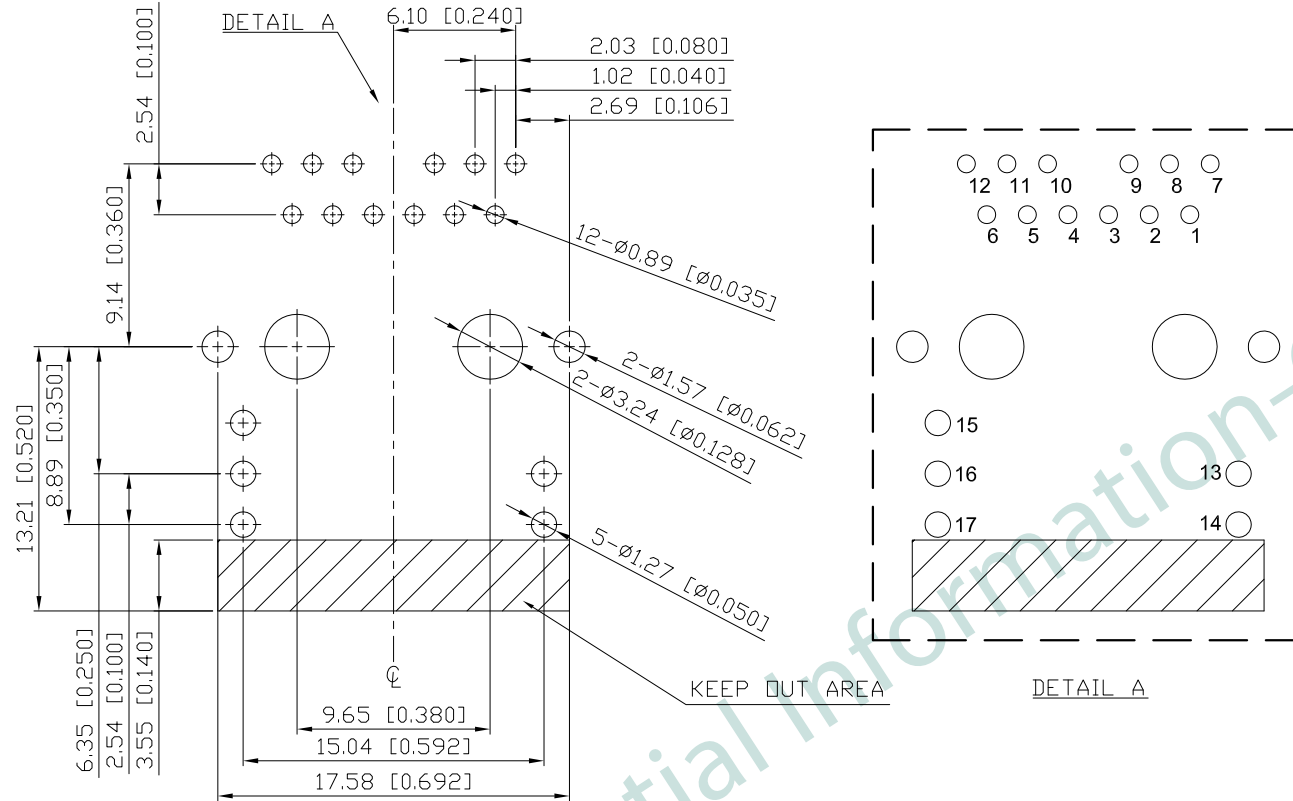
NOTES:

- MATERIAL:  
HOUSING: HIGH THERMOPLASTIC, UL94V-0, BLACK  
CONTACTS: T=0.35mm PHOS-BRONZE,  
50μ" GOLD PLATING ON CONTACT AREA,  
NICKEL UNDERPLATING OVERALL  
SOLDER PIN: T=0.35\*0.45mm COPPER, NICKEL PLATING,  
TIN PLATING ON ALL AREA  
SHIELD: STAINLESS, NICKEL PLATING
- OPERATING TEMPERATURE: 0°C~+70°C
- MATING FORCE: 4 POUNDS MAX.  
UNMATING FORCE: 4 POUNDS MAX.  
RETENTION FORCE: 15 POUNDS MIN.
- DURABILITY: 750 MATING CYCLED MIN.
- CAVITY CONFORMS TO FCC RULES AND REGULATIONS PART 68,  
SUBPART F.
- UNSPECIFIED TOLERANCE: .XX ±0.25[0.010]  
.X ±0.30[0.012]

PART NO		KRG-017-H-SS4-CP0-XXX		
TITLE	RJ45, W/10G TRANSFORMER, W/LED, SHIELDED			
REV : 01				
UNIT	DRAWN	CHKD	DATE	SHEET
mm[inch]	CINDY	VINCENT	May. 14, '19	1 of 5

Halogen Free  
RoHS Compliant

2. PCB LAYOUT :



P#	DEFINITION
P1	CT
P2	MD(2)-
P3	MD(2)+
P4	MD(1)-
P5	MD(1)+
P6	CT
P7	CT
P8	MD(3)-
P9	MD(3)+
P10	MD(0)-
P11	MD(0)+
P12	CT
P13	RIGHT GR-
P14	RIGHT GR+
P15	LEFT YE-
P16	LEFT LED+
P17	LEFT GR-

SUGGESTED PCB LAYOUT  
(TOP VIEW) SCALE: 2:1  
DIMENSIONAL TOLERANCE: .XX ±0.08[0.003]

KRG-017-H-SS4-CP0-XXX

PRODUCT SERIES  
KRG: LATCH DOWN WITH LED

MECHANICAL TYPE  
017: 1 PORT, LENGTH=24.13mm,  
HEIGHT=11.30mm, STRAIGHT PINS,  
WITHOUT STAND OFF

LED COLOR OPTION

CIRCUIT TYPE

SPECIAL CODE  
0: STANDARD

SHIELDED TYPE  
P: EMI FINGER ON ALL SIDE  
W/D GROUND LUG

LED POLARITY  
C: TRI-COLOR, +-

CUSTOMER CODE

PART NO KRG-017-H-SS4-CP0-XXX

TITLE	RJ45, W/10G TRANSFORMER, W/LED, SHIELDED			
REV : 01				
UNIT	DRAWN	CHKD	DATE	SHEET
mm[inch]	CINDY	VINCENT	May, 14, '19	2 of 5

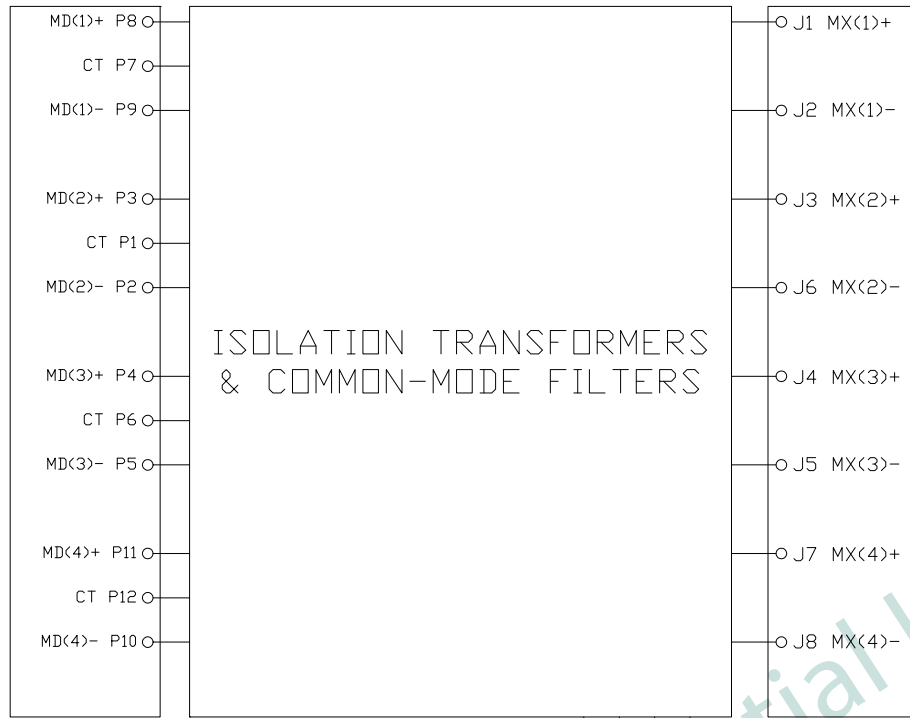
### 3. SCHEMATIC :

### 4. ELECTRICAL CHARACTERISTICS :

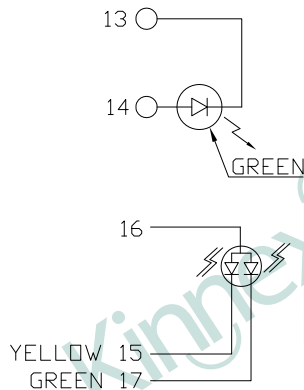
LAN CHIP SIDE

RJ CABLE SIDE

TEST NOTES:(25°±5°C)



- TR:  
INPUT TO OUTPUT=1:1±3%
- QCL: (100KHz, 100mV, 8mA, DC Bias)  
120uH MINIMUM
- DCR:  
EVERY RJ PAIR=1.2 Ω MAXIMUM
- INSERTION LOSS:  
-0.8dB MAXIMUM AT 1MHz TO 100MHz  
-1.2dB MAXIMUM AT 100MHz TO 200MHz  
-2.0dB MAXIMUM AT 200MHz TO 400MHz
- RETURN LOSS:  
-16dB MINIMUM AT 1MHz TO 100MHz  
-10dB MINIMUM AT 100MHz TO 200MHz  
-8dB MINIMUM AT 200MHz TO 300MHz  
-6dB MINIMUM AT 300MHz TO 400MHz  
-6dB MINIMUM AT 400MHz TO 500MHz
- CROSS TALK:  
-25dB MINIMUM AT 1MHz TO 500MHz
- CM TO CM REJECTION:  
-22dB MINIMUM AT 1MHz TO 100MHz  
-21dB MINIMUM AT 100MHz TO 300MHz  
-20dB MINIMUM AT 300MHz TO 800MHz
- HIPOT:  
INPUT(RJ SIDE) TO OUTPUT(LAN SIDE):  
1500VAC FOR 60 SECONDS

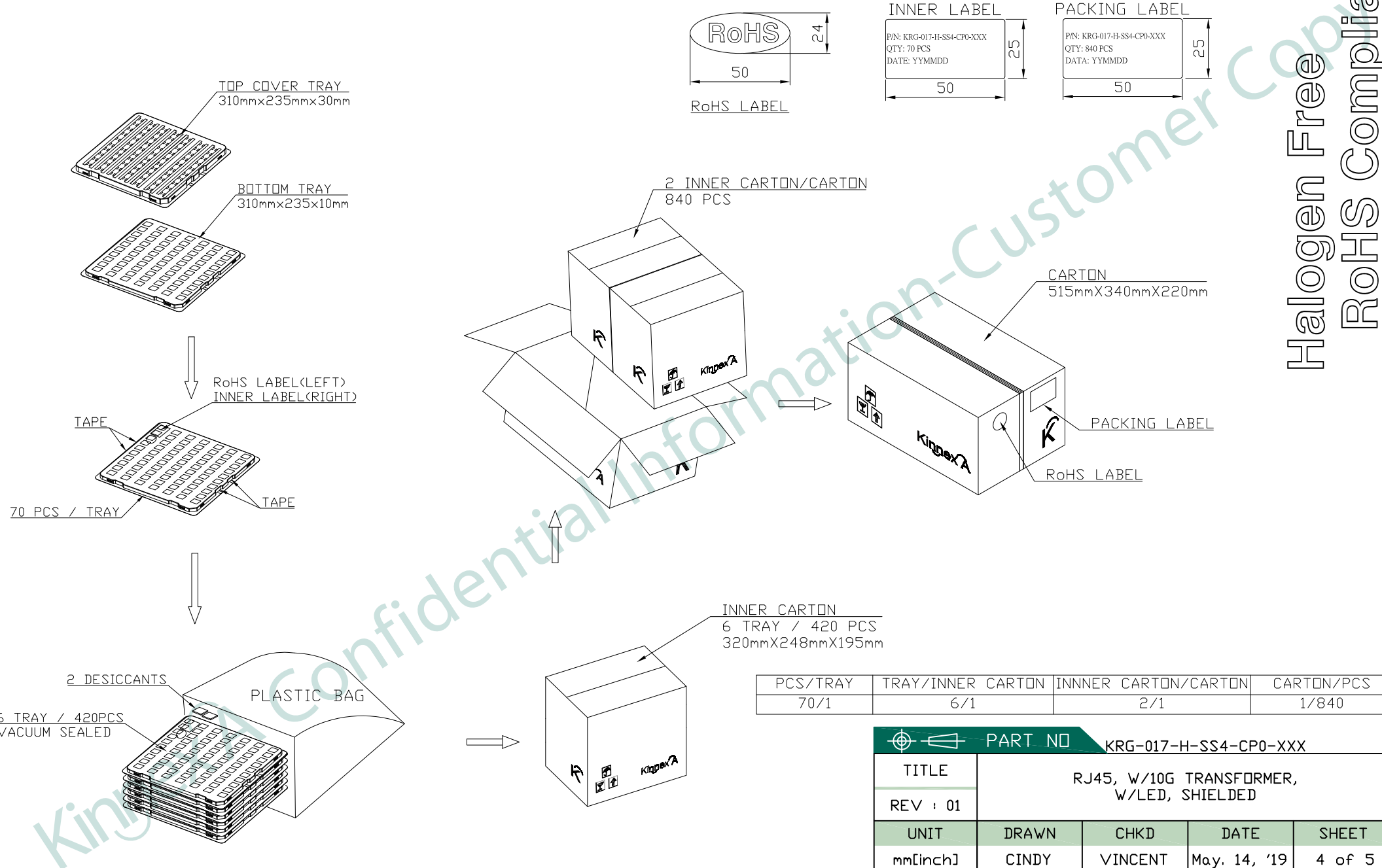


COLOR	VF(V) @20mA		IV(mcd) @20mA	IF(mA)	PEAK WAVE LENGTH λP(nm) @20mA
	TYP	MAX	TYP	TYP	TYP
GREEN	2.2	2.6	8	20	570
YELLOW	2.0	2.6	8	20	588
GREEN	2.2	2.6	10	20	570

PART NO		KRG-017-H-SS4-CP0-XXX		
TITLE	RJ45, W/10G TRANSFORMER, W/LED, SHIELDED			
REV : 01				
UNIT	DRAWN	CHKD	DATE	SHEET
mm[inch]	CINDY	VINCENT	May, 14, '19	3 of 5

5. PACKING SPECIFICATION:

A  
B  
C  
D  
E  
F

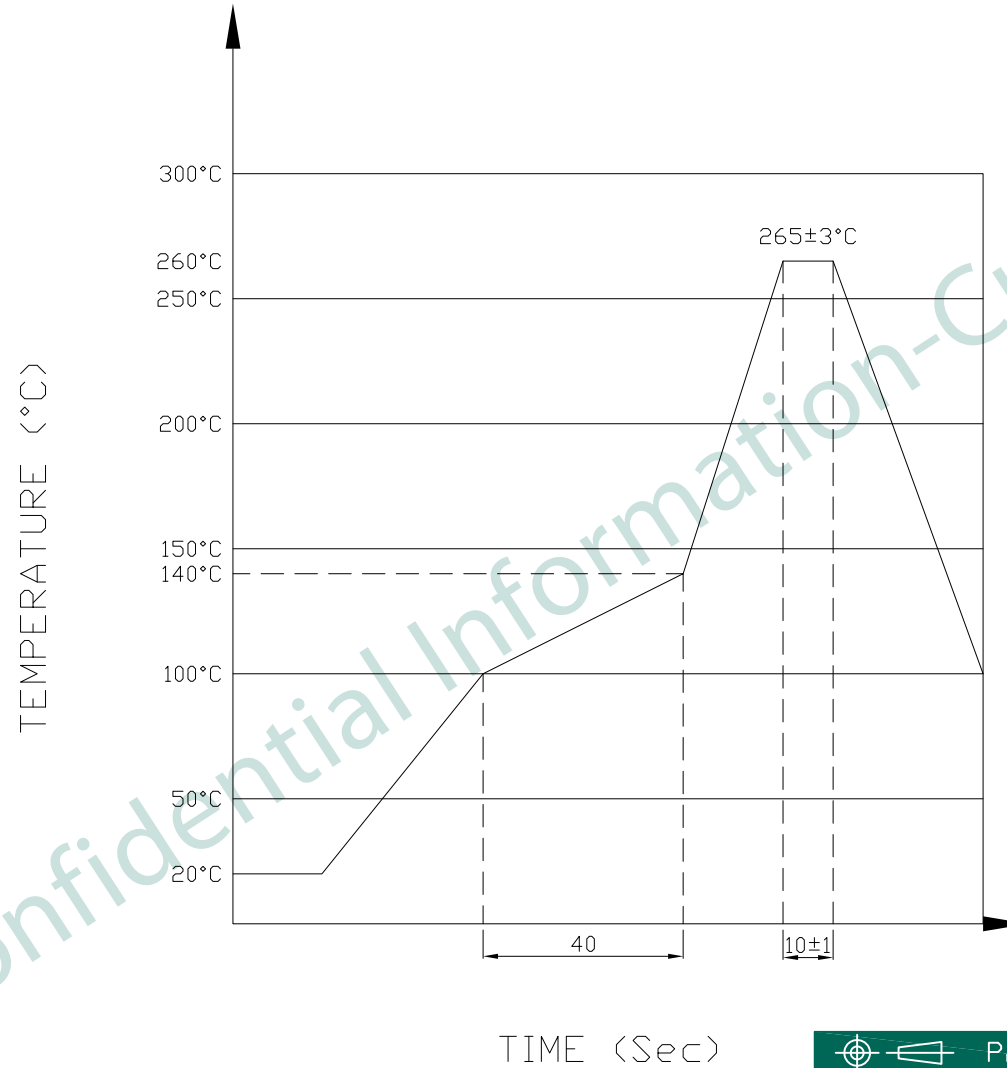


PCS/TRAY	TRAY/INNER CARTON	INNER CARTON/CARTON	CARTON/PCS
70/1	6/1	2/1	1/840

PART NO		KRG-017-H-SS4-CP0-XXX		
TITLE	RJ45, W/10G TRANSFORMER, W/LED, SHIELDED			
REV : 01				
UNIT	DRAWN	CHKD	DATE	SHEET
mm[inch]	CINDY	VINCENT	May. 14, '19	4 of 5

Halogen Free  
 RoHS Compliant

6. PROFILE OF WAVE SOLDER:



The measuring point for the specified temperature shall be on the soldered part of the lead

PART NO		KRG-017-H-SS4-CP0-XXX		
TITLE	RJ45, W/10G TRANSFORMER, W/LED, SHIELDED			
REV : 01				
UNIT	DRAWN	CHKD	DATE	SHEET
mm[inch]	CINDY	VINCENT	May. 14, '19	5 of 5