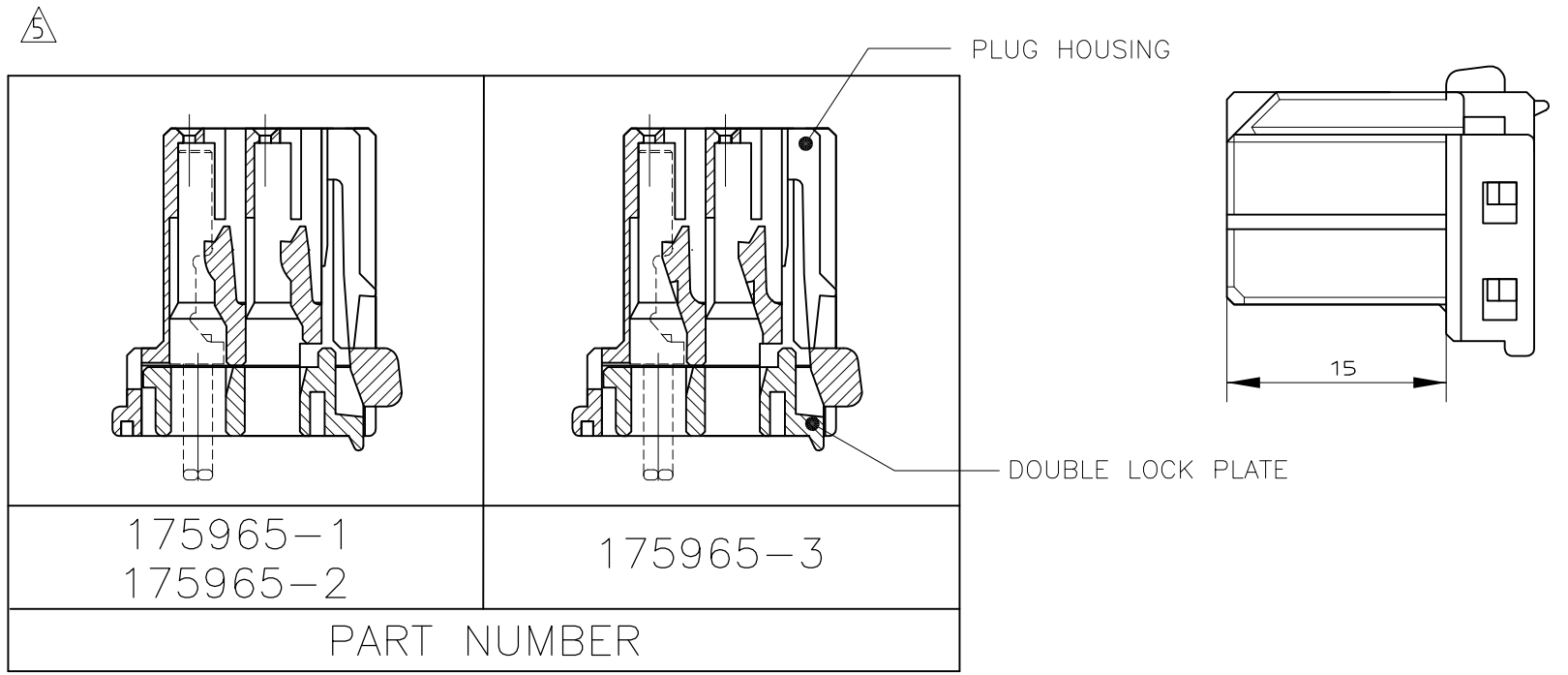
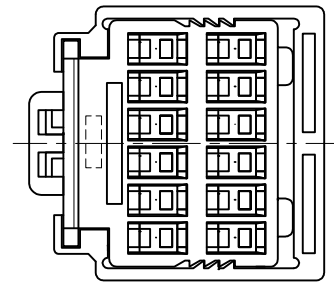
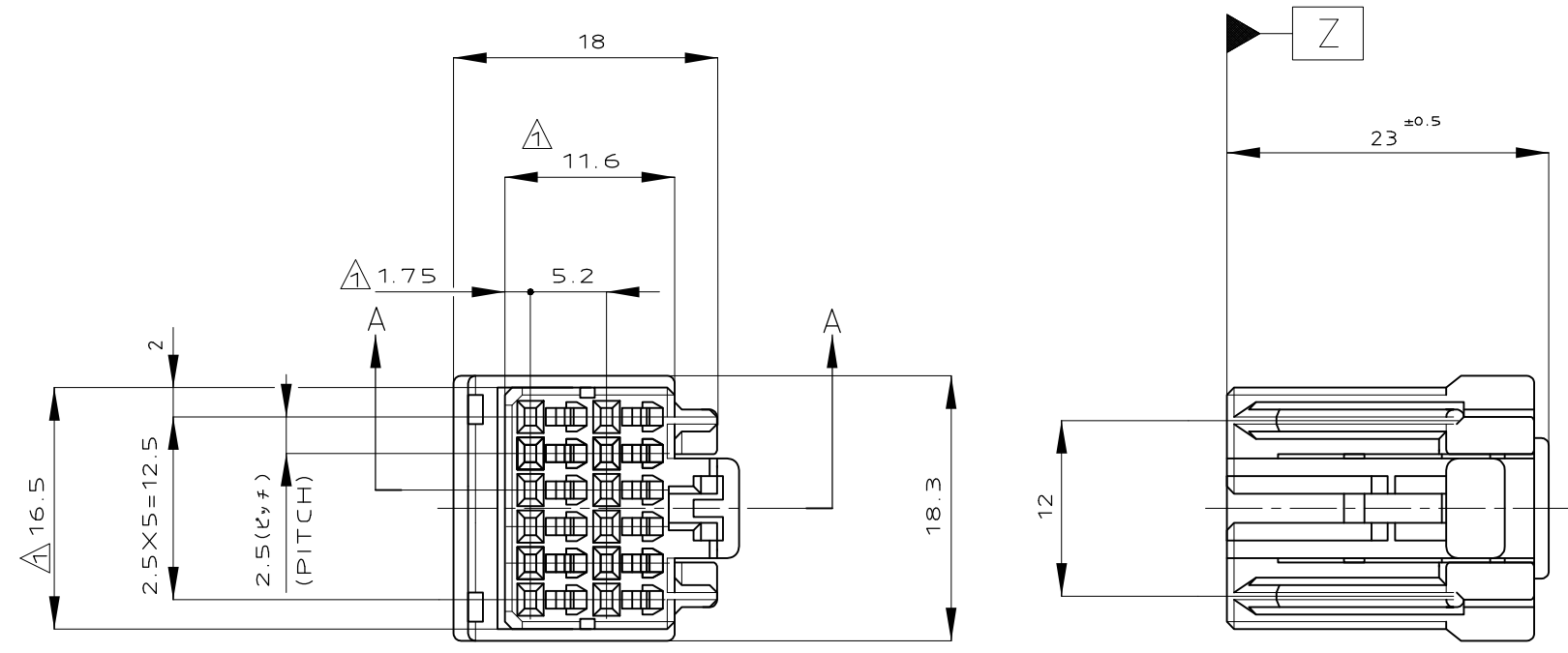


THIS DRAWING IS UNPUBLISHED. RELEASED FOR PUBLICATION  
 © COPYRIGHT - By - ALL RIGHTS RESERVED.

LOC	DIST	REVISIONS					
J	-	P	LTR	DESCRIPTION	DATE	DWN	APVD
		B3	REVISED	ECR-15-009159	18JUN15	AY	RK



175965-1	175965-3
175965-2	
PART NUMBER	

A-A

- △ MUST BE KEPT BETWEEN Z AND 2mm
- 2 THE MATING CAP HSG. PART NUMBER;175974,175976
- 3 APPLIED CONTACT PART NUMBER;173681
- 4 APPLICABLE PRODUCT SPEC NO.;108-5281
- △ THIS PLUG HOUSING HAVE TWO KINDS OF LANCE TYPE.
- △ Z 面より2mmの範囲で測定。
- 2 かん合相手ハウジング型番 ; 175974, 175976
- 3 内装するリセプタクルコンタクト型番 ; 173681
- 4 適用製品規格番号 ; 108-5281
- △ 本プラグハウジングは2タイプのランス形状がある

BLACK	175965-3
BLACK	175965-2
WHITE	175965-1
COLOR	PART NUMBER

TOLERANCE UNLESS OTHERWISE SPECIFIED: 一般公差

0 < x ≤ 10	: ±0.2
10 < x ≤ 30	: ±0.25
30 < x ≤ 100	: ±0.3
ANGLE ; 角度	: ±3°

THIS DRAWING IS A CONTROLLED DOCUMENT.

DWN	K. SUZUKI	24OCT89
CHK	Y. MATSUSAKA	19DEC89
APVD	M. NOGUCHI	26DEC89
PRODUCT SPEC	040 SERIES MULTI-LOCK I/O CONNECTOR MK-II	
製品規格	12 POSITION PLUG HOUSING ASSEMBLY	
APPLICATION SPEC	SIZE	CAGE CODE
取付適用規格	3.2 g	A300779
WEIGHT	DRAWING NO	RESTRICTED TO
	C-175965	
CUSTOMER DRAWING	SCALE	SHEET
	2:1	1 OF 1
		REV
		B3