

THE INFORMATION CONTAINED HEREIN IS CONSIDERED "PROPRIETARY" TO BEL FUSE, INC. AND SHALL NOT BE COPIED, REPRODUCED OR DISCLOSED WITHOUT THE WRITTEN APPROVAL OF BEL FUSE, INC.

RoHS



**ELECTRICAL CHARACTERISTICS @ 25°C**

**TURNS RATIO**

1CT : 1CT ±2%  
 1CT : 1CT ±2%  
 1CT : 1CT ±2%  
 1CT : 1CT ±2%

DCL @ 100kHz/100mVRMS

8mA DC BIAS  
 350µH MIN.

INS. LOSS  
 0.1MHz TO 1MHz -1.1 dB MAX  
 1MHz TO 65MHz -0.5 dB MAX  
 65MHz TO 100MHz -0.8 dB MAX  
 100MHz TO 125MHz -1.2 dB MAX

RET. LOSS (MIN)  
 0.5MHz-40MHz -18 dB  
 40MHz-100MHz -12+20LOG(f/80MHz) dB

**Cross Talk**

Ch1-Ch2, Ch2-Ch3, Ch3-Ch4  
 Ch4-Ch1, Ch2-Ch4, Ch3-Ch1  
 1MHz - 30MHz -37dB MIN  
 30MHz - 80MHz -29dB MIN  
 80MHz - 100MHz -28dB MIN

CM TO DM REJ  
 100kHz - 100MHz -35 dB MIN

HIPDT (Isolation Voltage): 1500 Vrms or 2250VDC  
 100% OF PRODUCTION TESTED TO COMPLY WITH IEEE 802.3 ISOLATION REQUIREMENTS,

LED 1  
 VF (FORWARD VOLTAGE) IF=20mA YELLOW 2.1V TYP.  
 λD (DOMINANT WAVELENGTH) IF=20mA YELLOW 590nm TYP.

LED 2  
 VF (FORWARD VOLTAGE) IF=20mA GREEN 2.2V TYP.  
 λD (DOMINANT WAVELENGTH) IF=20mA ORANGE 2.0V TYP.  
 VF (FORWARD VOLTAGE) IF=20mA GREEN 570nm TYP.  
 λD (DOMINANT WAVELENGTH) IF=20mA ORANGE 605nm TYP.

OPERATING TEMPERATURE: 0°C TO +70°C.

**ORIGINATED BY**

CHOW WANCHUNG

DATE 2018-12-19

DRAWN BY XIE YIMING

DATE 2018-12-19

**TITLE**

glgablt MagJack®  
 (Low Profile, 12 cores)  
 L826-1X1T-23-F

**PART NO. / DRAWING NO.**

L8261X1T23-F

**FILE NAME**

L8261X1T23-F\_D.DWG

**STANDARD DIM.**

TOL. IN INCH

.X  
.XX  
.XXX

**[ ] METRIC DIM.**

AS REF.

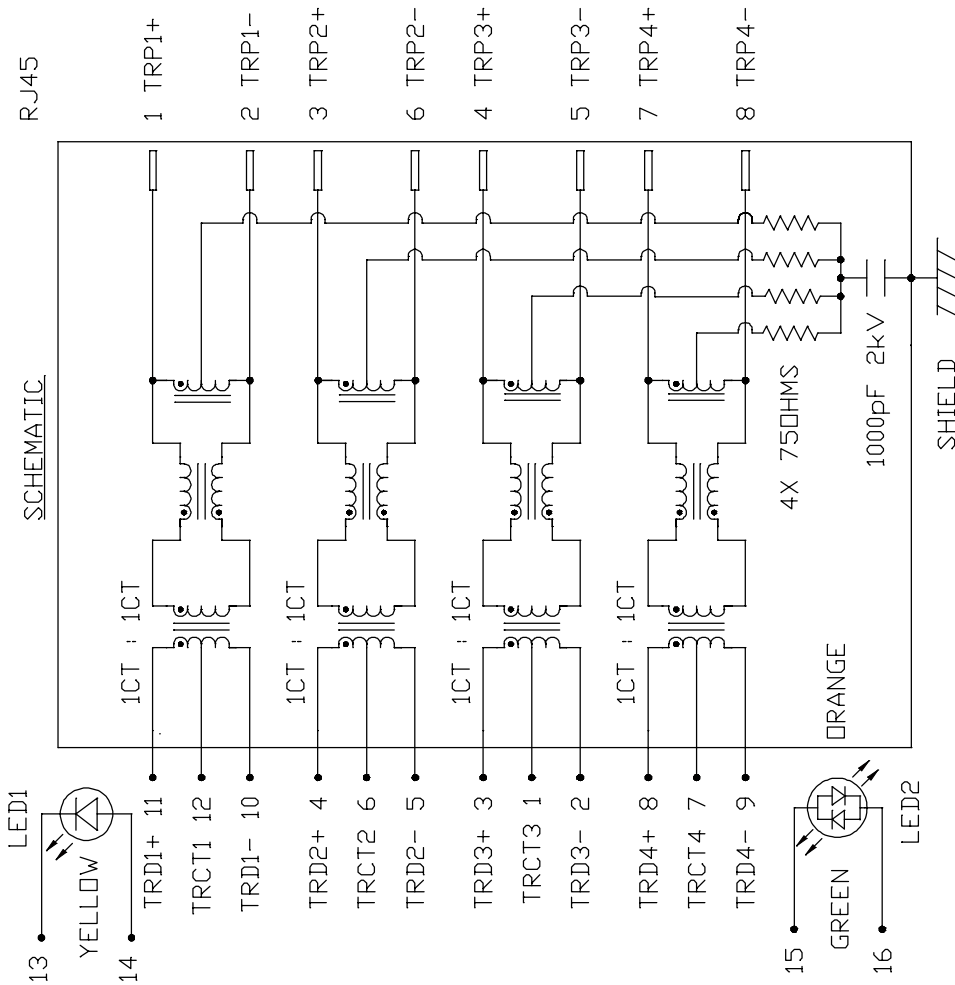
UNIT : INCH [mm]

SCALE : N/A

SIZE : A4

REV. : D PAGE : 2

**SCHEMATIC**



MAGNETIC SOLUTIONS

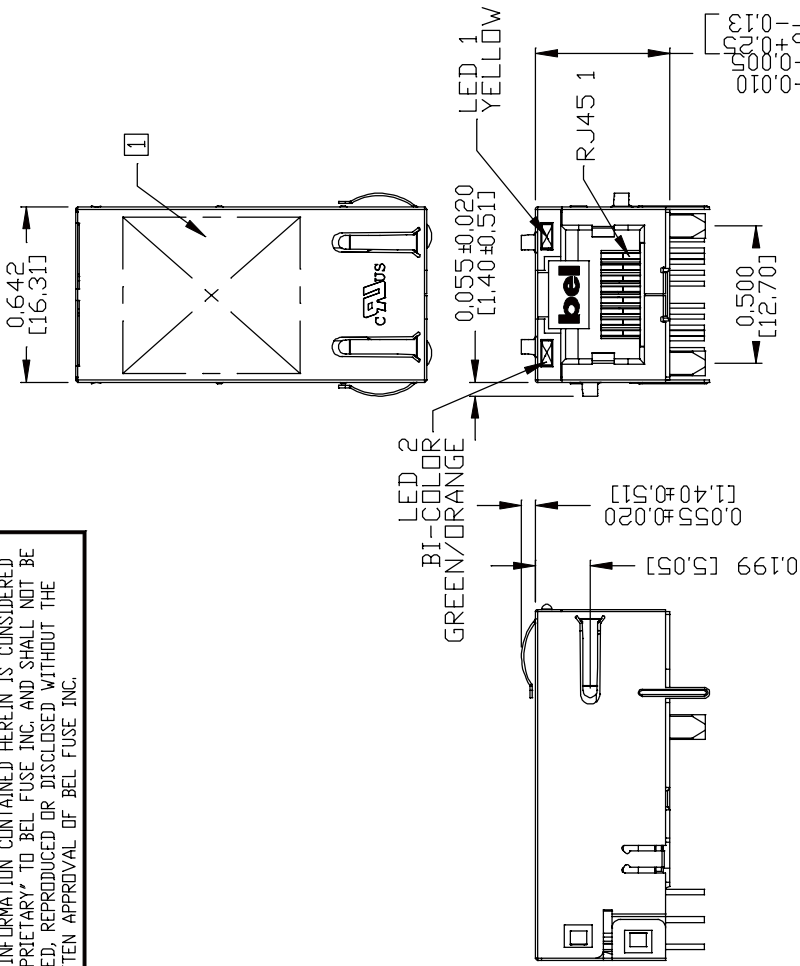
a bel group

This document is electronically generated. This is a controlled copy if used internally

DC002(2)120214

THE INFORMATION CONTAINED HEREIN IS CONSIDERED "PROPRIETARY" TO BEL FUSE INC. AND SHALL NOT BE COPIED, REPRODUCED OR DISCLOSED WITHOUT THE WRITTEN APPROVAL OF BEL FUSE INC.

RoHS



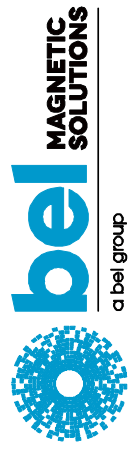
NOTES:

- PLASTIC HOUSING: THERMOPLASTIC PBT, BLACK FLAMMABILITY RATING UL 94V-0
- CONTACTS PLATING: 50 MICRO-INCH HARD GOLD PLATING OR EQUIVALENT
- PINS: TIN-COATED COPPER WIRE, DIA 0.018 INCH, 100 MICRO-INCH MIN MATTE TIN, PINS ARE SOLDER DIPPED.
- METAL SHIELD: NICKEL PLATED ON COPPER ALLOY <ALL GROUND LEADS ARE SOLDER DIPPED>
- [1] MARK PART WITH MFG. LOGO, MFG. NAME, PART NUMBER AND DATE CODE.
- 2. THE PRODUCT IS ROHS COMPLIANT.

- 3. JACK CAVITY CONFORMS TO FCC RULES AND REGULATIONS, **FUSUL** RECOGNIZED - FILE #E196366 AND E169987.
- 4. THE PART IS RECOMMENDED FOR WAVE SOLDERING. THE SUGGESTED PEAK WAVE SOLDERING CONDITION IS 260°C MAX AND 10 SECONDS MAX.

REV. : D		PAGE : 3	
STANDARD DIM. [ ] METRIC DIM. AS REF.		TOL. IN INCH	
.X		UNIT : INCH [mm]	
.XX		SCALE : N/A	
.XXX		SIZE : A4	
PART NO. / DRAWING NO.		L8261X1T23-F	
FILE NAME		L8261X1T23-F_D.DWG	
TITLE		gigabit MagJack® (Low Profile, 12 cores) L826-1X1T-23-F	
ORIGINATED BY		ANTON LIAD	
DATE		2018-12-19	
DRAWN BY		LI QUANKUN	
DATE		2018-12-19	

This document is electronically generated. This is a controlled copy if used internally



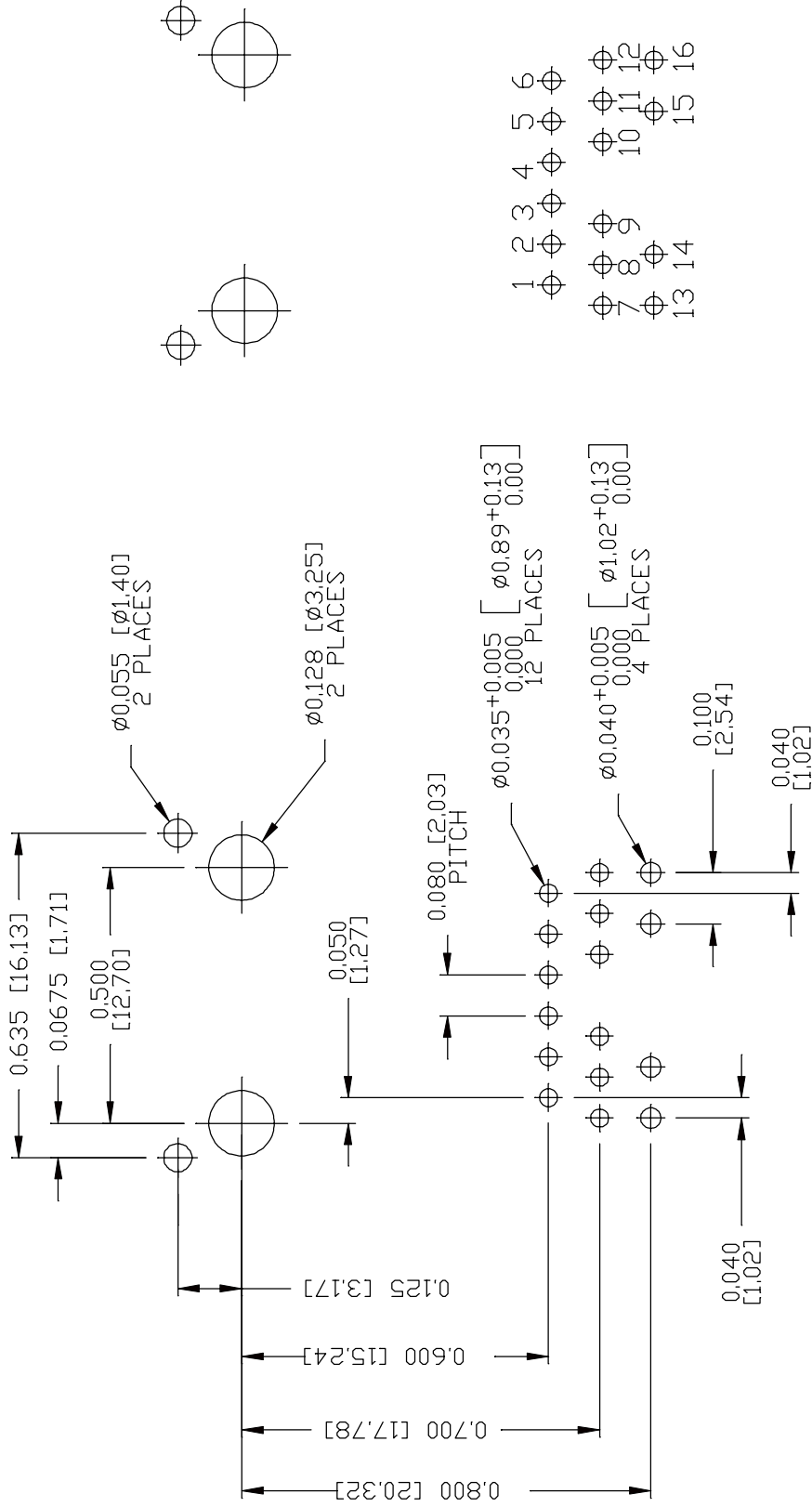
DC002(2)120214

THE INFORMATION CONTAINED HEREIN IS CONSIDERED "PROPRIETARY" TO BEL FUSE INC. AND SHALL NOT BE COPIED, REPRODUCED OR DISCLOSED WITHOUT THE WRITTEN APPROVAL OF BEL FUSE INC.

RoHS



RECOMMENDED PCB FOOTPRINT  
(COMPONENT SIDE VIEW)



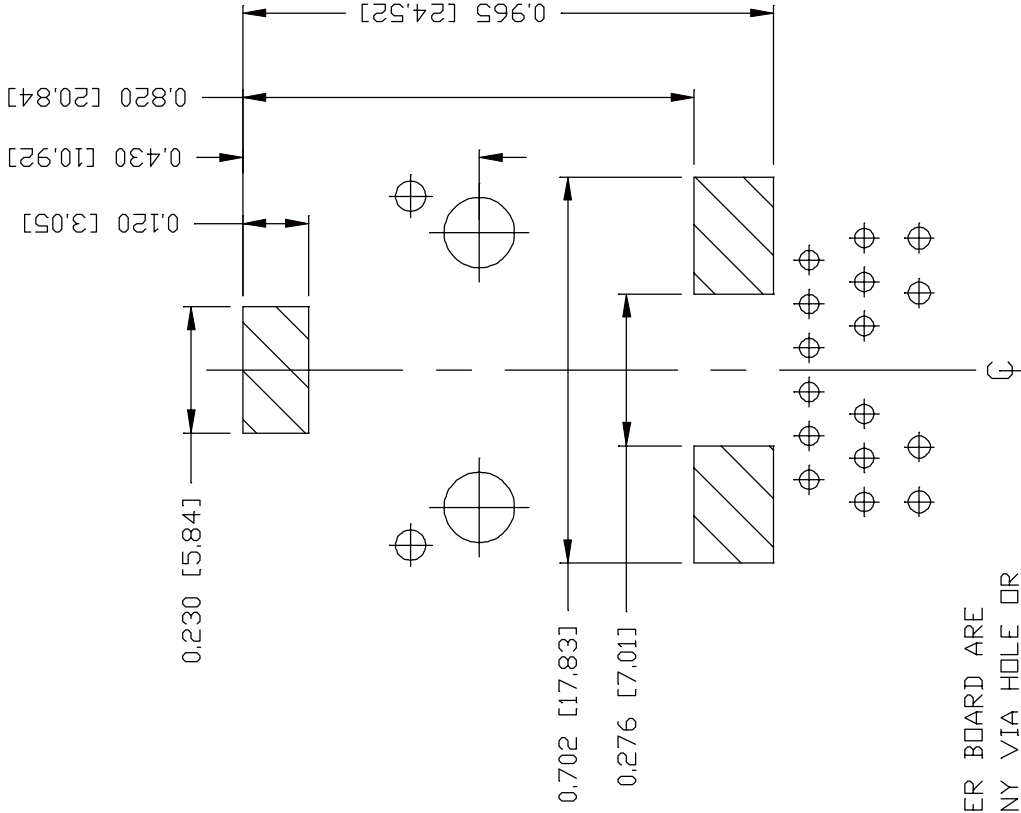
- 1  $\phi$
- 2  $\phi$
- 3  $\phi$
- 4  $\phi$
- 5  $\phi$
- 6  $\phi$
- 7  $\phi$
- 8  $\phi$
- 9  $\phi$
- 10  $\phi$
- 11  $\phi$
- 12  $\phi$
- 13 14
- 15 16



ORIGINATED BY ANTON LIAD		PART NO. / DRAWING NO. L8261X1T23-F		STANDARD DIM. TOL. IN INCH		[ ] METRIC DIM. AS REF.		REV. :	D	PAGE :	4
DATE 2018-12-19		FILE NAME L8261X1T23-F_D.DWG		.X		UNIT : INCH [mm]		 <b>MAGNETIC SOLUTIONS</b> a bel group			
DRAWN BY LI QUANKUN				.XX		SCALE : N/A					
DATE 2018-12-19				.XXX		SIZE : A4					
This document is electronically generated. This is a controlled copy if used internally											

THE INFORMATION CONTAINED HEREIN IS CONSIDERED "PROPRIETARY" TO BEL FUSE INC. AND SHALL NOT BE COPIED, REPRODUCED OR DISCLOSED WITHOUT THE WRITTEN APPROVAL OF BEL FUSE INC.

RoHS



**NOTE:**

THE SHADED AREA ON THE CUSTOMER BOARD ARE RECOMMENDED TO BE CLEAR OFF ANY VIA HOLE OR COMPONENT PAD.

**ORIGINATED BY**  
ANTON LIAO  
**DATE** 2018-12-19  
**DRAWN BY**  
LI GUANKUN  
**DATE** 2018-12-19

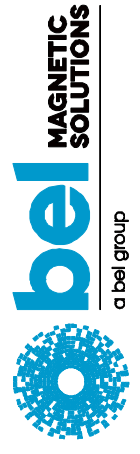
**TITLE**  
9lgabit MagJack®  
(Low Profile, 12 cores)  
L826-1X1T-23-F

**PART NO. / DRAWING NO.**  
L8261X1T23-F  
**FILE NAME**  
L8261X1T23-F\_D.DWG

**STANDARD DIM. TOL. IN INCH**  
.X  
.XX  
.XXX  
+0.004

**[ ] METRIC DIM. AS REF.**  
UNIT : INCH [mm]  
SCALE : N/A  
SIZE : A4

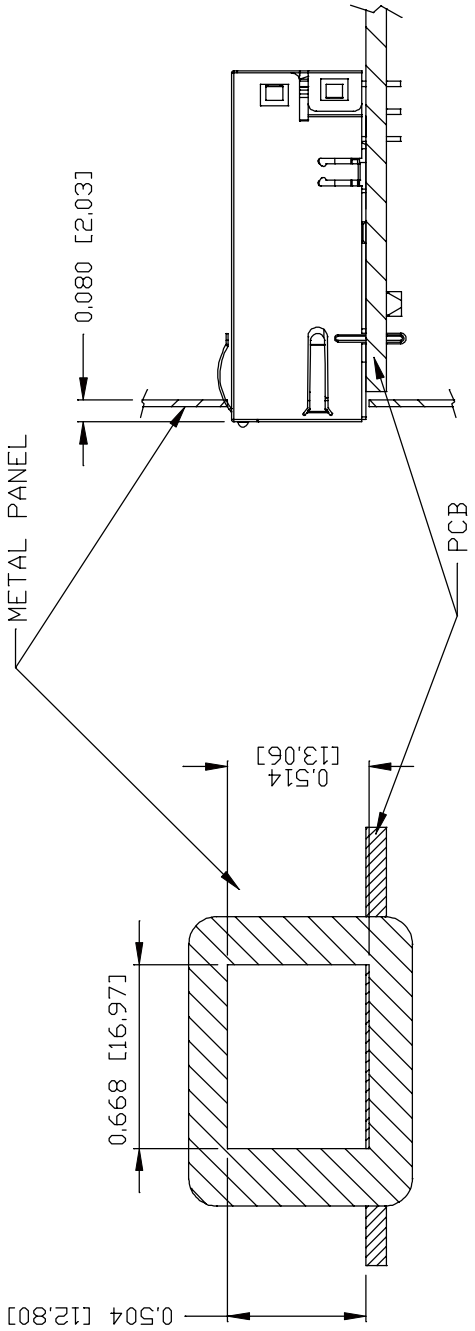
REV. : D PAGE : 5



THE INFORMATION CONTAINED HEREIN IS CONSIDERED "PROPRIETARY" TO BEL FUSE INC. AND SHALL NOT BE COPIED, REPRODUCED OR DISCLOSED WITHOUT THE WRITTEN APPROVAL OF BEL FUSE INC.



SUGGESTED PANEL OPENING



NOTE:

THE DISTANCE OF PANEL INSIDE SURFACE RELATIVE TO FRONT SURFACE OF PART IS ONLY A SUGGESTION. IN CASE THIS DISTANCE IS DIFFERENT, THE REQUIRED PANEL OPENING DIMENSIONS CHANGE ACCORDINGLY.

PACKING INFORMATION

PACKING TRAY: 0200-9999-D6 (TOP)  
0200-9999-D7 (BOTTOM)

PACKING QUANTITY: 40 PCS FINISHED GOODS PER TRAY  
11 TRAYS (440 PCS FINISHED GOODS) PER CARTON BOX

NOTE: CARDBOARDS ARE PLACED BETWEEN LAYERS OF PACKING TRAY INSIDE CARTON BOX  
<INCLUDE THE UPPERMOST AND LOWERMOST TRAY>

REV. : D		PAGE : 6	
<b>ORIGINATED BY</b> ANTON LIAO		<b>PART NO. / DRAWING NO.</b> L8261X1T23-F	
<b>DATE</b> 2018-12-19		<b>STANDARD DIM.</b> TOL. IN INCH	
<b>DRAWN BY</b> LI QUANKUN		[ ] METRIC DIM. AS REF.	
<b>DATE</b> 2018-12-19		UNIT : INCH [mm]	
<b>TITLE</b> gigabit MagJack® (Low Profile, 12 cores) L826-1X1T-23-F		SCALE : N/A	
<b>FILE NAME</b> L8261X1T23-F_D.DWG		SIZE : A4	

