



Input coupler Relay coupler, 1 change-over contact 24 V AC/DC Overall width 6.2 mm screw terminal Thermal current 6A

| | |
|---|---|
| product brand name | SIRIUS |
| product category | SIRIUS 3RQ3 coupling relays in slim design |
| product designation | Coupling relays with relay output (not plug-in) |
| design of the product | Input coupling link |
| product type designation | 3RQ3 |
| General technical data | |
| display version LED | Yes |
| product component | Yes |
| • relay output | Yes |
| • semi-conductor output | No |
| consumed active power | 0.3 W |
| insulation voltage for overvoltage category III according to IEC 60664 with degree of pollution 3 rated value | 300 V |
| surge voltage resistance rated value | 4 kV |
| maximum permissible voltage for safe isolation | |
| • between control and auxiliary circuit | 300 V |
| percental drop-out voltage related to the input voltage | 10 % |
| protection class IP | IP20 |
| shock resistance | |
| • acc. to IEC 60068-2-27 | sinusoidal half-wave 15g / 11 ms |
| vibration resistance | |
| • acc. to IEC 60068-2-6 | 6 ... 150 Hz: 2 g |
| operating frequency maximum | 72 000 1/h |
| switching behavior | monostable |
| mechanical service life (switching cycles) typical | 10 000 000 |
| thermal current | 6 A |
| reference code acc. to IEC 81346-2 | K |
| Control circuit/ Control | |
| control supply voltage at AC | |
| • at 50 Hz rated value | 24 V |
| • at 60 Hz rated value | 24 V |
| control supply voltage frequency | |
| • 1 rated value | 50 Hz |
| • 2 rated value | 60 Hz |
| control supply voltage at DC | |
| • rated value | 24 V |
| operating range factor control supply voltage rated value at DC | |

| | |
|--|--|
| <ul style="list-style-type: none"> initial value full-scale value | 0.8 1.25 |
| operating range factor control supply voltage rated value at AC at 50 Hz | |
| <ul style="list-style-type: none"> initial value full-scale value | 0.8 1.25 |
| operating range factor control supply voltage rated value at AC at 60 Hz | |
| <ul style="list-style-type: none"> initial value full-scale value | 0.8 1.25 |
| switch ON delay time | |
| <ul style="list-style-type: none"> at AC maximum at DC maximum | 12 ms 12 ms |
| OFF delay time | 14 ms |
| design of the relay operating mechanism | poled |
| product component plug-in socket | No |
| Short-circuit protection | |
| design of the fuse link for short-circuit protection of the auxiliary switch required | fuse gG: 4 A |
| Auxiliary circuit | |
| type of switching contact | Changeover contact |
| material of switching contacts | AgSnO ₂ |
| number of CO contacts for auxiliary contacts | 1 |
| operational current of auxiliary contacts at AC-15 | |
| <ul style="list-style-type: none"> at 24 V at 250 V | 3 A 3 A |
| operational current of auxiliary contacts at DC-13 | |
| <ul style="list-style-type: none"> at 24 V at 125 V at 250 V | 1 A 0.2 A 0.1 A |
| contact reliability of auxiliary contacts | one incorrect switching operation of 100 million switching operations (17 V, 5 mA) |
| Main circuit | |
| type of voltage | AC/DC |
| Inputs/ Outputs | |
| property of the output short-circuit proof | No |
| Outputs | |
| ampacity of the output relay at AC-15 at 250 V at 50/60 Hz | 3 A |
| ampacity of the output relay at DC-13 | |
| <ul style="list-style-type: none"> at 24 V at 125 V at 250 V | 1 A 0.2 A 0.1 A |
| Electromagnetic compatibility | |
| EMC emitted interference acc. to IEC 60947-1 | ambience A (industrial sector) |
| EMC immunity acc. to IEC 60947-1 | corresponds to degree of severity 3 |
| conducted interference | |
| <ul style="list-style-type: none"> due to burst acc. to IEC 61000-4-4 due to conductor-earth surge acc. to IEC 61000-4-5 due to conductor-conductor surge acc. to IEC 61000-4-5 | 2 kV 2 kV 1 kV |
| field-based interference acc. to IEC 61000-4-3 | 10 V/m |
| electrostatic discharge acc. to IEC 61000-4-2 | 6 kV contact discharge / 8 kV air discharge |
| Display | |
| display version as status display by LED | LED green |
| Connections/ Terminals | |
| product function removable terminal | No |
| type of electrical connection for auxiliary and control circuit | screw-type terminals |
| wire length | |

| | |
|---|---|
| <ul style="list-style-type: none"> • at AC maximum • at DC maximum | 500 m 1 000 m |
| type of connectable conductor cross-sections | |
| <ul style="list-style-type: none"> • solid • finely stranded with core end processing • at AWG cables solid | 1x (0.25 ... 2.5 mm ²) 1x (0.25 ... 1.5 mm ²) 1 x (20 ... 14) |
| <ul style="list-style-type: none"> • connectable conductor cross-section solid • connectable conductor cross-section finely stranded with core end processing | 0.25 ... 2.5 mm ² 0.25 ... 1.5 mm ² |
| <ul style="list-style-type: none"> • AWG number as coded connectable conductor cross section solid | 20 ... 14 |
| <ul style="list-style-type: none"> • tightening torque with screw-type terminals | 0.5 ... 0.6 N·m |

Installation/ mounting/ dimensions

| | |
|--|--|
| mounting position | any |
| fastening method | snap-on mounting |
| height | 93 mm |
| width | 6.2 mm |
| depth | 72.5 mm |
| required spacing | |
| <ul style="list-style-type: none"> • with side-by-side mounting <ul style="list-style-type: none"> — forwards — backwards — upwards — downwards — at the side • for grounded parts <ul style="list-style-type: none"> — forwards — backwards — upwards — at the side — downwards • for live parts <ul style="list-style-type: none"> — forwards — backwards — upwards — downwards — at the side | 0 mm 0 mm 0 mm 0 mm 0 mm 0 mm 0 mm 0 mm 0 mm 0 mm 0 mm 0 mm 0 mm 0 mm 0 mm |

Ambient conditions

| | |
|--|--|
| installation altitude at height above sea level maximum | 2 000 m |
| <ul style="list-style-type: none"> • ambient temperature during operation • ambient temperature during storage • ambient temperature during transport | -25 ... +60 °C -40 ... +85 °C -40 ... +85 °C |
| relative humidity during operation | 10 ... 95 % |

Certificates/ approvals

| | |
|---------------------------------|------------|
| General Product Approval | EMC |
|---------------------------------|------------|



| | | |
|----------------------------------|--------------------------|--------------|
| Declaration of Conformity | Marine / Shipping | other |
|----------------------------------|--------------------------|--------------|



Further information

Information- and Downloadcenter (Catalogs, Brochures,...)

<https://www.siemens.com/ic10>

Industry Mall (Online ordering system)

<https://mall.industry.siemens.com/mall/en/en/Catalog/product?mlfb=3RQ3038-1AB00>

Cax online generator

<http://support.automation.siemens.com/WW/CAXorder/default.aspx?lang=en&mlfb=3RQ3038-1AB00>

Service&Support (Manuals, Certificates, Characteristics, FAQs,...)

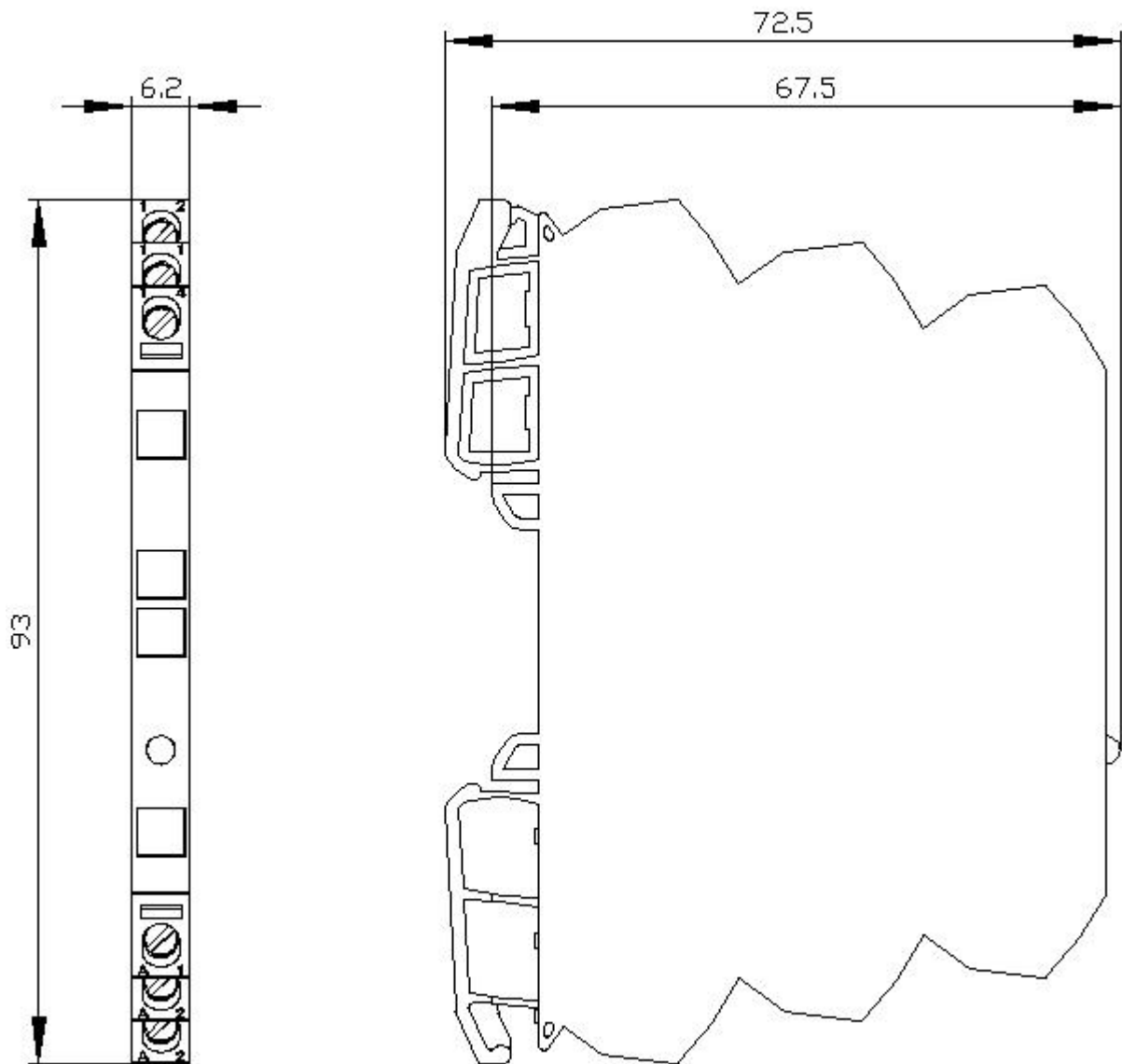
<https://support.industry.siemens.com/cs/ww/en/ps/3RQ3038-1AB00>

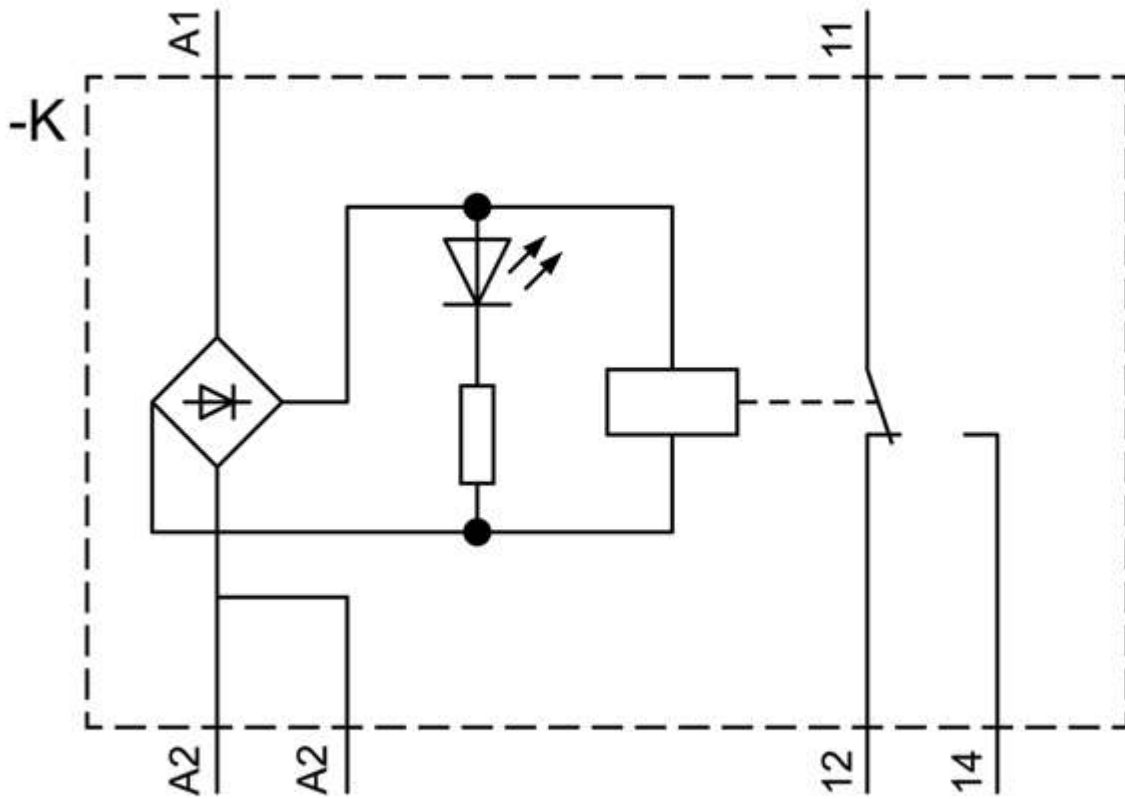
Image database (product images, 2D dimension drawings, 3D models, device circuit diagrams, EPLAN macros, ...)

http://www.automation.siemens.com/bilddb/cax_de.aspx?mlfb=3RQ3038-1AB00&lang=en

Characteristic: Derating

<https://support.industry.siemens.com/cs/ww/en/ps/3RQ3038-1AB00/manual>





last modified:

12/2/2020 [↗](#)