

### RB5P0090M

Video Interface ICs for TFT-LCDs

Under development

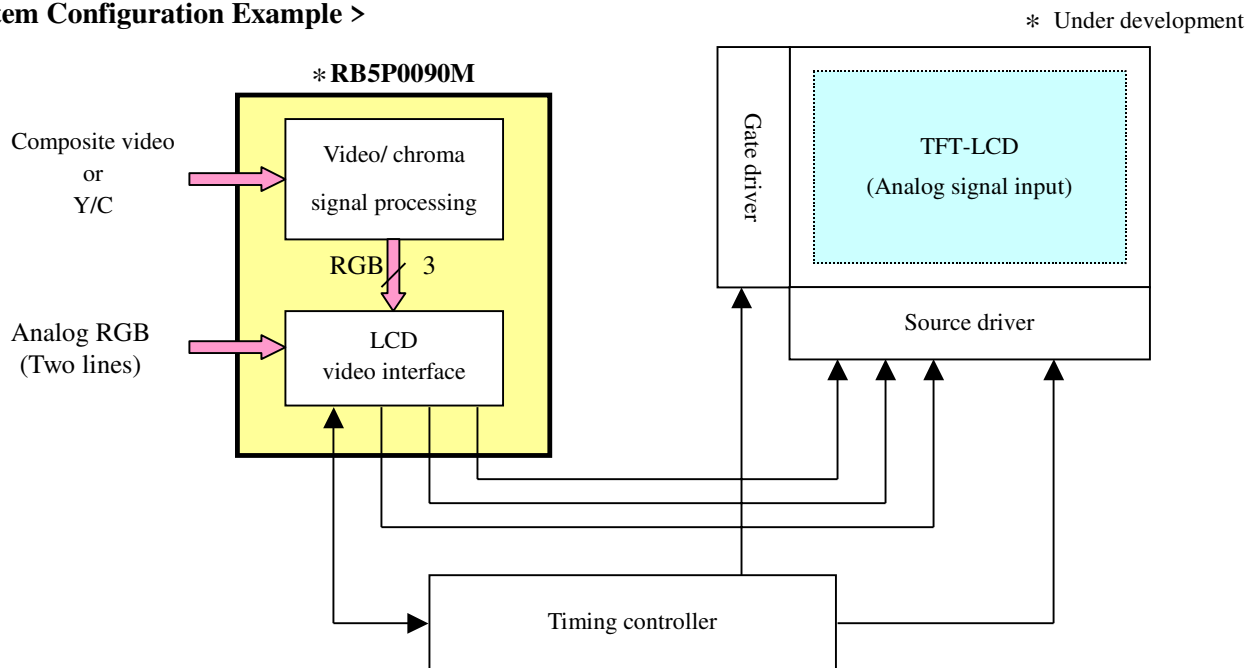
#### < Outline >

RB5P0090M is a video interface IC for a TFT liquid crystal display, working with the serial interface control built into the NTSC/PAL automatic change function of an input. It is highly suited to systems that display television images, such as car navigation system and portable DVD players.

#### < Main Specifications >

- For analog signal input TFT-LCD panel
- Automatic identification of color system
- Two RGB input lines (one for OSD)
- Built-in YTRAP
- Serial data control interface
- Power save function is available
- Supply voltage        4.5 to 5.5 V  
                                 11 to 14 V
- Power consumption: 250 mW (TYP.)
- Operating temperature: -40 to 85°C
- Package: 48QFP(P-QFP048-1010)

#### < System Configuration Example >



Contact SHARP in order to obtain the latest device specification sheets before using any SHARP device. Manufacturing locations are also subject to change without notice. In the absence of confirmation by device specification sheets, SHARP takes no responsibility for any defects that occur in equipment using any SHARP devices shown in catalogs, data books, etc. The circuit application examples in this publication are provided to explain representative applications of SHARP devices and are not intended to guarantee any circuit design or license any intellectual property right. SHARP takes no responsibility for any problems related to any intellectual property right of a third party resulting from the use of SHARP devices. SHARP reserves the right to make changes in the specifications, characteristics, data, materials, structures and other contents described herein at any time without notice in order to improve design or reliability.