



ISL Products International

50mm AC Power Inlet - Panel Mount w/ Fuse & Switch - 250 VAC / 10A

MIS-I-80485 INLET

ISL Products designs and manufactures unique, application specific electromechanical components for a variety of applications and industries. If this product is not exactly what your looking for, contact us for a more suitable solution!



Contact Us for alternative solutions!

Electrical Specifications

Rated Voltage:	250 VAC	Withstand Voltage:	2000 VAC (1 min)
Rated Current:	10 A	Insulation Resistance:	> 100MΩ (@ 500 VDC)

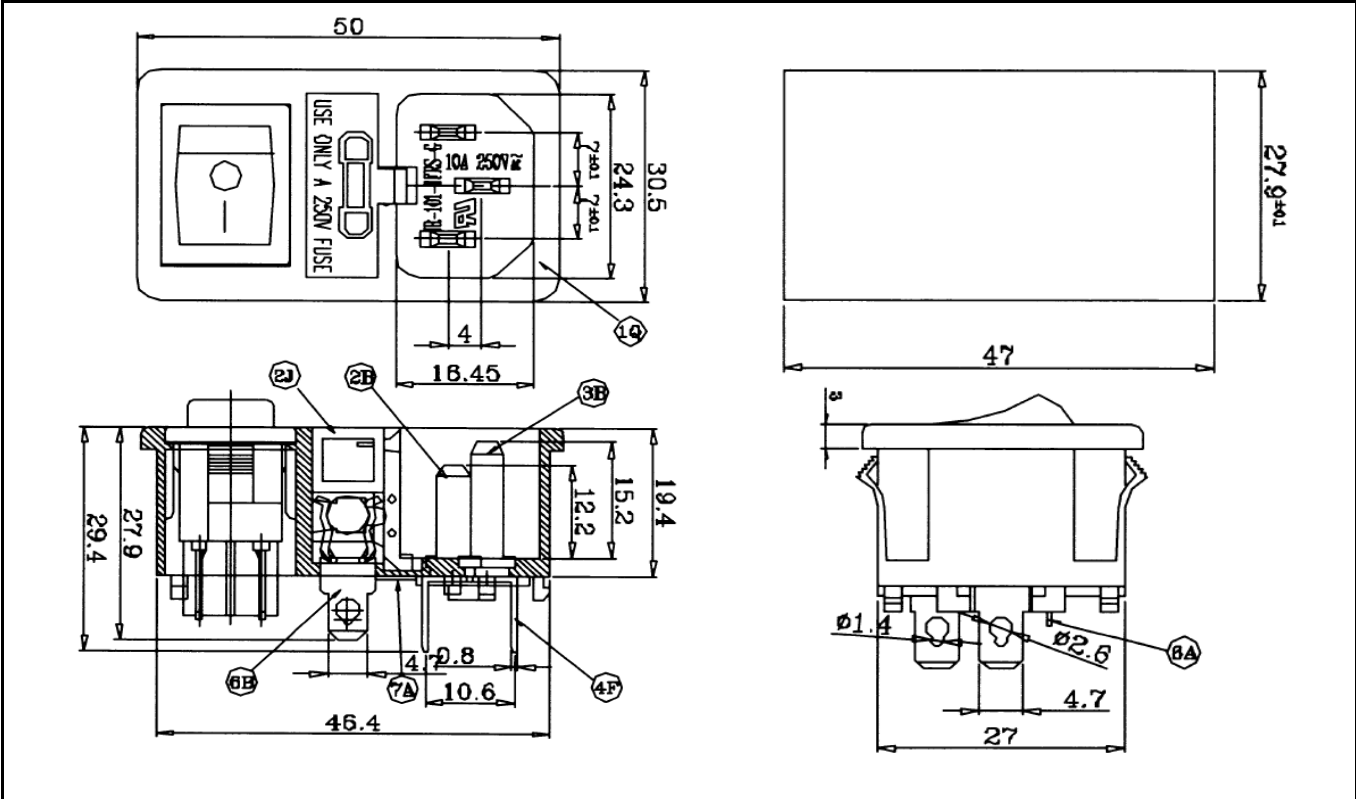
Environmental Specifications

Min. Operating Temp:	-25°C / -13°F	Max. Operating Temp:	85°C / 185°F
----------------------	---------------	----------------------	--------------

Additional Specifications

Housing Material:	Nylon #66	Safety:	UL, CE, D, N, S, F
Input Connection:	C14		

Dimensions



© 2020 ISL Products International Ltd. Specifications subject to change without notice.

