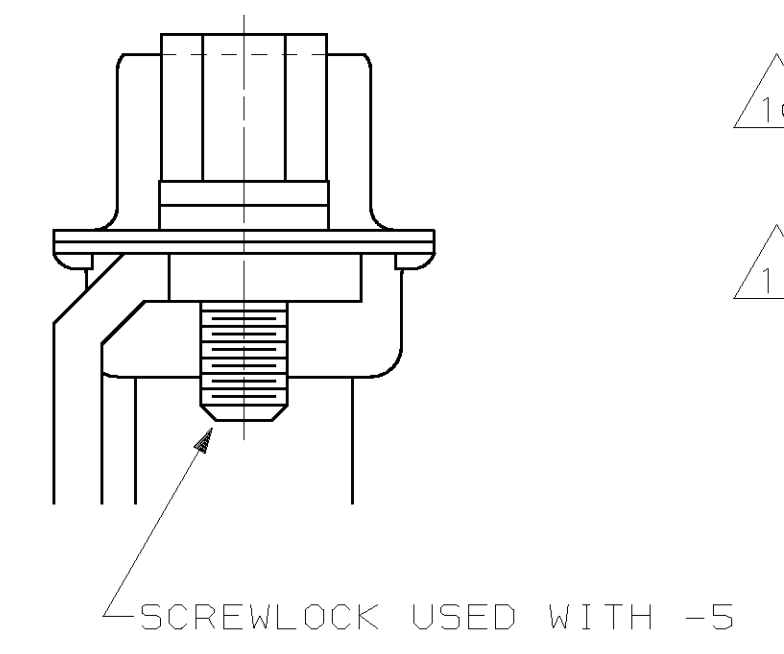
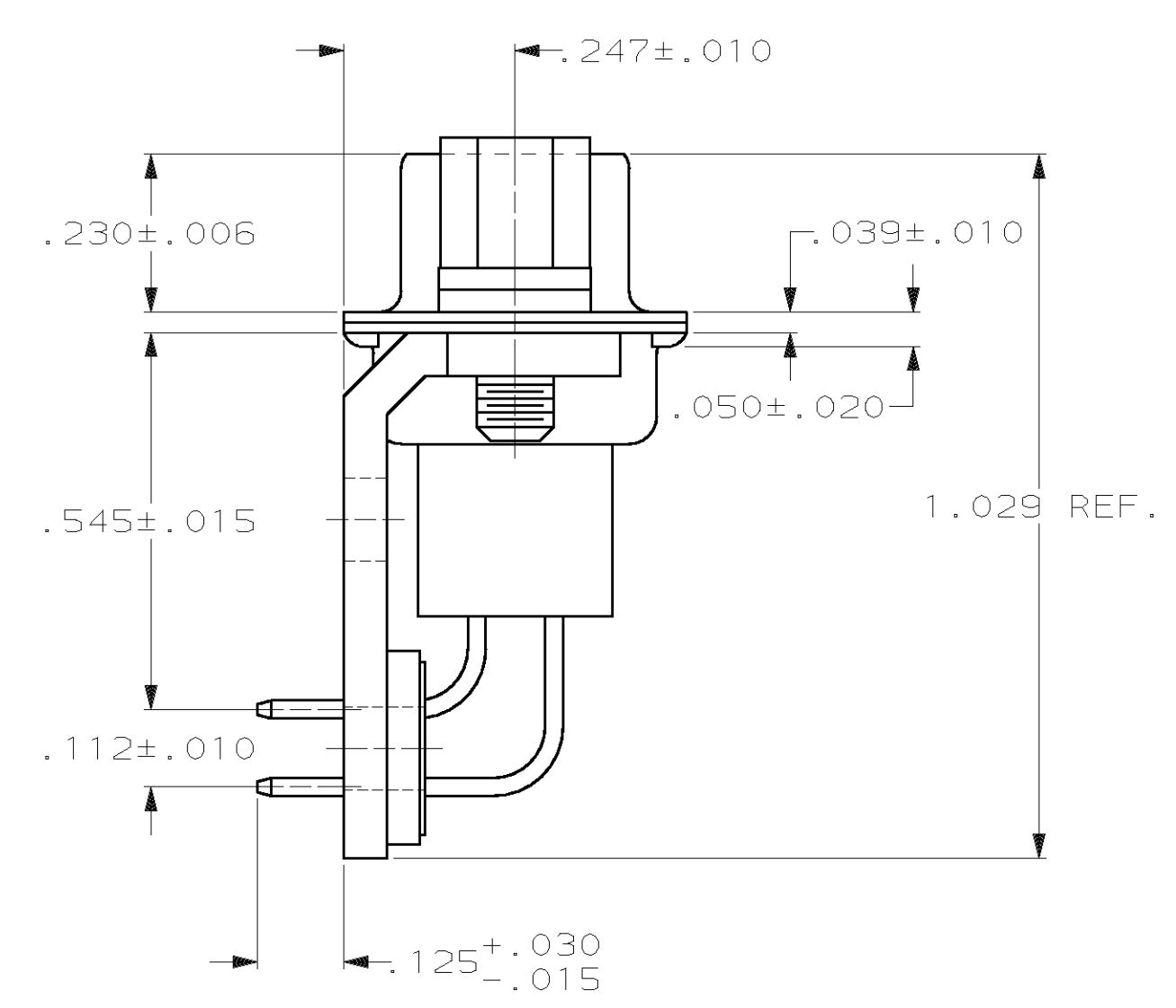
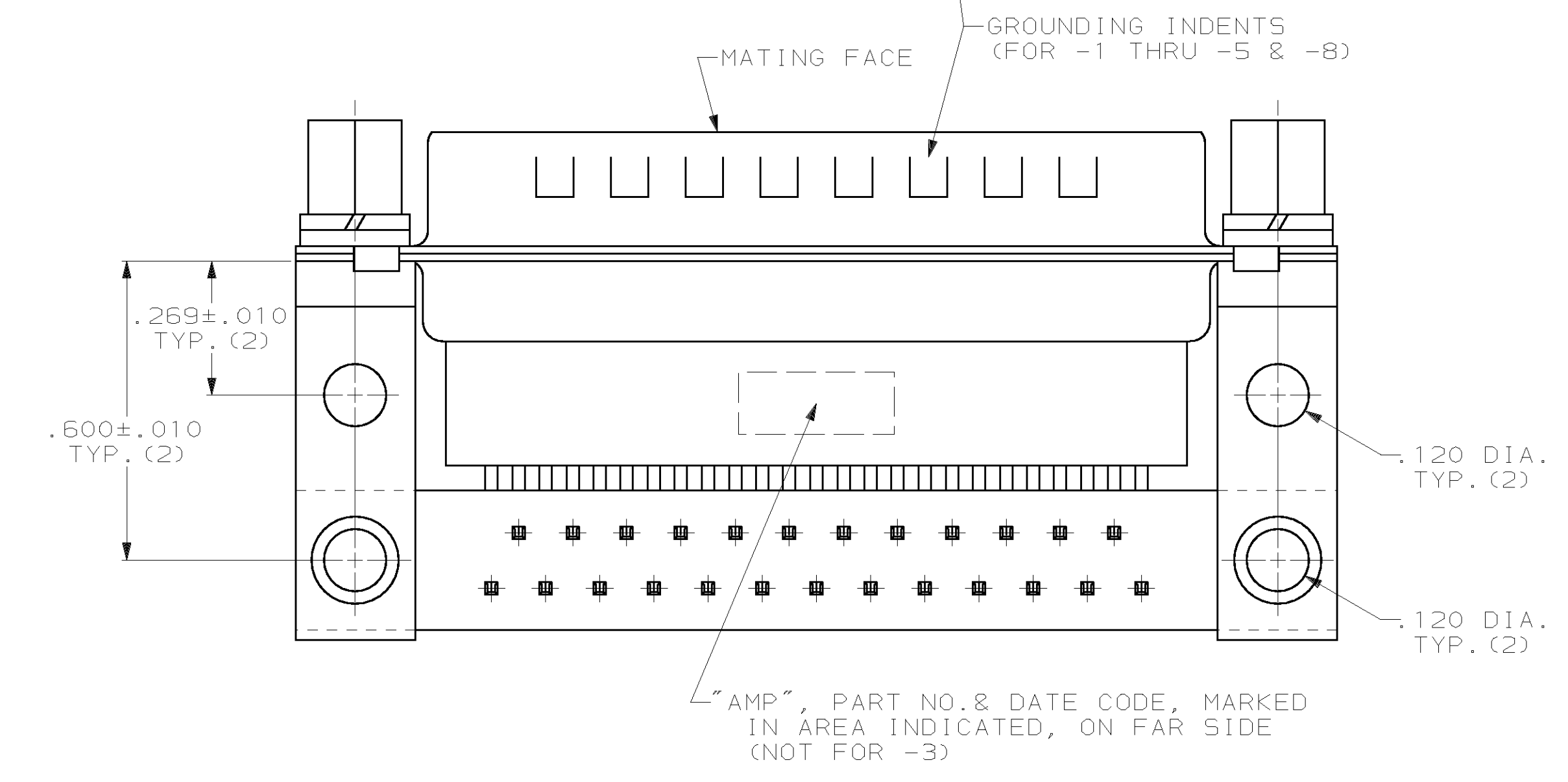
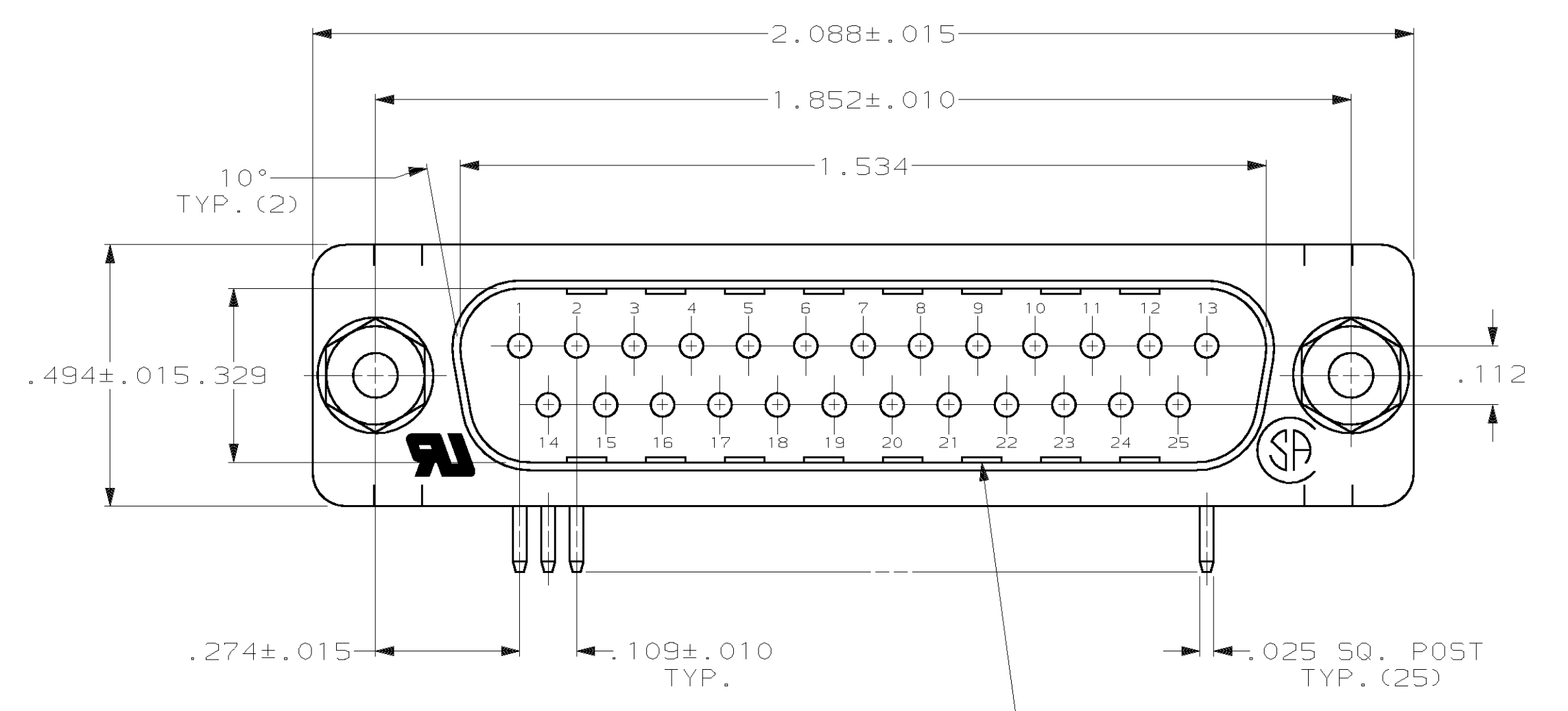
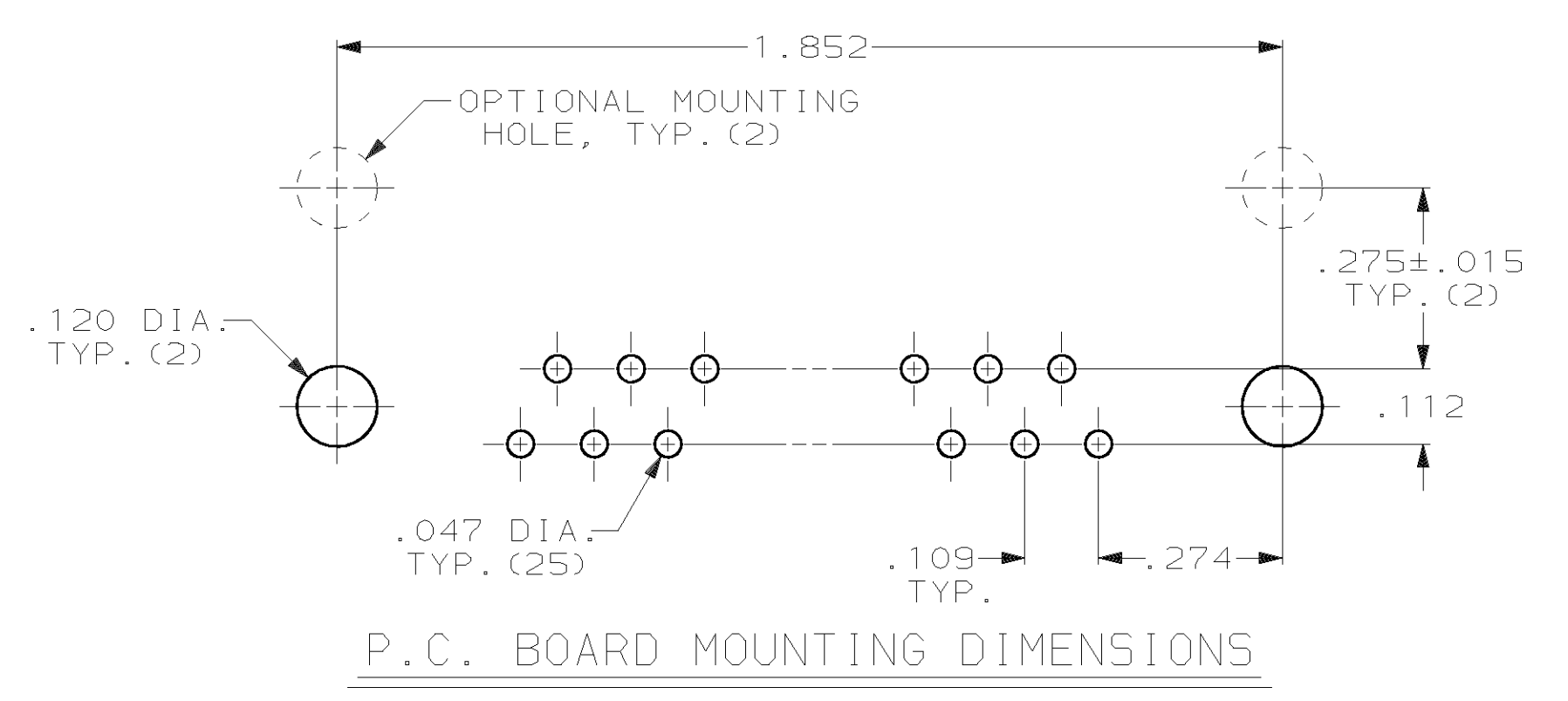


LOC	DIST	P	F	ZONE	LTR	DESCRIPTION	DATE	APPD
GP	00							
					D	REDRAW & OBS -4 PER EC 0020-617-93	08/18/93	-
					E	SUPERSEDED -3 & -5 PER EC 0020-587-96	27 FEB 97	RT
					F	REV PER EC 0640-429-98	18 FEB 99	RT
					G	REV PER EC 001D-0275-00	03JAN02	JR



- CONNECTOR MATES WITH ANY 25 POS. RECEPTACLE IN AMPLIMITE SERIES & COMPLIES WITH AMP SPEC. 108-40,005 WHERE APPLICABLE.
- FLAME RETARDANT 94V-0 RATED THERMOPLASTIC; COLOR: BLACK.
- STEEL PER ASTM A109.
- BRASS PER MIL-C-50.
- SCREWLOCKS: STEEL PER ASTM A109, WASHERS: STEEL PER ASTM A108.
- TIN PLATING PER MIL-T-10727, ZINC PLATING PER ASTM B633, TYPE III; CLASS SC1, CLEAR CHROMATE, GOLD PLATING PER MIL-G-45204, NICKEL PLATING PER QQ-N-290.
- TIN PLATED.
- ZINC PLATED.
- GOLD PLATED FOR LENGTH OF .150 MIN FROM MATING END, GOLD FLASH IN MATED AREA, .000100 MIN TIN-LEAD ON OPPOSITE END, BOTH OVER .000050 MIN NICKEL.
- GOLD PLATED FOR LENGTH OF .150 MIN FROM MATING END, .000030 MIN GOLD IN MATED AREA, .000100 MIN TIN-LEAD ON OPPOSITE END, BOTH OVER .000050 MIN NICKEL.
- LOCK WASHERS ARE FOR -1, -2, -4, -5, -6, -7 & -8, PLAIN WASHERS ARE FOR -1, -2, -5, -6 & -7.



OBSOLETE	△	747022-8
OBSOLETE	△	747022-7
OBSOLETE	△	747022-6
SUPSD BY 747022-2	△	747022-5
OBSOLETE	△	747022-4
SUPSD BY 747022-2	△	747022-3
	△	747022-2
OBSOLETE	△	747022-1
	△	CONTACT FINISH
	△	PART NUMBER

DO NOT SCALE PRINT. UNLESS SPECIFIED DIMENSIONS IN INCHES TOLERANCES ON: 2 PLC DEC ± 3 PLC DEC ± .005 ANGLES ± 2°	DR 8-27-84 J.GERACE CHK 8-27-84 J.GERACE APPD 9-19-84 C.MACKRIDES APPD 9-19-84 J.ASSINI	AMP AMP Incorporated Harrisburg, PA 17105-3608	
MATERIAL MOLDED PARTS: △ SHELLS & BRACKETS: △ CONTACTS: △ HARDWARE: △ FINISH: △ SHELLS & BRACKETS: △ HARDWARE: △ CONTACTS: SEE TABLE	PRODUCT SPEC - APPLICATION SPEC -	NAME PLUG ASSEMBLY, SIZE 3, 25 POS., RIGHT ANGLE, .545 SERIES, .025 SQ. POSTS, W/ SCREWLOCKS, AMPLIMITE™ HDP	SIZE D
	WEIGHT -	CAGE CODE 00779	DRAWING NO. C-747022
		SCALE NTS	SHEET 1 OF 1

THIS DRAWING IS A CONTROLLED DOCUMENT FOR AMP INCORPORATED. IT IS SUBJECT TO CHANGE AND THE CONTROLLING ENGINEERING ORGANIZATION SHOULD BE CONTACTED FOR THE LATEST REVISION.