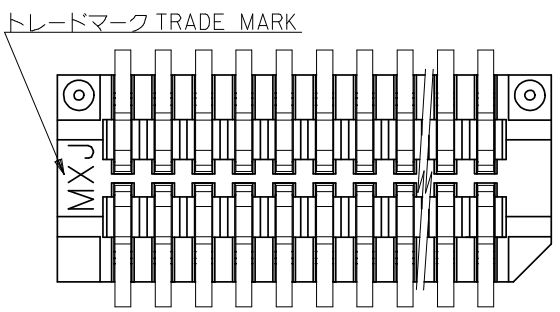
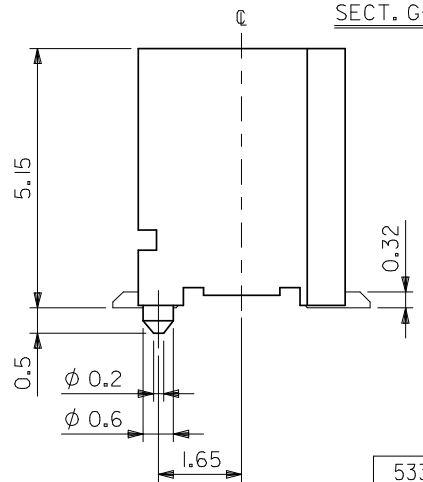
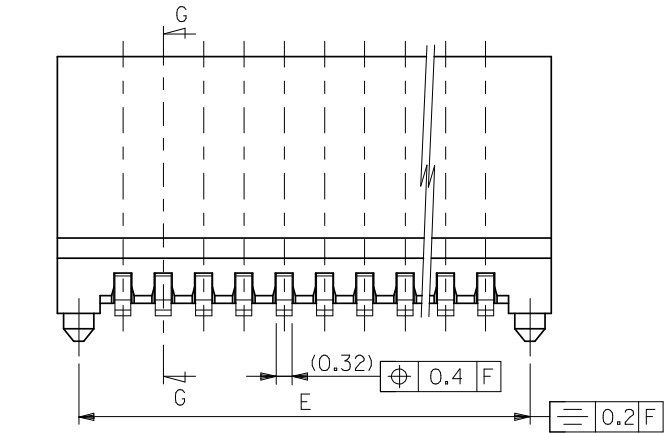


注記 NOTES

1. 嵌合相手: 52465 シリーズ
MATES WITH: 52465 SERIES
2. ウェハーの ϕ から隣接するピンの ϕ 迄の位置を示す。
SHOW POSITION FROM ϕ OF WAFER TO ϕ OF ADJACENT PINS.
3. 本製品は 53364-**17 の鉛フリー品である。
THIS PRODUCT IS LEAD FREE OF 53364-**17



| | | | | | | | | |
|------------|---|---|---|---|---|--------------|----|------|
| 53364-**19 | E | D | C | B | A | MATERIAL NO. | 極数 | CKT. |
| MODEL NO. | E | D | C | B | A | MATERIAL NO. | 極数 | CKT. |

| | | | | | | |
|------|-----|------|------|------|------------|----|
| 17.0 | 0.4 | 17.8 | 16.9 | 15.2 | 53364-4019 | 40 |
| 15.4 | 0.4 | 16.2 | 15.3 | 13.6 | 53364-3619 | 36 |
| 13.0 | 0.8 | 13.8 | 12.9 | 11.2 | 53364-3019 | 30 |
| 12.2 | 0.4 | 13.0 | 12.1 | 10.4 | 53364-2819 | 28 |
| 9.0 | 0.4 | 9.8 | 8.9 | 7.2 | 53364-2019 | 20 |
| 8.2 | 0.8 | 9.0 | 8.1 | 6.4 | 53364-1819 | 18 |
| 5.8 | 0.4 | 6.6 | 5.7 | 4.0 | 53364-1219 | 12 |
| 5.0 | 0.8 | 5.8 | 4.9 | 3.2 | 53364-1019 | 10 |

| | | | | | | | |
|---------------------------------------------------------------------------------------------------------------------|---------------------------------------|--------------|----------------------------|-------------------------------------------------------------------------------------------------------------------------------|----------------------------------------------------------------------|------------------------|------------------------|
| REVISED EC NO: J2008-3931 DRWN: MAKURAA 2008/05/26 CHKD: T. HARIYAMA 2008/05/26 APPR: NUKITA 2008/08/21 | GENERAL TOLERANCES (UNLESS SPECIFIED) | | DIMENSION STYLE MM ONLY | | SCALE --- | DESIGN UNITS METRIC | THIRD ANGLE PROJECTION |
| | 10 UNDER | ±0.2 | DRAWN BY M. NABEI | | TITLE 0.8 BOARD TO BOARD CONN. WAFER ASS ST.SMT -LEAD FREE- | | |
| | 10 OVER 30 UNDER | ±0.25 | CHECKED BY K. TOJO | | MOLEX INCORPORATED DOCUMENT NO. SD-53364-001 SHEET NO. 1 OF 1 | | |
| | 30 OVER | ±0.3 | APPROVED BY M. SASAO | | | | |
| ANGULAR | ±3 ° | MATERIAL NO. | | SEE TABLE | | | |
| DRAFT WHERE APPLICABLE MUST REMAIN WITHIN DIMENSIONS | | SIZE A3 | | THIS DRAWING CONTAINS INFORMATION THAT IS PROPRIETARY TO MOLEX INCORPORATED AND SHOULD NOT BE USED WITHOUT WRITTEN PERMISSION | | | |