

• 1N5283UR-1 THRU 1N5314UR-1 AVAILABLE IN JAN, JANTX, JANTXV AND JANS

PER MIL-PRF-19500/463

- CURRENT REGULATOR DIODES
- LEADLESS PACKAGE FOR SURFACE MOUNT
- METALLURGICALLY BONDED

1N5283UR-1 thru 1N5314UR-1
and
CDLL5283 thru CDLL5314

MAXIMUM RATINGS

Operating Temperature: -65°C to +175°C
Storage Temperature: -65°C to +175°C
DC Power Dissipation: 500mW @ +75°C @ $T_{EC} = +125^{\circ}C$
Power Derating: 10 mW / °C above $T_{EC} = +125^{\circ}C$
Peak Operating Voltage: 100 Volts

ELECTRICAL CHARACTERISTICS @ 25°C, unless otherwise specified

CDI TYPE NUMBER	REGULATOR CURRENT I_p (mA) @ $V_S = 25V$			MINIMUM DYNAMIC IMPEDANCE @ $V_S = 25V$ Z_S (M) (Note 1)	MINIMUM KNEE IMPEDANCE @ $V_K = 6.0V$ Z_K (M) (Note 2)	MAXIMUM LIMITING VOLTAGE @ $I_L = 0.8 I_p$ (min) V_L (VOLTS)
	NOM	MIN	MAX			
CDLL5283	0.22	0.198	0.242	25.0	2.75	1.00
CDLL5284	0.24	0.216	0.264	19.0	2.35	1.00
CDLL5285	0.27	0.243	0.297	14.0	1.95	1.00
CDLL5286	0.30	0.270	0.330	9.0	1.60	1.00
CDLL5287	0.33	0.297	0.363	6.6	1.35	1.00
CDLL5288	0.39	0.351	0.429	4.10	1.00	1.05
CDLL5289	0.43	0.387	0.473	3.30	0.870	1.05
CDLL5290	0.47	0.423	0.517	2.70	0.750	1.05
CDLL5291	0.56	0.504	0.616	1.90	0.560	1.10
CDLL5292	0.62	0.558	0.682	1.55	0.470	1.13
CDLL5293	0.68	0.612	0.748	1.35	0.400	1.15
CDLL5294	0.75	0.675	0.825	1.15	0.335	1.20
CDLL5295	0.82	0.738	0.902	1.00	0.290	1.25
CDLL5296	0.91	0.819	1.001	0.880	0.240	1.29
CDLL5297	1.00	0.900	1.100	0.800	0.205	1.35
CDLL5298	1.10	0.990	1.210	0.700	0.180	1.40
CDLL5299	1.20	1.08	1.32	0.640	0.155	1.45
CDLL5300	1.30	1.17	1.43	0.580	0.135	1.50
CDLL5301	1.40	1.26	1.54	0.540	0.115	1.55
CDLL5302	1.50	1.35	1.65	0.510	0.105	1.60
CDLL5303	1.60	1.44	1.76	0.475	0.092	1.65
CDLL5304	1.80	1.62	1.98	0.420	0.074	1.75
CDLL5305	2.00	1.80	2.20	0.395	0.061	1.85
CDLL5306	2.20	1.98	2.42	0.370	0.052	1.95
CDLL5307	2.40	2.16	2.64	0.345	0.044	2.00
CDLL5308	2.70	2.43	2.97	0.320	0.035	2.15
CDLL5309	3.00	2.70	3.30	0.300	0.029	2.25
CDLL5310	3.30	2.97	3.63	0.280	0.024	2.35
CDLL5311	3.60	3.24	3.96	0.265	0.020	2.50
CDLL5312	3.90	3.51	4.29	0.255	0.017	2.60
CDLL5313	4.30	3.87	4.73	0.245	0.014	2.75
CDLL5314	4.70	4.23	5.17	0.235	0.012	2.90

NOTE 1 Z_S is derived by superimposing A 90Hz RMS signal equal to 10% of V_S on V_S

NOTE 2 Z_K is derived by superimposing A 90Hz RMS signal equal to 10% of V_K on V_K

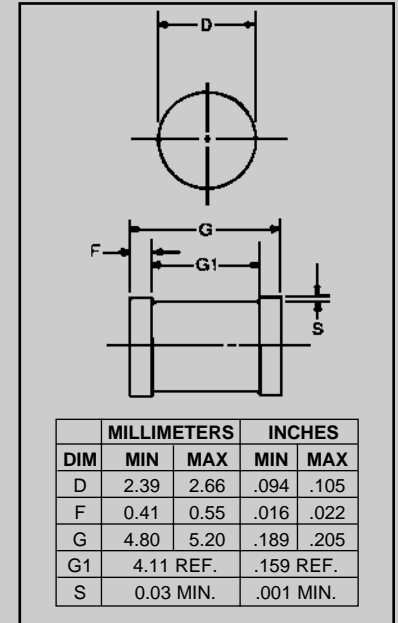


FIGURE 1

DESIGN DATA

CASE: DO-213AB, Hermetically sealed glass case. (MELF, LL41)

LEAD FINISH: Tin / Lead

THERMAL RESISTANCE: ($R_{\theta JC}$): 50 °C/W maximum at L = 0 inch

THERMAL IMPEDANCE: ($Z_{\theta JX}$): 25 °C/W maximum

POLARITY: Diode to be operated with the banded (cathode) end negative.

MOUNTING SURFACE SELECTION: The Axial Coefficient of Expansion (COE) Of this Device is Approximately +6PPM/°C. The COE of the Mounting Surface System Should Be Selected To Provide A Suitable Match With This Device.



CDLL5283 thru CDLL5314



FIGURE 2 TEMPERATURE COEFFICIENT

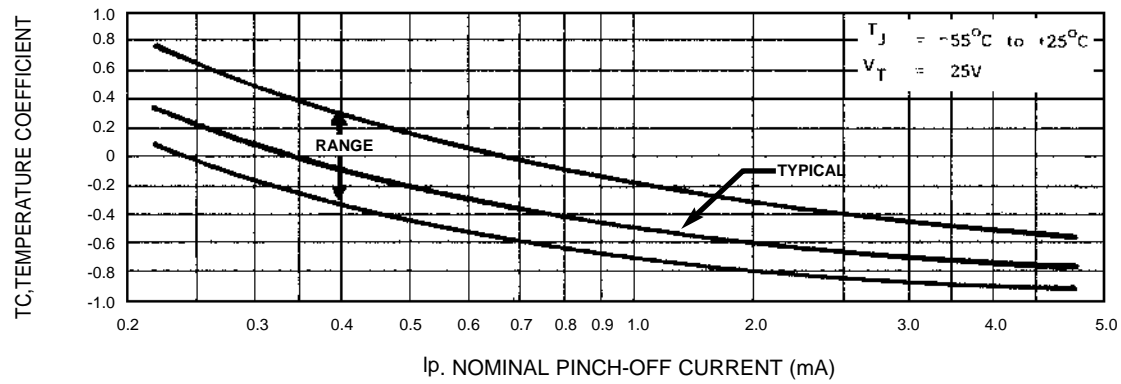


FIGURE 3 TEMPERATURE COEFFICIENT

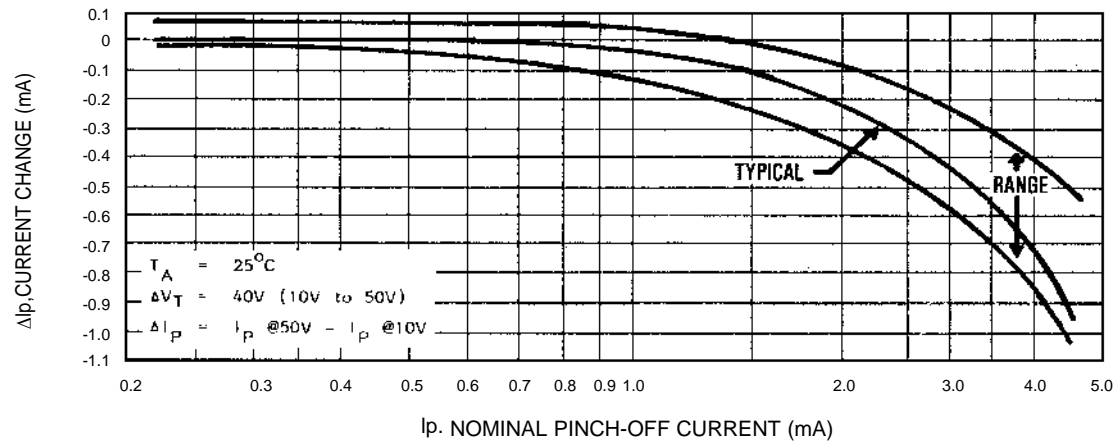


FIGURE 4 CURRENT REGULATION FACTOR