

# READERS WITHOUT LED

## CZ-0 (xxx)



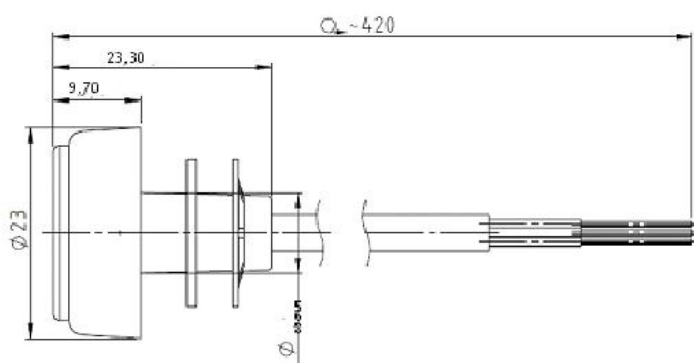
**Plastic casing**

**Available versions: chromium plated or stainless steel**

**[SUS316]**

**Standard wire length – 40 cm**

**Chromium plated version is not suitable for hard environmental conditions (we suggest using stainless steel readers))**



Technical data for chromium plated version.

The reader is designer to work with Maxim Dallas chips series DS19xx

|                         |  |
|-------------------------|--|
| 1.Wires :               | White – 1 wire signal<br>Brown - GND           |
| 2.Application           | Acces control device                           |
| 3.Casing                | Plastic (polyacetal)                           |
| 4.Ring material         | Ferrite steel + Cu + Ni + Cr <sup>+3</sup>     |
| 5.Signal joint material | Brass + Ni +Cr <sup>+3</sup>                   |
| 6.Wire                  | 2*0,25mm <sup>2</sup> (technokabel)            |
| 7.Fastening method      | retaining ring                                 |
| 8.Work enviroment       | Residential, commercial and lightly industrial |
| 9.Working temperature   | From -40 °C to +85 °C                          |
| 10.Humidity             | Up to 70%                                      |