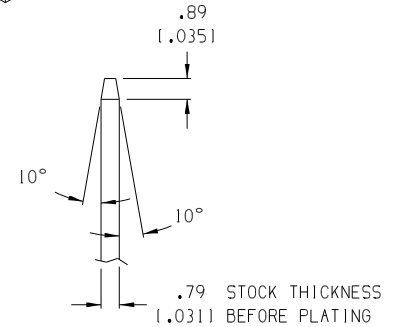
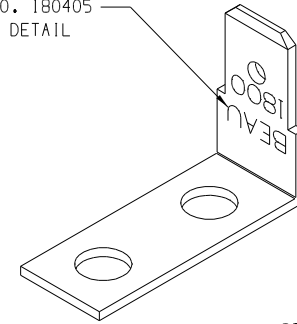


REF. DWG. NO. 180405  
FOR IMPRINT DETAIL



**DETAIL "Z"**  
**SCALE 5:1**

**NOTES:**

1. MATERIAL: SEE TABLE
2. FINISHES: SEE TABLE
3. PRODUCT SPECIFICATION: NOT REQUIRED
4. PACKAGING: NOT REQUIRED
5. MATES WITH: NONE
6. INCH DIMS ARE SHOWN IN PARENTHESIS (XXX)

380020277	70/30 BRASS, HALF HARD	TIN PLATED
MATERIAL NO.	DESCRIPTION	FINISH

EC NO. RELEASED DRWN: RK CH'KS: APPR:  A	DESCRIPTION MAJOR CRITICAL SPC S	GENERAL TOLERANCES: (UNLESS SPECIFIED)		SCALE 3:1	DESIGN UNITS <input type="checkbox"/> mm <input checked="" type="checkbox"/> INCH	THIRD ANGLE PROJECTION <input checked="" type="checkbox"/> mm <input type="checkbox"/> INCH <input type="checkbox"/> mm ONLY	DRAWN BY & DATE R. KEMP 8-15-05	TITLE: TERMINAL, FAST TAB VR, 1815
		4 PLACES ±.0015	INCH ±.005	DRAWN BY & DATE R. KEMP 8-15-05	CHECKED BY & DATE			
		3 PLACES ±.038	INCH ±.005	CHECKED BY & DATE	APPROVED BY & DATE			
		2 PLACES ±.13	INCH ±.01	APPROVED BY & DATE	CAD FILENAME 180413			
1 PLACE ±.3		INCH ±.01	ANGULAR: ±2°	CAD FILENAME 180413	MATERIAL NO. SEE CHART	DRAWING NO. SD-38002-0277	SHEET NO. 1 OF 1	
DRAFT WHERE APPLICABLE MUST REMAIN WITHIN DIMENSIONS		THIS DRAWING CONTAINS INFORMATION THAT IS PROPRIETARY TO MOLEX INCORPORATED AND SHOULD NOT BE USED WITHOUT WRITTEN PERMISSION.		MOLEX INCORPORATED		SIZE B		