

# CNC Motor Bracket - Blue

SKU: 61810 Weight: 65.00 Gram

## Description :

CNC Motor Bracket is specially designed for fixing 555 High-speed CNC Motor on your projects. With the 4mm through holes on this bracket, you are able to connect it to other Makeblock parts to create projects.

This bracket can be used together with 555 High-speed CNC Motor and some cutting tools to build a CNC machine or a bench-type drilling machine or turn a 3D printer to a CNC machine.

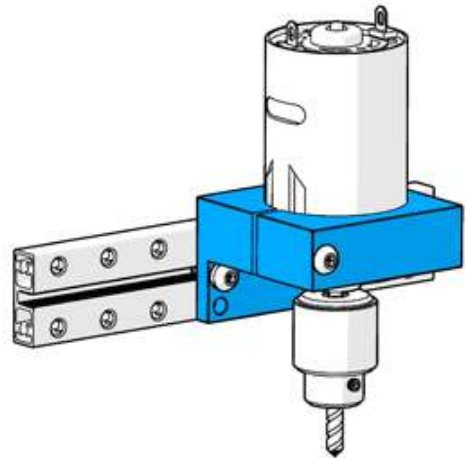
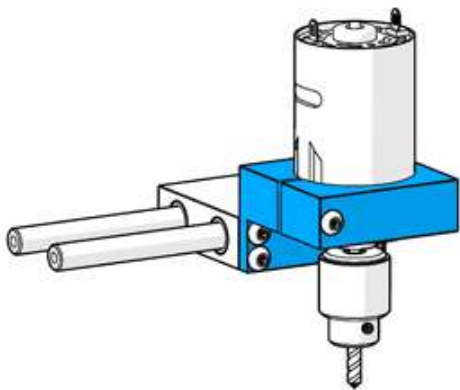
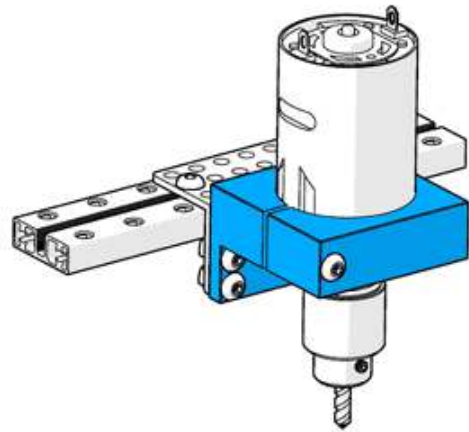
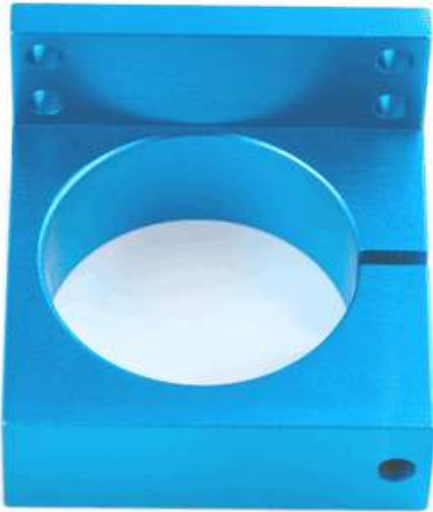
## Features:

- Can be connected to Slide with Copper Sleeve, Bracket 3x6, all Beam0824 series and Beam2424 series perfectly;
- Made from heavy-duty 6061 aluminum extrusion with anodized surface for long-time use;
- Great machining accuracy and mechanical intensity;
- 4mm through holes on the bracket for easy assembling.

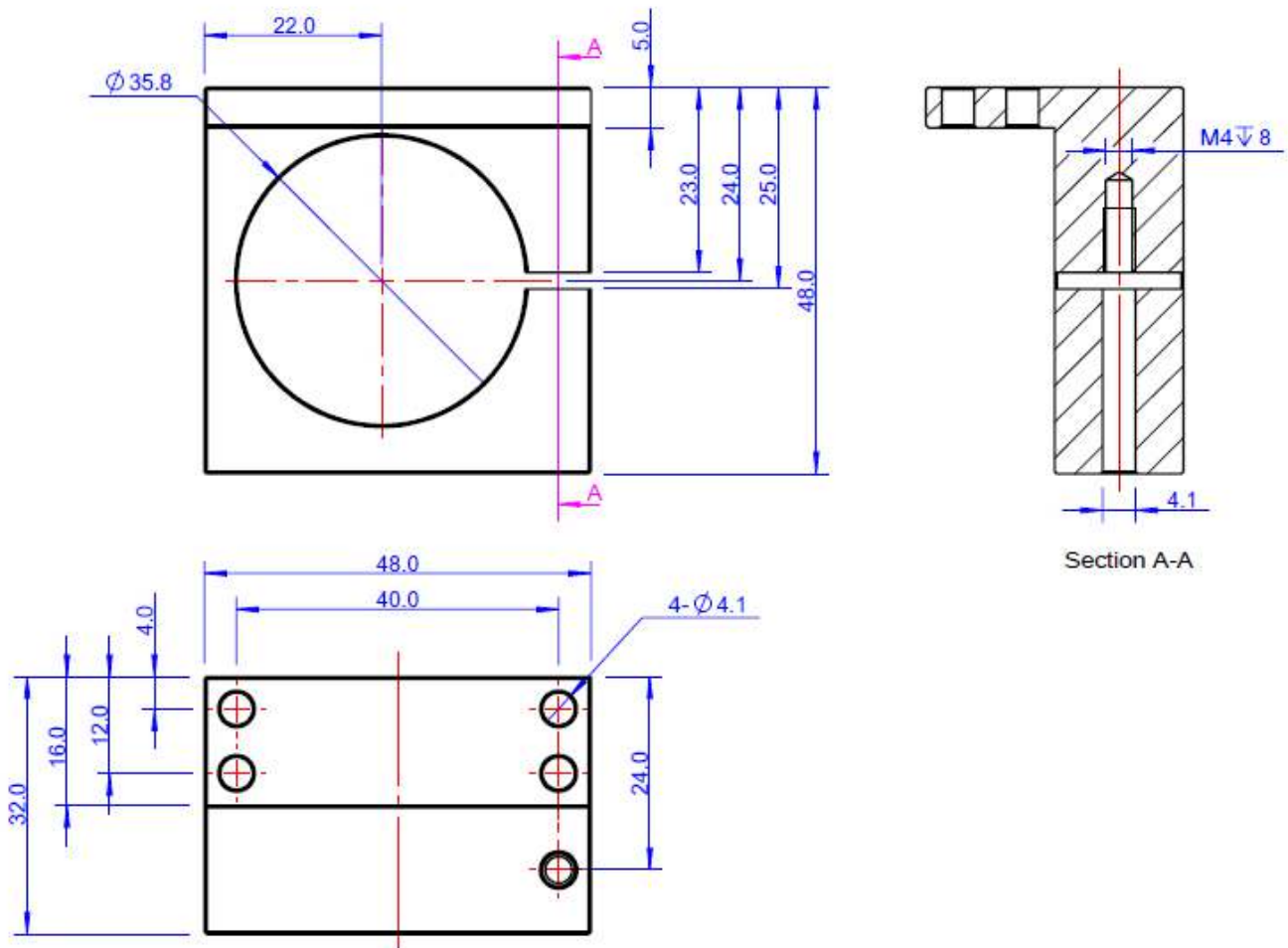
## Specification:

- Material: 6061 Aluminum;
- Product Dimension (L\*W\*H): 48 x 48 x 32mm (1.88 x 1.88 x 1.25inch);
- Net Weight: 62g (2.19oz);

## Building Examples:



## Size Chart:



## Part List:

1 x CNC Motor Bracket – Blue