

THIS DRAWING IS UNPUBLISHED.

RELEASED FOR PUBLICATION

20

© COPYRIGHT 20 BY -

ALL RIGHTS RESERVED.

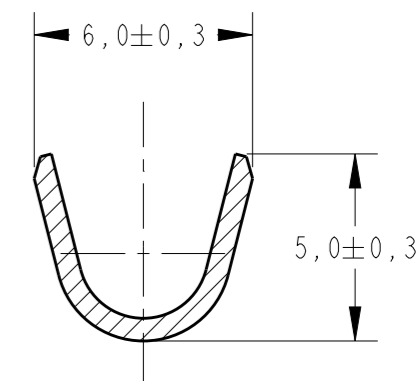
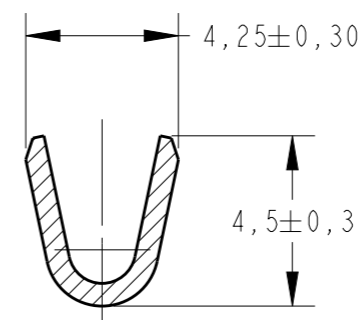
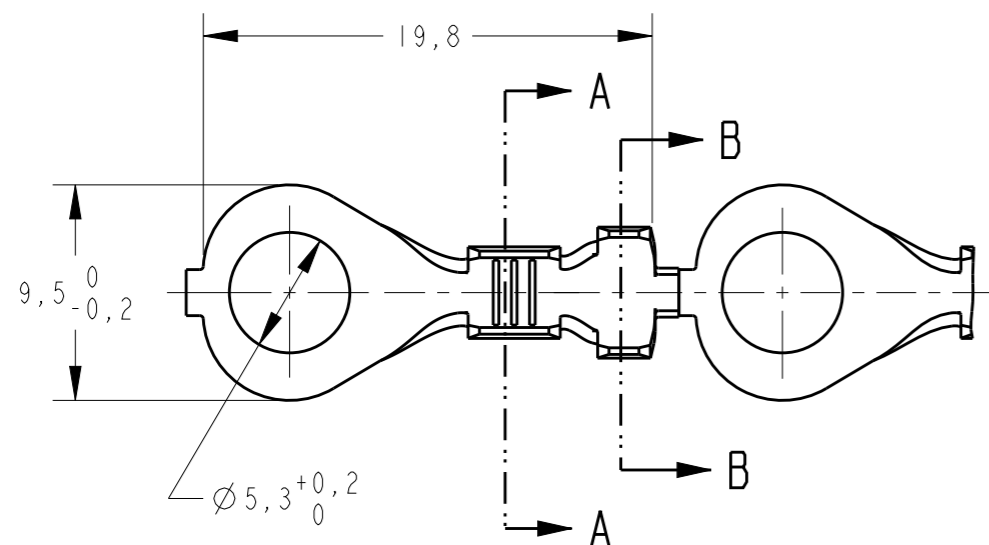
LOC  
AP

DIST  
-

REVISIONS

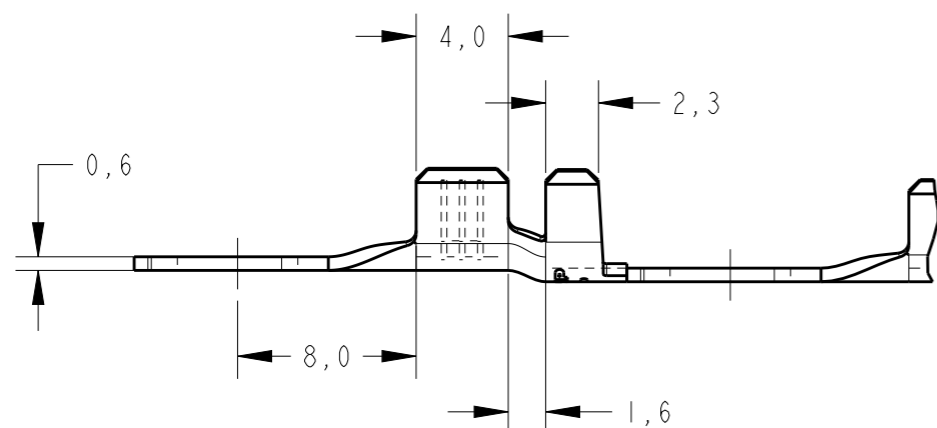
P	LTR	DESCRIPTION	DATE	DWN	APVD
	E3	REVISED BY ECO 16-005813	18JULY2016	HC	WLS

**creo**  
Creo Parametric 2.0  
**DO NOT REVISE  
EXCEPT BY CAD**



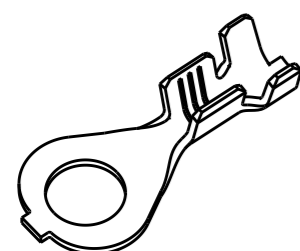
SECTION A-A  
SCALE 5:1

SECTION B-B  
SCALE 5:1




△ - REBOBINAR COM PAPEL INTERCALADO  
- REELING WITH PAPER INTERLEAVE

	Ø 2,2-3,8mm	1,0-2,5mm <sup>2</sup>	ESTANHADO / TIN PLATED	LATÃO / BRASS	626033-5 △
<b>OBSOLETE</b>	Ø 2,2-3,8mm	1,0-2,5mm <sup>2</sup>	ESTANHADO / TIN PLATED	BRONZE FOSFOROSO/PHOSP. BRONZE	626033-4
<b>OBSOLETE</b>	Ø 2,2-3,8mm	1,0-2,5mm <sup>2</sup>	ESTANHADO / TIN PLATED	BRONZE FOSFOROSO/PHOSP. BRONZE	626033-3
	Ø 2,2-3,8mm	1,0-2,5mm <sup>2</sup>	ESTANHADO / TIN PLATED	LATÃO / BRASS	626033-2
	—	—	—	LATÃO / BRASS	626033-1
	INSUL RANGE	WIRE RANGE	FINISH	MATERIAL	PART NO



PERSPECTIVE VIEW  
SCALE 2:1

THIS DRAWING IS A CONTROLLED DOCUMENT.

DIMENSIONS: mm	TOLERANCES UNLESS OTHERWISE SPECIFIED: 0 PLC ±- 1 PLC ±0,3 2 PLC ±- 3 PLC ±- 4 PLC ±- ANGLES ±1°	DWN 06 JUN 2014 NCLAPRESA CHK 06 JUN 2014 FCFORTUNATO APVD 06 JUN 2014 DAOLIVEIRA	 TE Connectivity	
MATERIAL SEE TABLE	FINISH SEE TABLE	PRODUCT SPEC -	NAME RING TONGUE	
		APPLICATION SPEC -	SIZE A3	CAGE CODE 00779
		WEIGHT -	DRAWING NO C-626033	RESTRICTED TO -
		CUSTOMER DRAWING	SCALE 3:1	SHEET 1 OF 1 REV E3