

# Data sheet

## SM01W01VXNN05G1 13-inch Reel solder pad/component side

P/N  
ASM01W0164-5G16

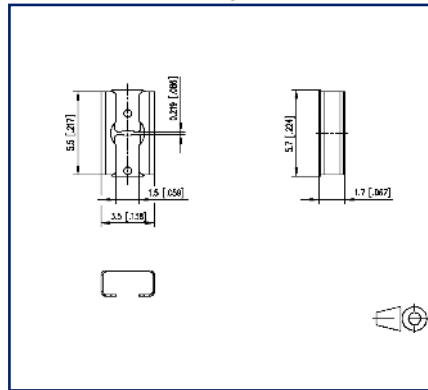
2023/06/28

Version: T

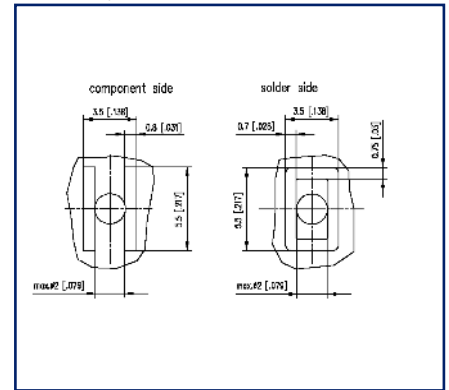
### Illustrations



Dimensional drawing



PCB-Layout



See enlarged drawings at the end of document

### Product specification

- spring clamp terminal block, SMT solderable
- one-way contact
- direction of connection vertical 0°
- Tape & Reel packaging

## Technical Data

### General Data

min. number of poles	1
max. number of poles	1
Protection category	IP00
Min. insul. strip length	4 mm
Rated current	13 A

### Terminal data

rat.wiring solid AWGmax	0.1 mm <sup>2</sup> - 0.75 mm <sup>2</sup> / AWG 26 - AWG 18
-------------------------	--

### Material

contact material	CuBe
Contact surface	Ni + Sn

### Climatic Data

upper limit temperature	150 °C
lower limit temperature	-40 °C

### general

Tolerance	ISO 2768 -mH
Solderability	Acc. to IPC/JEDEC J-STD-020D-MSL 1

### Sicherheitshinweis

Safety instructions	Components have to be fixed in a way to prevent any transmission of forces on to the contact. Components with more than one pin are recommended.
---------------------	--

Data sheet

Page 3/6

## SM01W01VXNN05G1 13-inch Reel solder pad/component side

P/N  
ASM01W0164-5G16

2023/06/28

Version: T

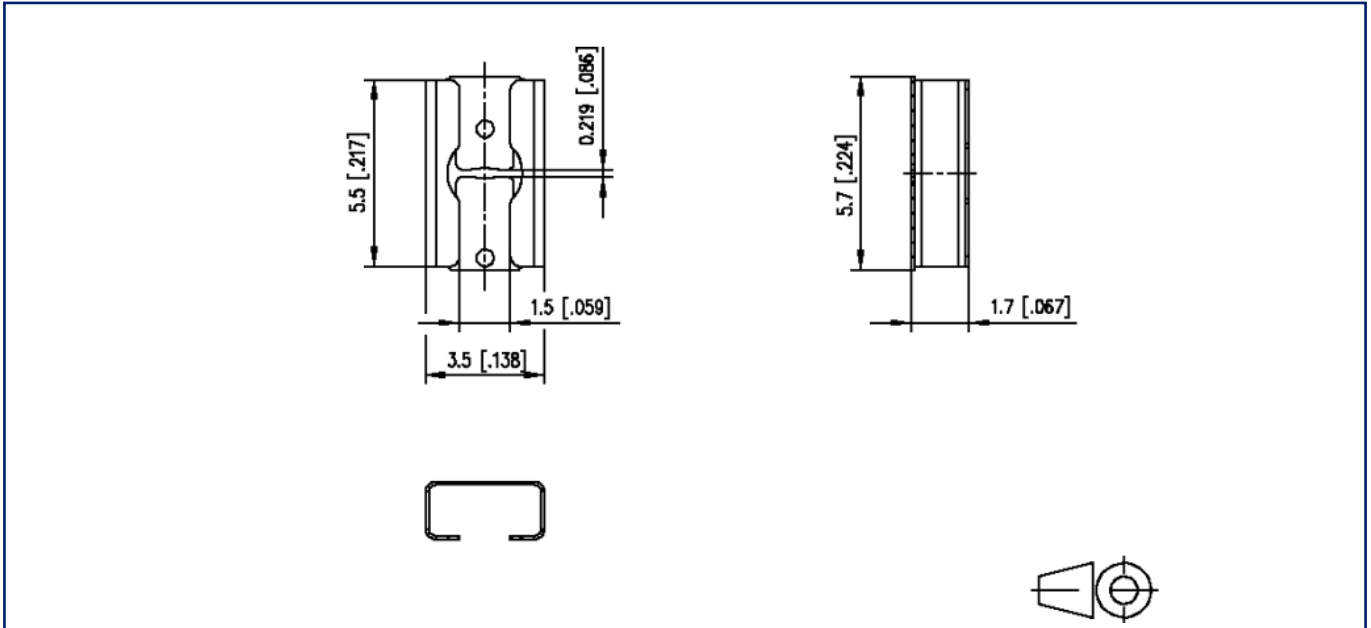
### Counterpart

P/N	Designation
709023	Tape_ASM01Y_16mm K03547 Tape_ASM01Y_16mm

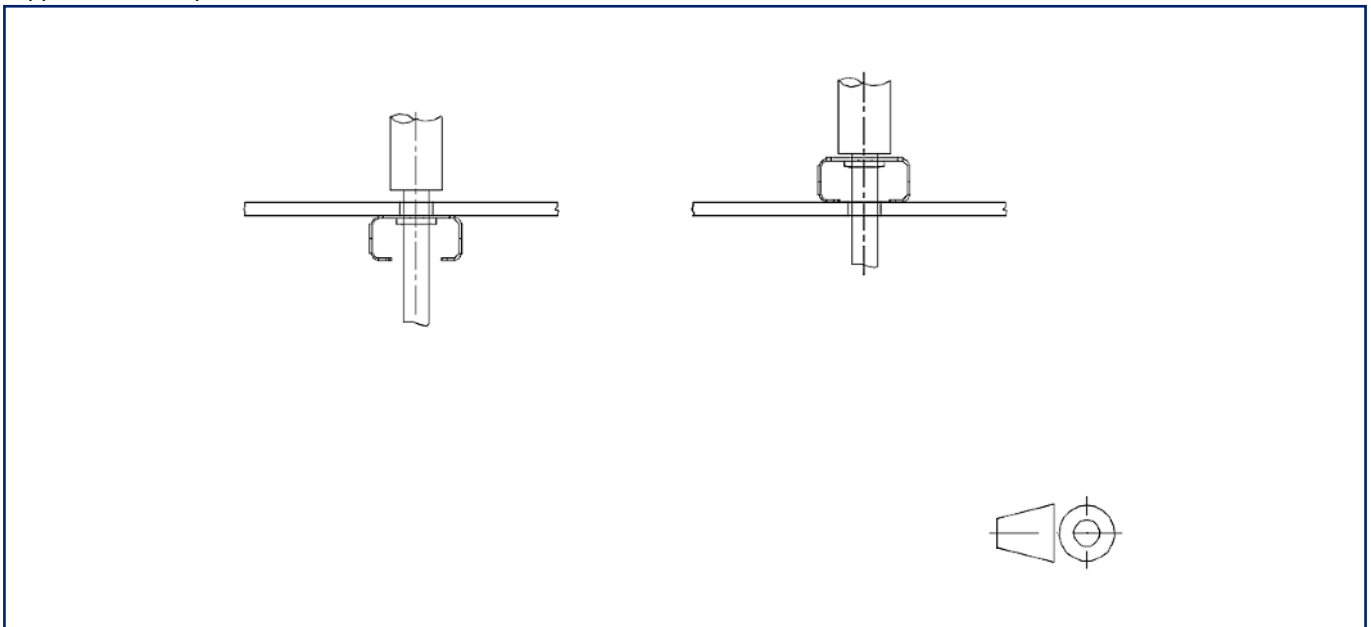
© 2023 METZ CONNECT - Technische Änderungen vorbehalten! Subject to modifications! Sous réserve de modifications techniques!

**Illustrations**

Dimensional drawing

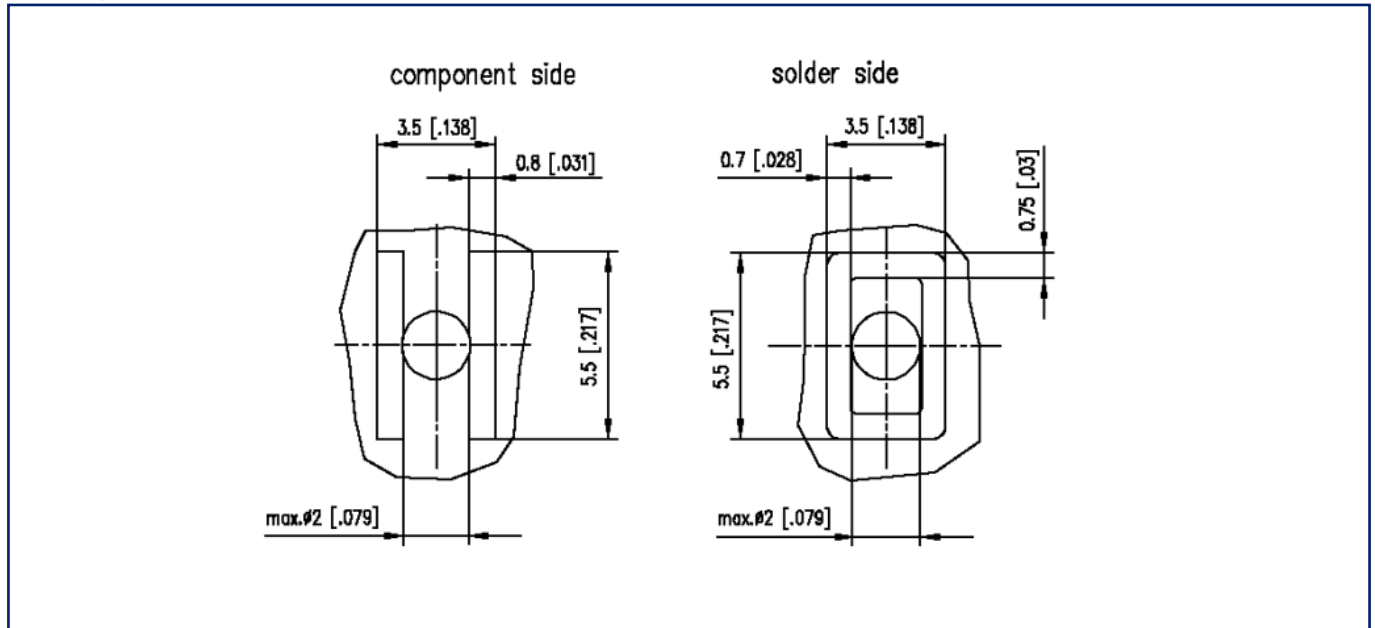


Application example



**Illustrations**

PCB-Layout



# U | Contact

Data sheet

Page 6/6

**SM01W01VXNN05G1 13-inch Reel solder pad/component side**P/N  
**ASM01W0164-5G16**

2023/06/28

Version: T

## Illustrations