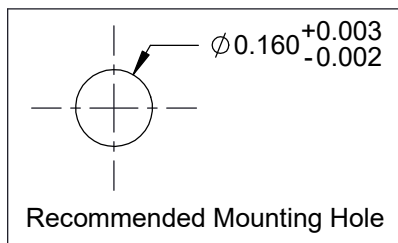
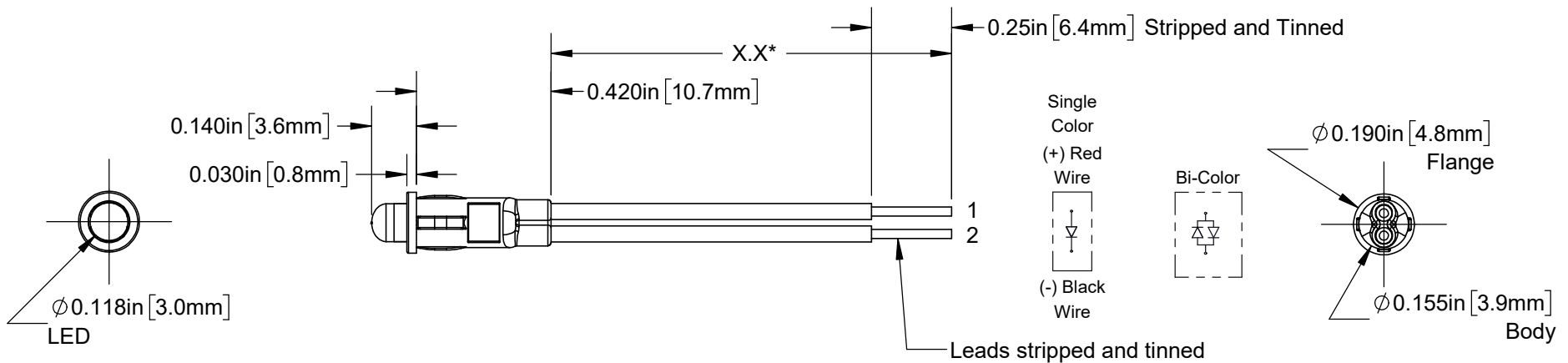


REV.	DESCRIPTION	DATE	APPROVED
A	Engineering Release	02/05/08	M. C.
B	Updated Bi-Color Polarity	09/09/08	M. C.
C	LED Spec Update	03/22/10	T. Y.
D	Bi-Color LED Spec Update	06/24/11	T. Y.
E	Updated LED Offering	05/01/12	T. Y.
F	Updated BOM Item 1	11/12/12	T. Y.
G	Corrected LED P/N Typo	10/14/13	G. W.
H	Updated LED Optical Characteristics	09/15/15	J. C.
J	Updated per EOL Notice	06/17/20	A. V.
K	ECO-1087 Removed PM3BC-A/GW.XX	03/19/21	A. V.
L	ECO-1156 Updated LED Spec and per EOL 020119C	01/09/23	A. V.



EXAMPLE:
PM3RDW6.5*
 LED Color, Lens Appearance
 Wire Length in inches
 Series

BI-COLOR POLARITY		
LED P/N	(1) Cathode	(2) Cathode
3BC	Green	Red
3BC-Y/G	Green	Yellow

CUSTOMER USE DRAWING

ABSOLUTE MAXIMUM RATINGS (Ta = 25°C)

REVERSE VOLTAGE _____ 5V
 REVERSE CURRENT (VR=5V) _____ 100µA
 OPERATING TEMPERATURE RANGE _____ -25°C ~ 85°C
 STORAGE TEMPERATURE _____ -30°C ~ 100°C
 LEAD SOLDERING TEMPERATURE (1/16" FROM BODY) _____ 260°C for 5 Seconds

STANDARD TOLERANCE (UNLESS OTHERWISE SPECIFIED)		BIVAR [®] 4 THOMAS, IRVINE, CA. 92618 TEL: (949) 951-8808 FAX: (949) 951-3974	
DECIMALS			
.X	± .1	X°	± 1°
.XX	± .02	⊕ ⊖	
.XXX	± .010		
DESIGNED: R. PAJE		DATE: 02/05/08	
REVISION: E. CHAN		DATE: 01/09/23	
CHECKED: A. VALDEZ		DATE: 01/09/23	
TITLE: STD PANEL MOUNT INDICATORS W/ WIRES		DRAWING NO: PM3XXXWX.X	
REVISION: L		CAGE CODE: 32559	
SHEET SIZE: A		SCALE: 2.5:1	
SHEET # 1 OF 3		CAD GENERATED DOCUMENT, DO NOT MEASURE DRAWING	

REV.	DESCRIPTION	DATE	APPROVED
	SEE SHEET #1		

LED Assy. No.	Chip			Lens Appearance	Electro-Optical Data @ 20mA				Viewing Angle 2 θ ½ (Deg)	LED P/N
	Material	Peak Wave Length λp(nm)	Emitted Color		If (mA)	Vf (V)		Iv (mcd)		
						MAX	TYP			
PM3BWDWX.X	GaN/SiC	430	BLUE	DIFFUSED	25	4	4.5	10	40	3BWD-S
PM3GCWX.X	GaP/GaP	568	GREEN	WATER CLEAR	30	2.1	2.8	40	30	3GC-S
PM3GDWX.X	GaP/GaP	568	GREEN	DIFFUSED	30	2.1	2.8	25	40	3GD-S
PM3YDWX.X	GaAsP/GaP	590	YELLOW	DIFFUSED	30	2	2.8	20	40	3YD-S
PM3ACWX.X	GaAsP/GaP	605	AMBER	WATER CLEAR	30	2	2.8	40	30	3AC-S
PM3ADWX.X	GaAsP/GaP	605	AMBER	DIFFUSED	30	2	2.8	25	40	3AD-S
PM3HDWX.X	GaAsP/GaP	625	HE RED	DIFFUSED	30	2	2.8	30	40	3HD-S
PM3RDWX.X	GaP/GaP	700	RED	DIFFUSED	10	2.5	/	2.5	45	3RD-S
PM3BCWX.X	GaAsP/GaP	625	RED	DIFFUSED	30	2.0	2.8	6	45	3BC
	GaP/GaP	568	GREEN		30	2.1	2.8	6		
PM3BC-Y/GWX.X	GaAsP/GaP	590	YELLOW	DIFFUSED	30	2.0	2.8	4	45	3BC-Y/G
	GaP/GaP	568	GREEN		30	2.1	2.8	6		

CUSTOMER USE DRAWING

		BIVAR [®]	
CAGE CODE:	32559	DRAWING NO: PM3XXXWX.X	REVISION: L
SHEET SIZE:	A	SCALE: 2.5:1	SHEET # 2 OF 3
<small>CAD GENERATED DOCUMENT, DO NOT MEASURE DRAWING</small>			

REV.	DESCRIPTION	DATE	APPROVED
	SEE SHEET #1		

LED Assy. No.	Chip			Lens Appearance	Electro-Optical Data @ 20mA				Viewing Angle 2 θ ½ (Deg)	LED P/N
	Material	Peak Wave Length λp(nm)	Emitted Color		If (mA)	Vf (V)		Iv (mcd)		
						MAX	TYP			
PM3UBWCWX.X	GaN/SiC	470	BLUE	WATER CLEAR	30	4	4.5	400	30	3UBWC-0.6K
PM3SGCWX.X	GaP/GaP	568	GREEN	WATER CLEAR	30	2.1	2.8	50	30	3SGC-S
PM3SGDWX.X	GaP/GaP	568	GREEN	DIFFUSED	30	2.1	2.8	30	40	3SGD-S
PM3SADWX.X	AlGaInP	605	AMBER	DIFFUSED	30	1.8	2.4	100	40	3SAD-S
PM3SRCWX.X	GaAlAs/GaAs	655	SUPER RED	WATER CLEAR	20	1.7	2.4	350	35	3SRC-S
PM3SRDWX.X	GaAlAs/GaAs	655	SUPER RED	DIFFUSED	20	1.7	2.4	85	85	3SRD-S
PM3UGCWX.X	AlGaInP	570	GREEN	WATER CLEAR	30	2.1	2.4	200	30	3UGC-S
PM3UGCWX.X	AlGaInP	570	GREEN	WATER CLEAR	30	2.1	2.4	300	30	3SUGC-S
PM3UOCWX.X	AlGaInP	625	ORANGE	WATER CLEAR	30	1.8	2.4	300	30	3UOC-S
PM3SURCWX.X	AlGaInP	640	RED	WATER CLEAR	30	1.8	2.4	200	30	3SURC-S
PM3UWCWX.X	InGaN/Sapphire	6500K	WHITE	WATER CLEAR	30	3.2	3.6	5000	30	3UWC1.030C

LED Assy. No.	Chip			Lens Appearance	Absolute Max. Ratings			Electro-Optical Data @			Viewing Angle 2 θ ½ (Deg)	LED P/N
	Material	Peak Wave Length λp(nm)	Emitted Color		Pd (mW)	If (mA)	Peak If(mA)	Vf (V)		Iv (mcd)		
								TYP	MAX			
PM3GDLWX.X	GaP/GaP	568	GREEN	DIFFUSED	10	7	-	2.1	2.6	2.0	40	3GDL-S
PM3YDLWX.X	GaAsP/GaP	590	YELLOW	DIFFUSED	10	7	-	2.0	2.6	2.0	40	3YDL-S
PM3HDLWX.X	GaAsP/GaP	625	HE RED	DIFFUSED	10	7	-	2.0	2.6	2.5	40	3HDL-S
PM3RDLWX.X	GaP/GaP	700	RED	DIFFUSED	10	7	-	2.1	2.6	0.5	40	3RDL-S

CUSTOMER USE DRAWING

		BIVAR [®]	
CAGE CODE:	32559	DRAWING NO: PM3XXXWX.X	REVISION: L
SHEET SIZE:	A	SCALE: 2.5:1	SHEET # 3 OF 3
<small>CAD GENERATED DOCUMENT, DO NOT MEASURE DRAWING</small>			