

PART NUMBER CODING

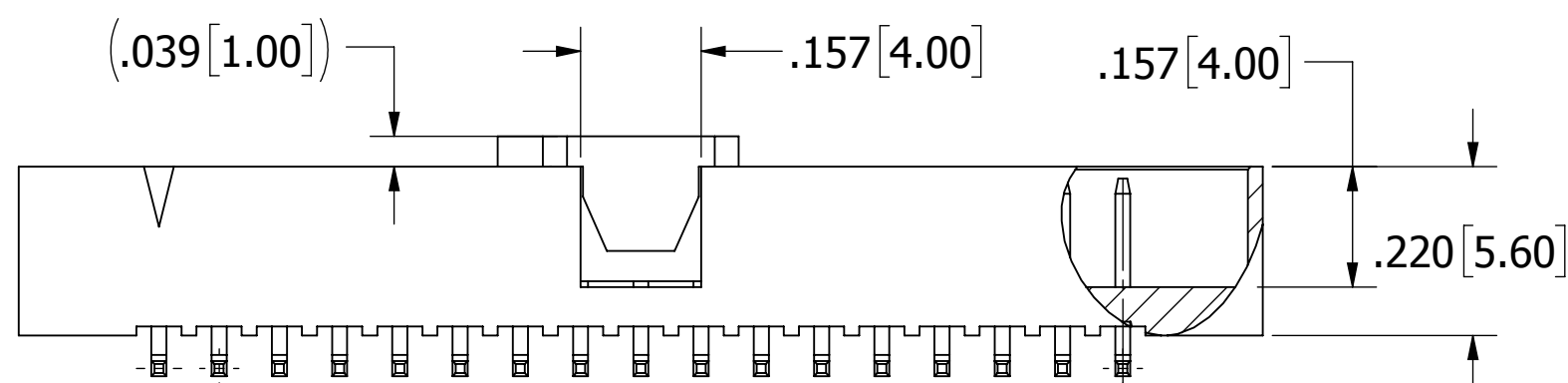
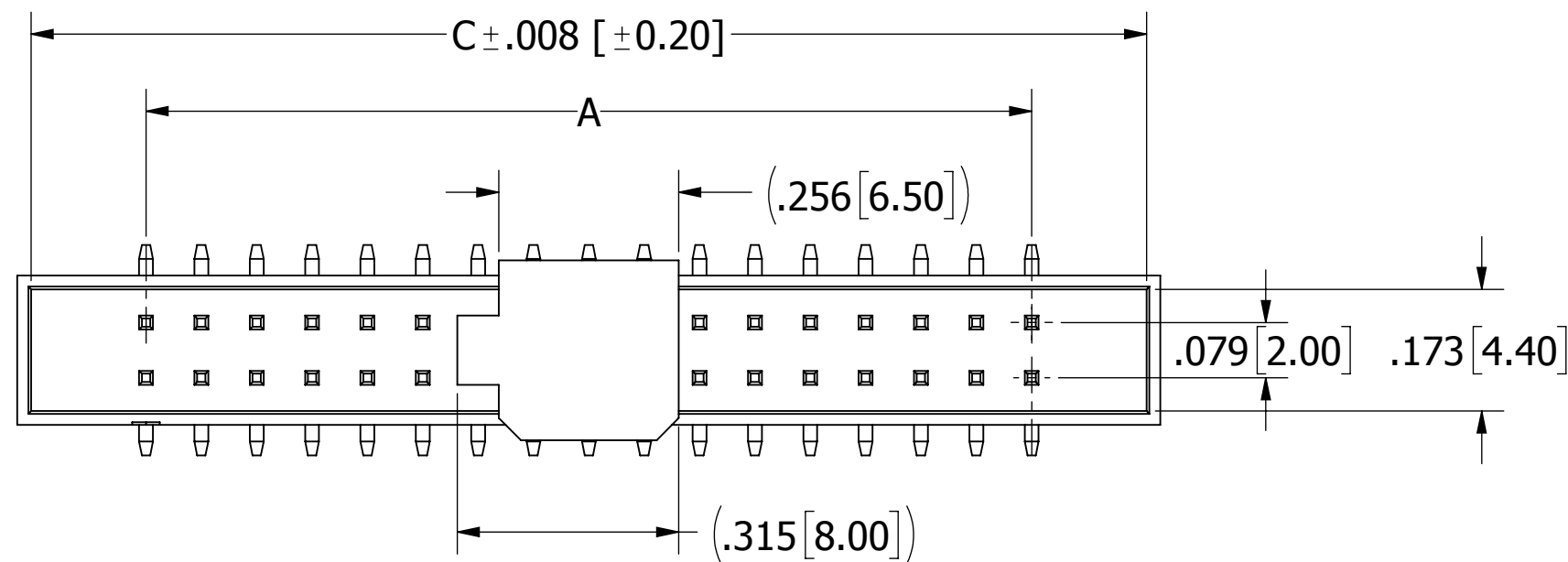
SBH21-NBPN-D__-SM-BK-M81

NUMBER OF POSITIONS

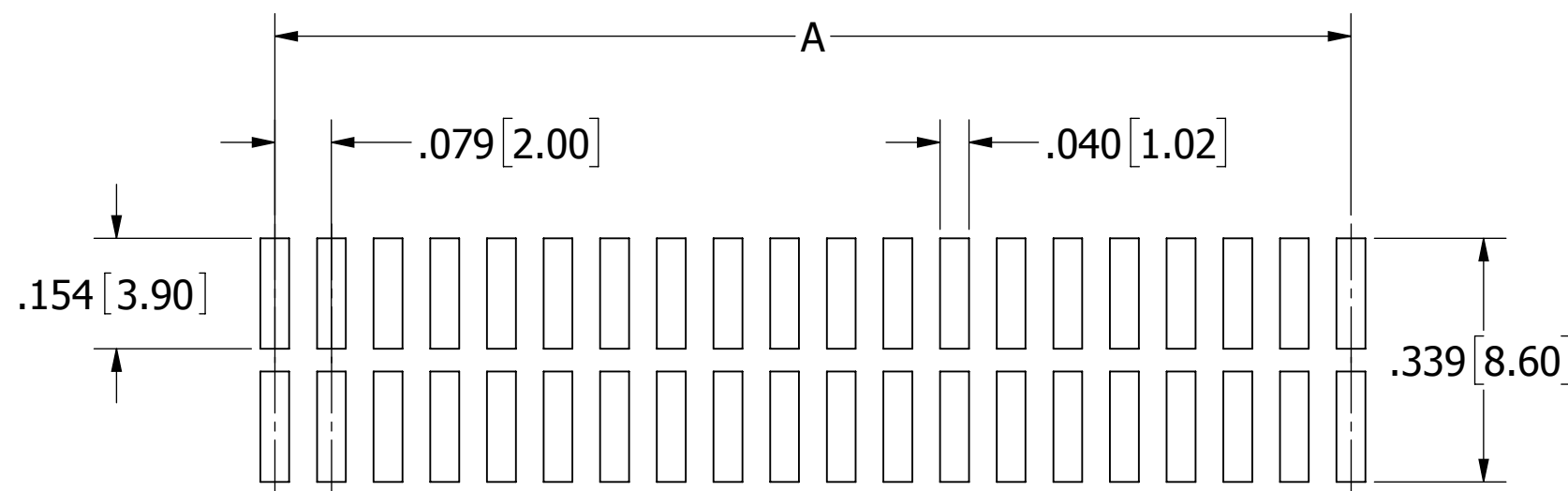
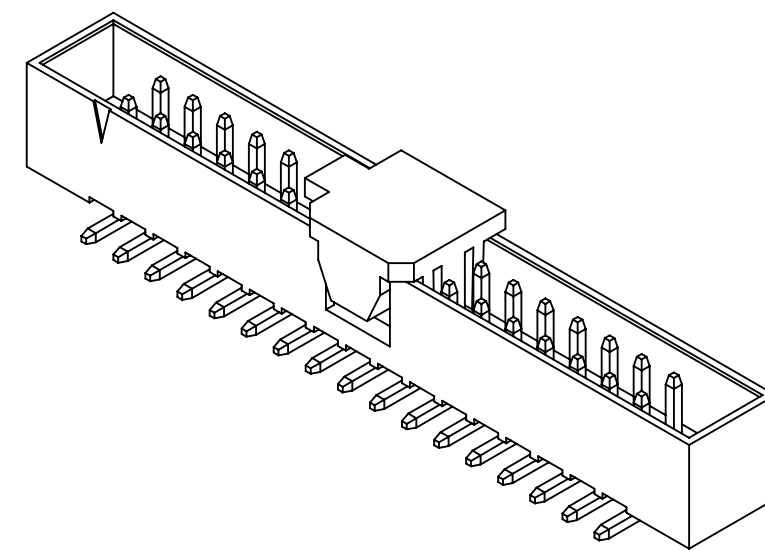
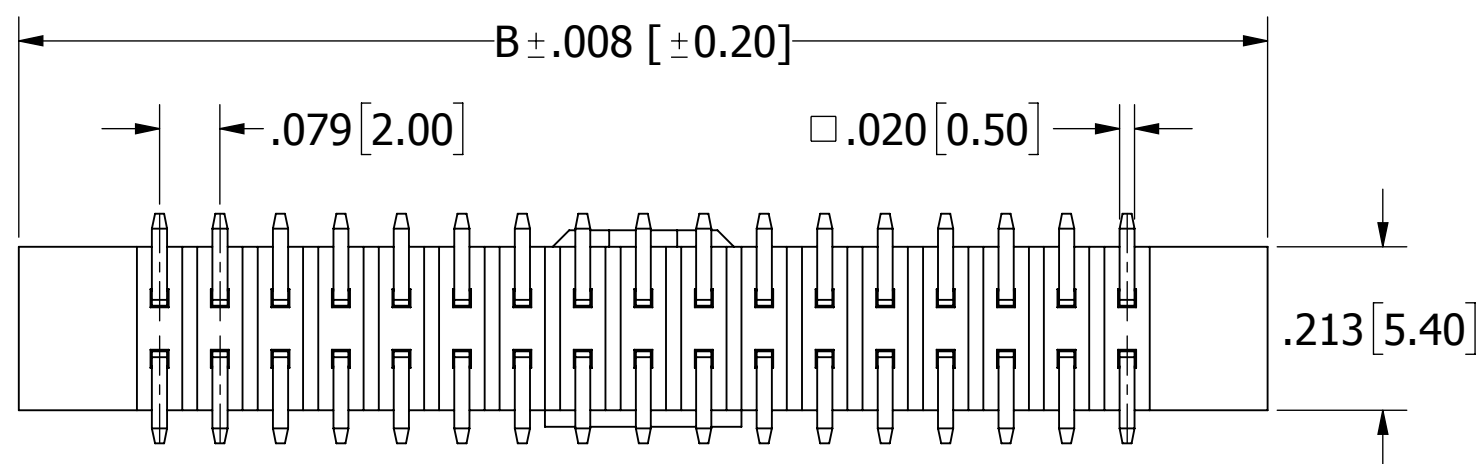
(CONTACTS PER ROW)

TERMINATION

SURFACE MOUNT



03 - 20, .008 [0.20] MAX.
22 - 30, .012 [0.30] MAX.
34, .016 [0.40] MAX.



RECOMMENDED PCB LAYOUT

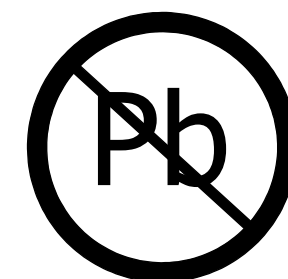
.004 [0.10] 03-25 POSITIONS
 .006 [0.15] 30-34 POSITIONS

REVISIONS				
REV.	ECO. NO	DESCRIPTION	DATE	BY
A	2746	INITIAL RELEASE	03/13/2013	LH
B	2835	UPGRADE INSULATOR MATERIAL NYLON 9T(WAS NYLON 6T), UPDATE SMT TAIL COPLANAR TOLERANCE, AND ADD WARP TOLERANCE AND UPDATE NOTE 5(WAS INSULATOR RESISTANCE: 1000 MEGOHMS MIN.)	04/07/2014	LH
C	3708	UPDATE T&R 'W' DIMENSION ON PAGE 2	07/12/2017	LH

PART NUMBER	POSITIONS/ CONTACTS	A		B		C	
		INCH	MM	INCH	MM	INCH	MM
SBH21-NBPN-D03-SM-BK-M81	03/06	0.157	4.00	0.524	13.30	0.484	12.30
SBH21-NBPN-D04-SM-BK-M81	04/08	0.236	6.00	0.602	15.30	0.563	14.30
SBH21-NBPN-D05-SM-BK-M81	05/10	0.315	8.00	0.681	17.30	0.642	16.30
SBH21-NBPN-D06-SM-BK-M81	06/12	0.394	10.00	0.760	19.30	0.720	18.30
SBH21-NBPN-D07-SM-BK-M81	07/14	0.472	12.00	0.839	21.30	0.799	20.30
SBH21-NBPN-D08-SM-BK-M81	08/16	0.551	14.00	0.917	23.30	0.878	22.30
SBH21-NBPN-D09-SM-BK-M81	09/18	0.630	16.00	0.996	25.30	0.957	24.30
SBH21-NBPN-D10-SM-BK-M81	10/20	0.709	18.00	1.075	27.30	1.035	26.30
SBH21-NBPN-D11-SM-BK-M81	11/22	0.787	20.00	1.154	29.30	1.114	28.30
SBH21-NBPN-D12-SM-BK-M81	12/24	0.866	22.00	1.232	31.30	1.193	30.30
SBH21-NBPN-D13-SM-BK-M81	13/26	0.945	24.00	1.311	33.30	1.272	32.30
SBH21-NBPN-D15-SM-BK-M81	15/30	1.102	28.00	1.469	37.30	1.429	36.30
SBH21-NBPN-D17-SM-BK-M81	17/34	1.260	32.00	1.626	41.30	1.587	40.30
SBH21-NBPN-D20-SM-BK-M81	20/40	1.496	38.00	1.862	47.30	1.823	46.30
SBH21-NBPN-D22-SM-BK-M81	22/44	1.654	42.00	2.020	51.30	1.980	50.30
SBH21-NBPN-D25-SM-BK-M81	25/50	1.890	48.00	2.256	57.30	2.217	56.30
SBH21-NBPN-D30-SM-BK-M81	30/60	2.283	58.00	2.650	67.30	2.610	66.30
SBH21-NBPN-D34-SM-BK-M81	34/68	2.598	66.00	2.965	75.30	2.925	74.30

NOTES:

- INSULATOR MATERIAL: NYLON 9T, UL 94V-0, COLOR: BLACK
- CONTACT MATERIAL: BRASS
- CONTACT PLATING: .000030" - .000050" NICKEL UNDERPLATED, GOLD FLASH OVERALL.
- CURRENT RATING: 2 AMPS
- INSULATOR RESISTANCE: 5,000 MEGOHMS MIN.
- CONTACT RESISTANCE: 20 MILLIOHMS MAX.
- DIELECTRIC WITHSTANDING: 500V AC
- OPERATING TEMPERATURE: -40°C TO + 105°C
- PROCESSING TEMP.: 230°C MAX FOR 60 SECONDS
(260°C MAX FOR 10 SECONDS)
- MATES WITH SFH21 & SFH213 IDC SOCKET SERIES
- MODIFICATION: WITH PICK & PLACE CAP IN TAPE & REEL



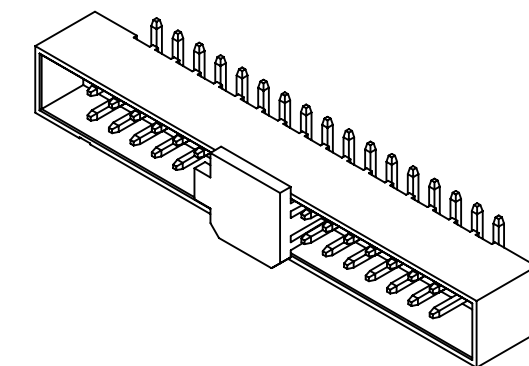
RoHS COMPLIANT

UNLESS OTHERWISE SPECIFIED: DIMENSIONS ARE IN INCHES [MM]		DRAWN 03/13/2013	DATE LH		
TOLERANCES:		<small>THE INFORMATION HEREIN CONTAINS PROPRIETARY INFORMATION OF SULLINS ELECTRONICS AND IS NOT TO BE REPRODUCED, USED OR DISCLOSED TO OTHERS FOR ANY PURPOSE EXCEPT AS SPECIFICALLY AUTHORIZED IN WRITING BY AN OFFICER OF SULLINS ELECTRONICS.</small>		TITLE BOX HEADER .079" [2.00mm] PITCH, SMT, W/T&R PART NUMBER SBH21-NBPN-D__-SM-BK-M81	
ANGULAR: DECIMALS X.XX = ± .01 [.3] X.XXX = ± .008 [.20] X.XXXX = ± .0040 [.100]		SCALE: 4:1 	SIZE C	CAGE CODE 54453	DWG. NO. 12161
			REV C	SHEET 1 OF 2	

- NOTE:
1. CUMULATIVE PITCH TOLERANCE FOR 10 SPROCKET HOLES IS $\pm 0.20\text{mm}$.
 2. CARRIER CAMBER IS 1mm IN 100mm.
 3. A0 AND B0 MEASURED ON A PLANE 0.3mm ABOVE THE BOTTOM OF THE POCKET.
 4. K0 MEASURED FROM A PLANE ON THE INSIDE BOTTOM OF THE POCKET TO THE TOP SURFACE OF THE CARRIER.
 5. PACKING CONFORMS EIA-481-2 STANDARDS.
 6. ONE $\phi 13"$ REEL= 8.0 METER (OVERALL LENGTH OF TAPE), 500 PIECES.

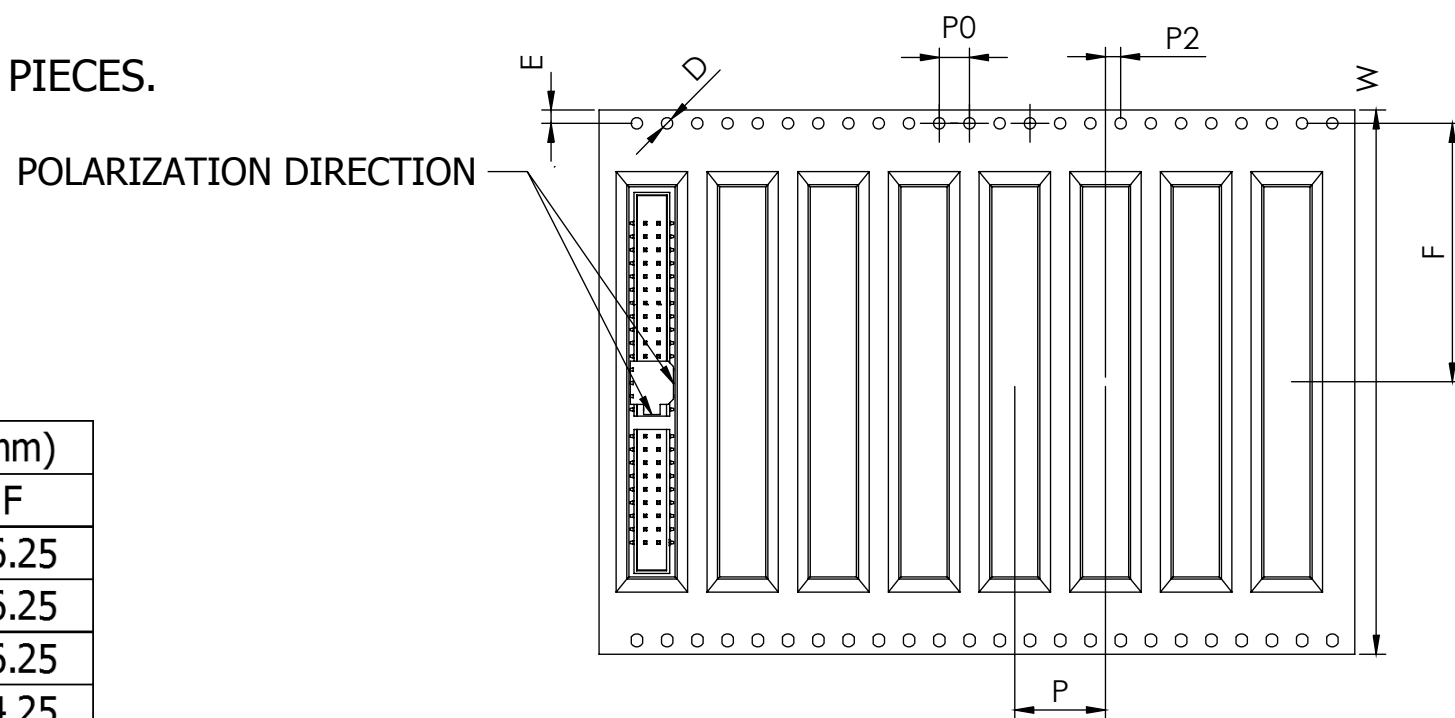
DEVICE TYPE: **SBH21-NBPN-D__-SM-BK-M81** MATERIAL: **P.S 0.4 BLACK**

DIMENSIONS (unit: mm)	A0 ± 0.1	K0 ± 0.1	P ± 0.1	E ± 0.1	D $+0.1/-0.0$	P0 ± 0.1	P2 ± 0.1
	6.1	8.3	12	1.75	1.5	4.0	2.0

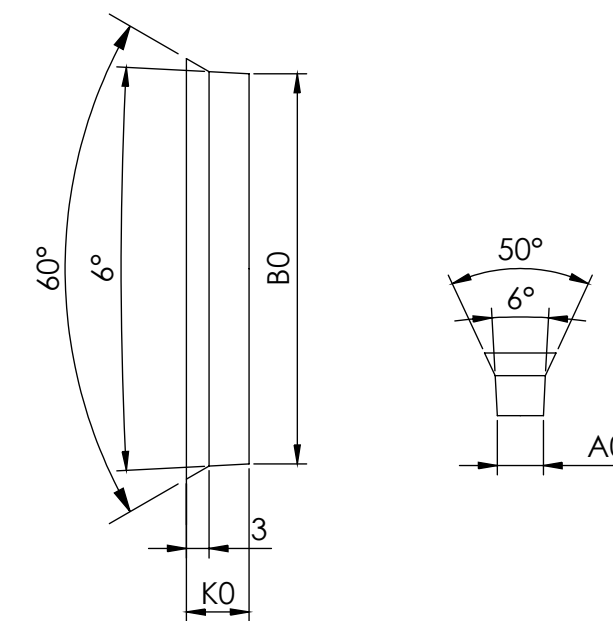


FEEDING DIRECTION \rightarrow

TAPE TYPE 1: FOR POSITION NUMBERS 05 THRU 34(TAPE WIDTH ≥ 32 mm)



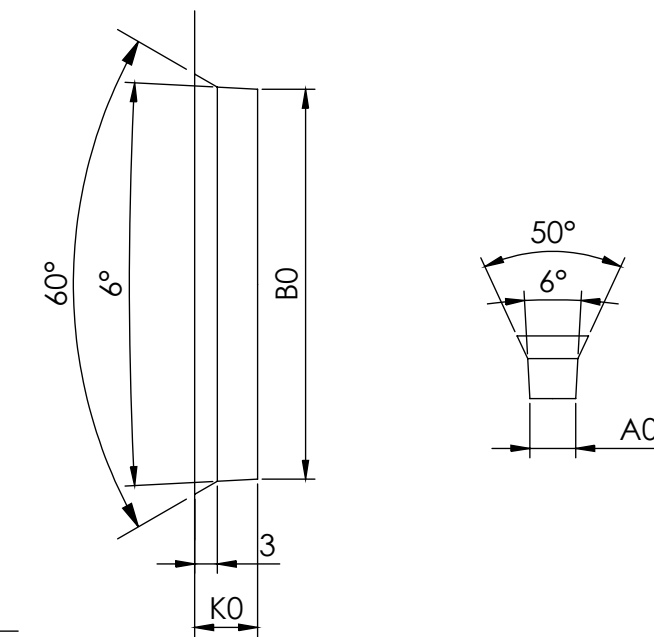
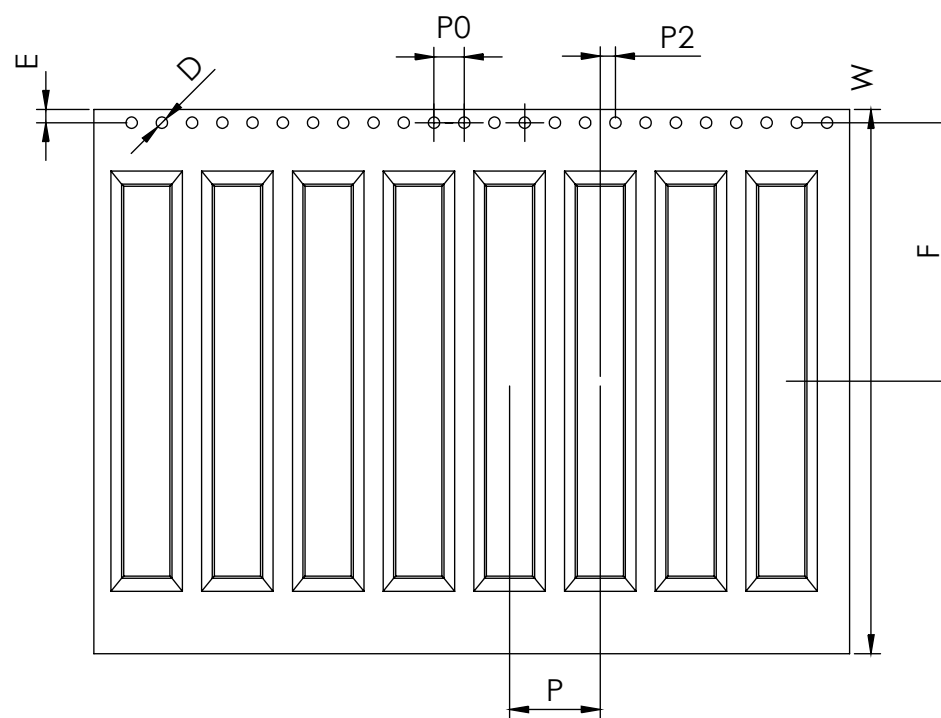
SBH21-NBPN-D__-SM-BK-M81



DIMENSION UNIT: mm

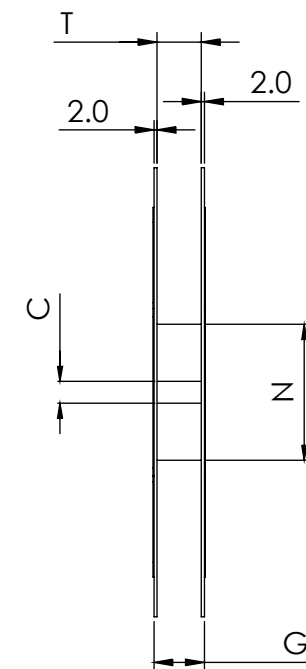
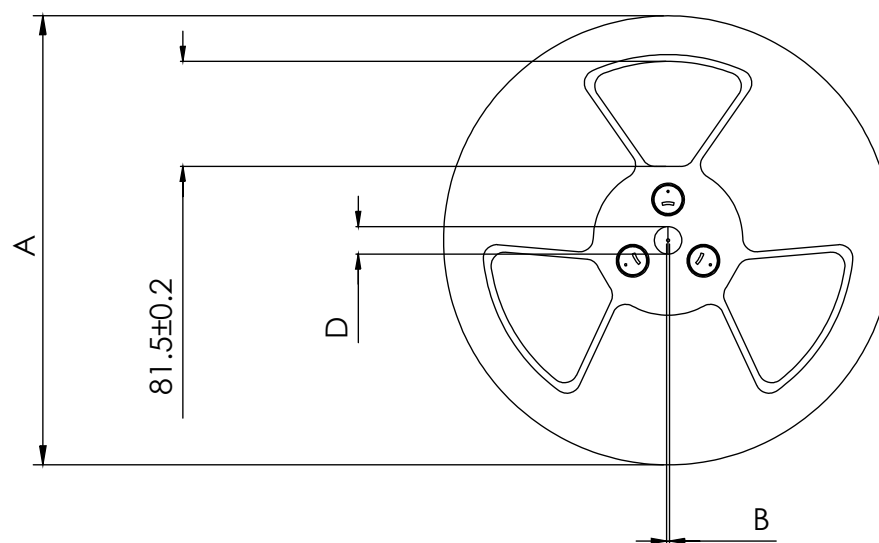
POSITIONS/ CONTACTS	DIMENSIONS (unit: mm)			POSITIONS/ CONTACTS	DIMENSIONS (unit: mm)		
	W	B0	F		W	B0	F
03/06	24	13.6	10.25	13/26	56	33.6	26.25
04/08	24	15.6	10.25	15/30	56	37.6	26.25
05/10	32	17.6	14.25	17/34	56	41.6	26.25
06/12	32	19.6	14.25	20/40	72	47.6	34.25
07/14	44	21.6	20.25	22/44	72	51.6	34.25
08/16	44	23.6	20.25	25/50	72	57.6	34.25
09/18	44	25.6	20.25	30/60	88	67.6	42.25
10/20	44	27.6	20.25	34/68	88	75.6	42.25
11/22	44	29.6	20.25				
12/24	44	31.6	20.25				

TAPE TYPE 2: FOR POSITION NUMBERS 03 THRU 04(TAPE WIDTH < 32 mm)

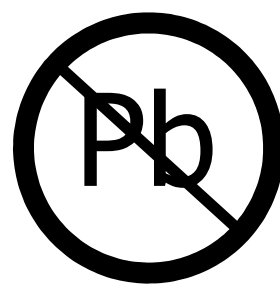
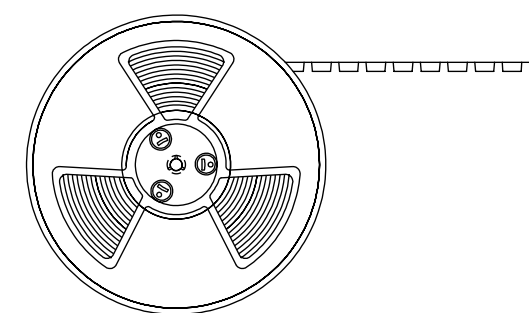


DIMENSION UNIT: mm

DIMENSIONS (unit: mm)							CARRIER TAPE
A	B ± 0.5	C ± 0.2	D ± 1.0	N ± 1.0	T ± 0.1	G ± 0.1	W
330	2.2	13	20.2	100	8.5	13.1	8
330	2.2	13	20.2	100	12.5	17.1	12
330	2.2	13	20.2	100	17.0	21.1	16
330	2.2	13	20.2	100	24.5	29.1	24
330	2.2	13	20.2	100	32.5	37.0	32
330	2.2	13	20.2	100	44.5	49.1	44
330	2.2	13	20.2	100	56.5	61.1	56
330	2.2	13	20.2	100	72.5	77.1	72
330	2.2	13	20.2	100	88.5	93.1	88



FEEDING DIRECTION \rightarrow



RoHS COMPLIANT

UNLESS OTHERWISE SPECIFIED:
DIMENSIONS ARE IN INCHES [MM]

TOLERANCES:
ANGULAR:
DECIMALS
X.XX = $\pm .01$ [.3]
X.XXX = $\pm .008$ [.20]
X.XXXX = $\pm .0040$ [.100]

DRAWN	DATE	NAME
	03/13/2013	LH

THE INFORMATION HEREIN CONTAINS PROPRIETARY INFORMATION OF SULLINS ELECTRONICS AND IS NOT TO BE REPRODUCED, USED OR DISCLOSED TO OTHERS FOR ANY PURPOSE EXCEPT AS SPECIFICALLY AUTHORIZED IN WRITING BY AN OFFICER OF SULLINS ELECTRONICS.



TITLE
BOX HEADER .079" [2.00mm] PITCH, SMT, W/T&R

PART NUMBER
SBH21-NBPN-D__-SM-BK-M81

SIZE	CAGE CODE	DWG. NO.	REV
C	54453	12161	C

SCALE: 4:1 SHEET 2 OF 2