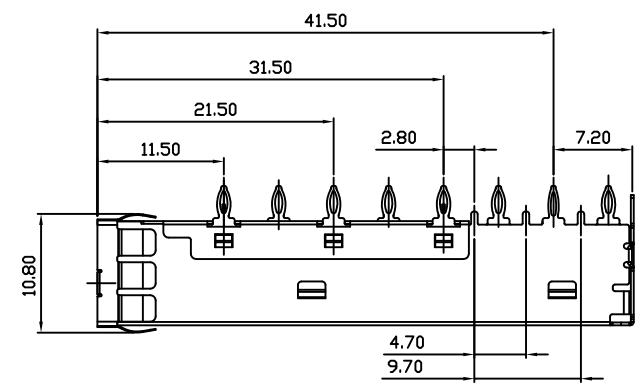


1 2 3 4 5 6 7 8

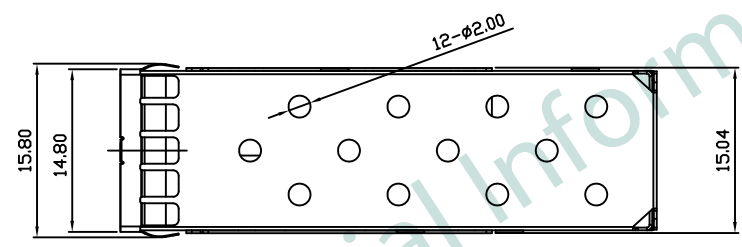
A



B

MATERIALS  
 SHELL: COPPER ALLOY, NICKEL PLATED  
 SPECIFIED TOLERANCE: .XXX±0.10  
 .XX±0.20  
 .X±0.30

C

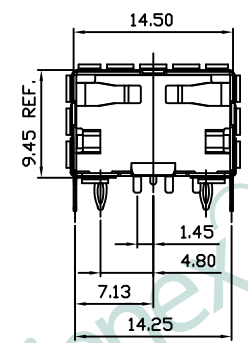


D

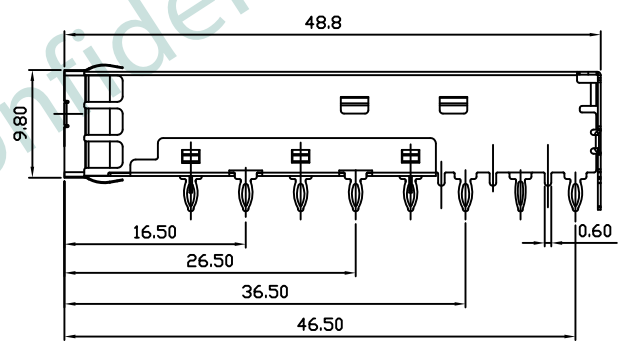
KSFP-A-PPFB-0103

TYPE  
 A : CAGE  
 P : SFP+  
 PF : PRESS FIT  
 B : EMI GASKET TAB  
 SERIAL NUMBER  
 0 : W/O LIGHT PIPE  
 NUMBER OF PORT

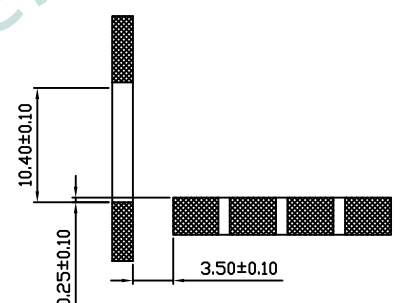
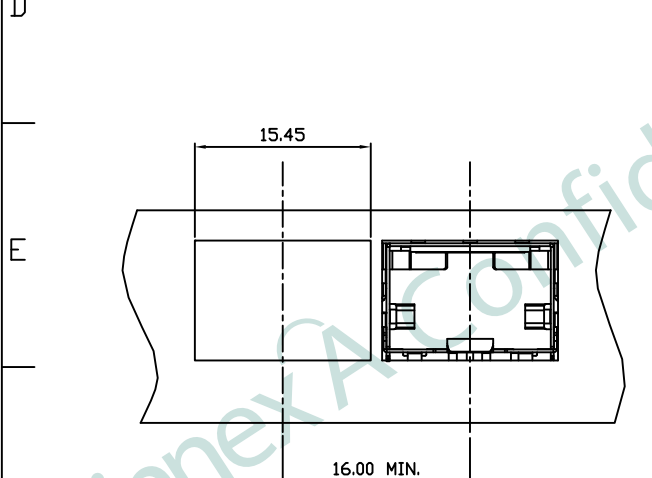
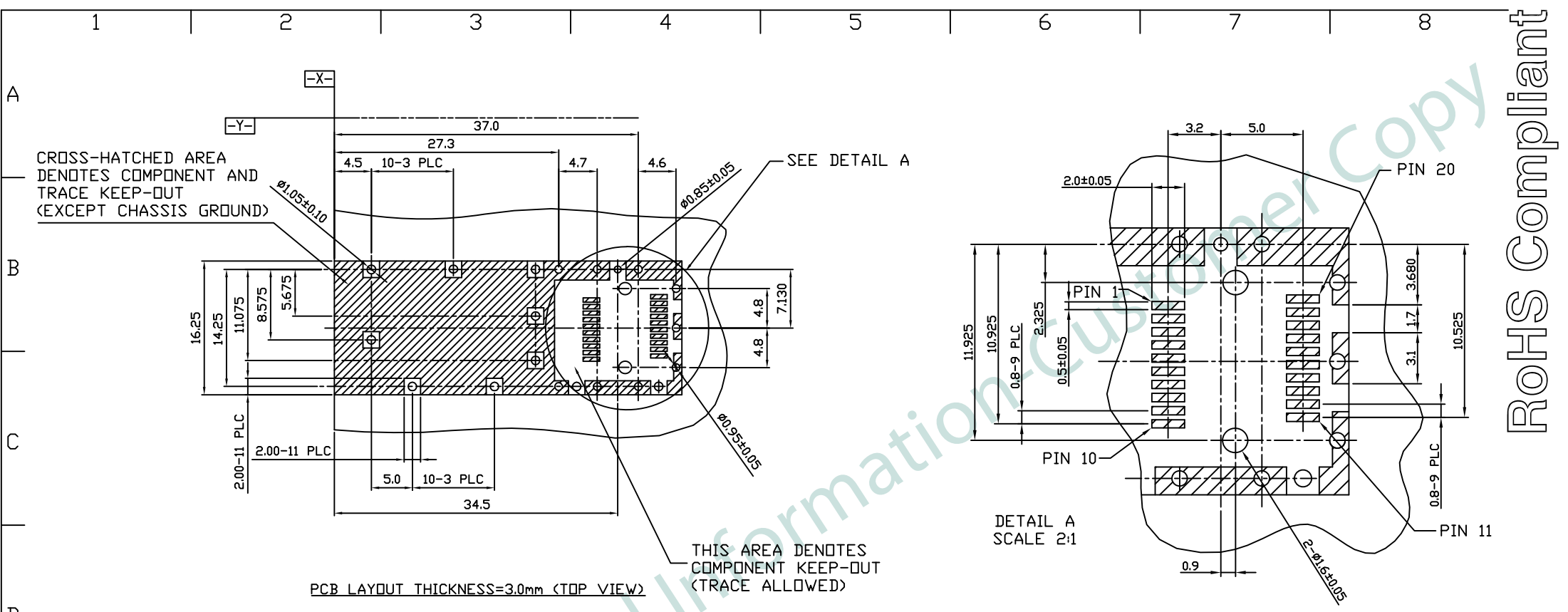
E



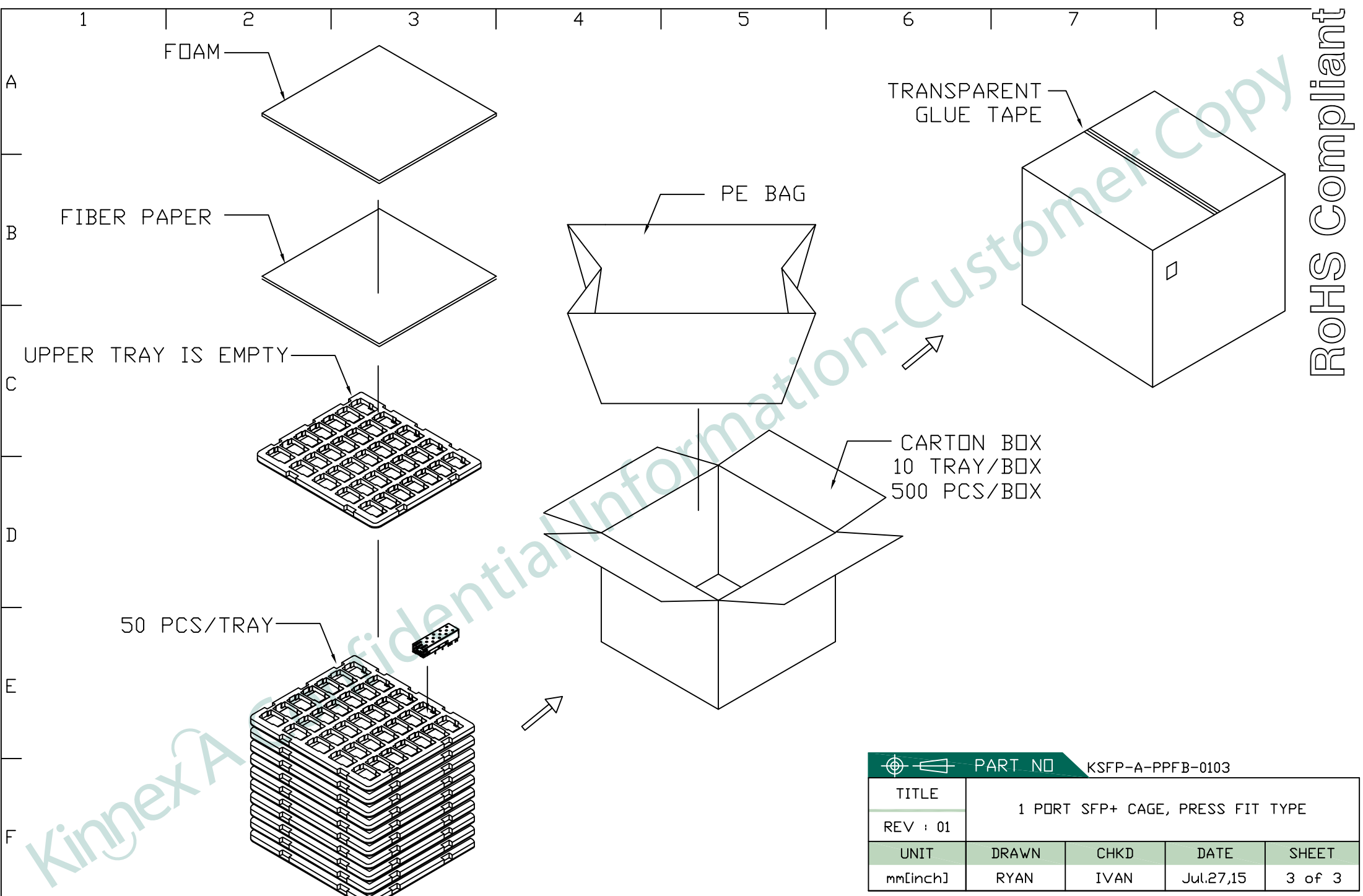
F



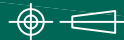
PART NO KSFP-A-PPFB-0103				
TITLE	1 PORT SFP+ CAGE, PRESS FIT TYPE			
REV : 01				
UNIT	DRAWN	CHKD	DATE	SHEET
mm[inch]	RYAN	IVAN	Jul.27,15	1 of 3



PART NO		KSFP-A-PPFB-0103		
TITLE	1 PORT SFP+ CAGE, PRESS FIT TYPE			
REV : 01				
UNIT	DRAWN	CHKD	DATE	SHEET
mm[inch]	RYAN	IVAN	Jul.27,15	2 of 3



RoHS Compliant

 PART NO		KSFP-A-PPFB-0103		
TITLE	1 PORT SFP+ CAGE, PRESS FIT TYPE			
REV : 01				
UNIT	DRAWN	CHKD	DATE	SHEET
mm[inch]	RYAN	IVAN	Jul.27,15	3 of 3