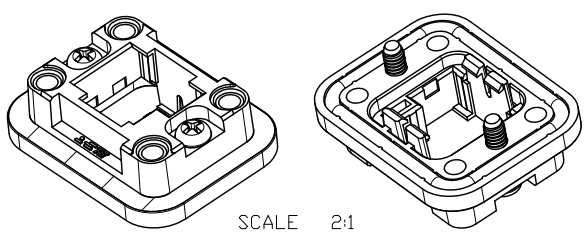
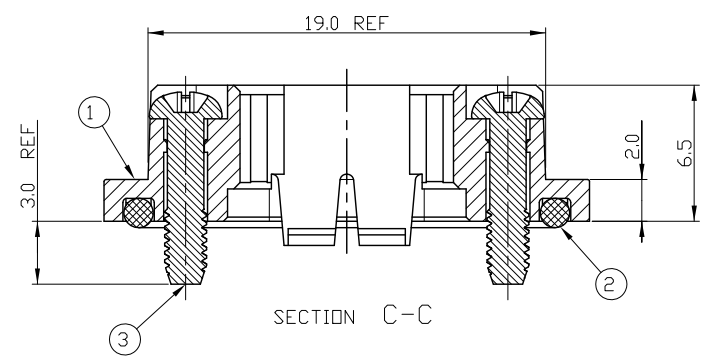
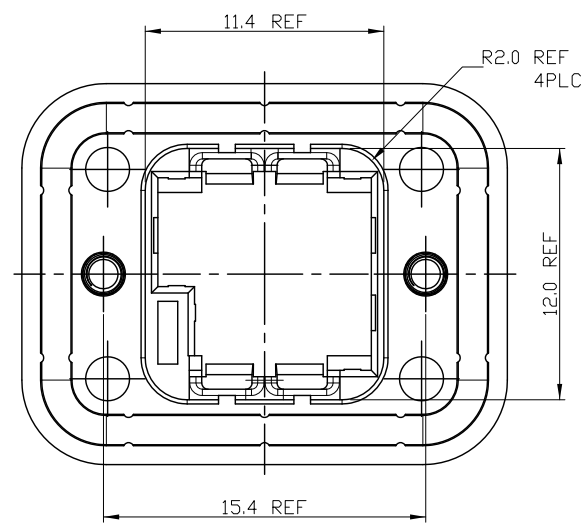
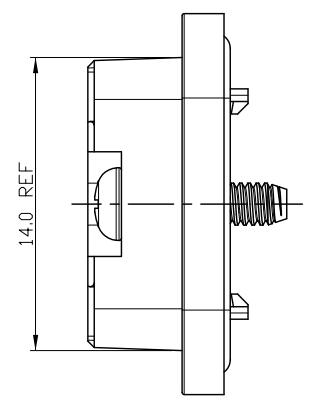
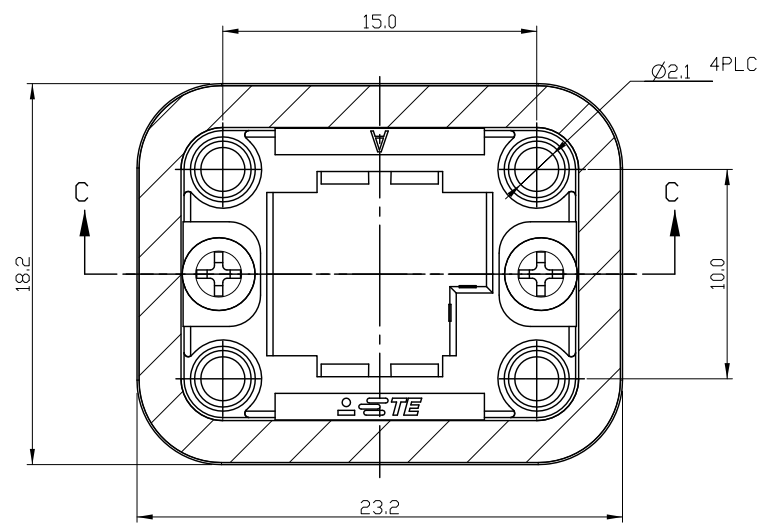


THIS DRAWING IS UNPUBLISHED. RELEASED FOR PUBLICATION 20
 © COPYRIGHT 20 BY - ALL RIGHTS RESERVED.

LOC	DIST	REVISIONS			
P	LTR	DESCRIPTION	DATE	DWN	APVD
DS	-				
	B	REVISED PER ECR-13-000460	21JAN'13	SC	JK



③	SCREW(M2) FOR ENCODER 9P BASE	STEEL	ZINK PL	BLACK	2	2108418-1
②	SEAL FOR ENCODER 9P BASE	SILICON	-	ORANGE	1	
①	ENCODER 9P BASE HSG	PA66 GF20,UL94 V-0	-	BLACK	1	
ITEM	DESCRIPTION	MATERIAL	FINISH	COLOR	Q'TY	P/N

THIS DRAWING IS A CONTROLLED DOCUMENT.		DWN SC KIM				
DIMENSIONS: mm		CHK BW KANG				
TOLERANCES UNLESS OTHERWISE SPECIFIED: ±0.3		APVD JK SONG	NAME ENCODER 9P BASE ASSY			
		PRODUCT SPEC 108-61148	SIZE A3			
MATERIAL SEE TABLE		APPLICATION SPEC -	CAGE CODE 00779		DRAWING NO C- 2108418	
FINISH SEE TABLE		WEIGHT 1.87g	RESTRICTED TO -		SCALE 4:1	
CUSTOMER DRAWING			SHEET 1 OF 1		REV B	