

DSO321SR TYPE SPXO SPECIFICATION

1. Device Name SPXO
2. Type DSO321SR
3. Frequency 32.768 kHz
4. Absolute Maximum Value

	Item	Symbol	Rating	Unit
1	Supply Voltage	V _{cc}	-0.5 ~ +7.0	V
2	Storage Temperature Range	T _{stg}	-40 ~ +85	°C

5. Recommended Operating Conditions

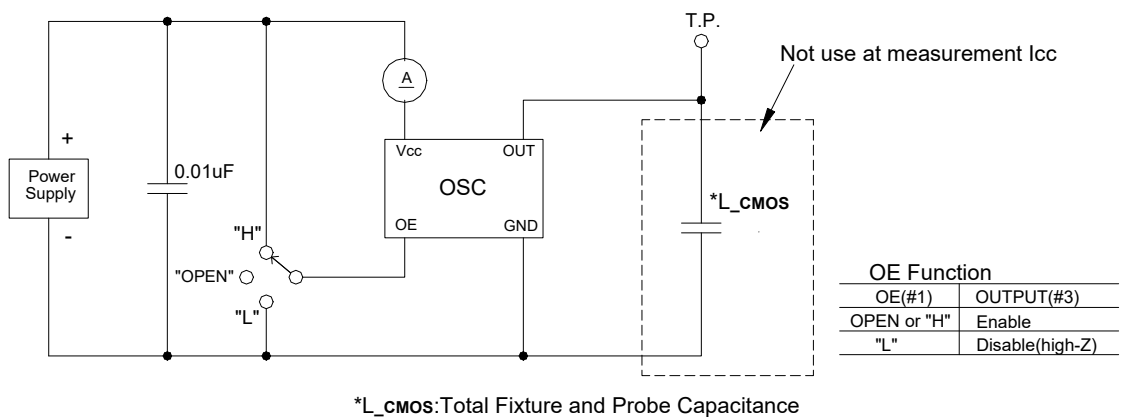
	Item	Symbol	min.	typ.	max.	Unit
1	Supply Voltage	V _{cc}	+3.0	+3.3	+3.6	V
2	Operating Temperature Range	T _{opr}	-40	-	+85	°C
3	Output Load	-	-	-	15	pF

6. Electrical Characteristics

(T_a = +25°C, V_{cc} = +3.3V, unless otherwise noted)

	Item	Symbol	Test Conditions	Limits			Unit
				min.	typ.	max.	
1	Frequency Tolerance	f _{tol}	V _{cc} = +3.3 ± 0.3V T _a = -40 ~ +85 °C	-50	-	+50	ppm
2	Current Consumption	I _{cc}	at No Load, #1pin: "H" or open	-	-	65	μA
3	Standby Current	I _{std}	#1pin: "L"	-	-	3	μA
4	Output Character		15pF				
	1. Symmetry	SYM	0.5V _{cc} level	45	50	55	%
	2. Rise Time	t _r	0.1V _{cc} ~ 0.9V _{cc}	-	-	20	ns
	3. Fall Time	t _f	0.9V _{cc} ~ 0.1V _{cc}	-	-	20	ns
	4. Low Level	V _{OL}		-	-	V _{cc} * 0.1	V
	5. High Level	V _{OH}		V _{cc} * 0.9	-	-	V
5	Input OE						
	1. Output enable time	t _{PZL}		-	-	2	ms
	2. Output disable time	t _{PLZ}		-	-	150	ns
	3. Enable input	V _{IH}		V _{cc} * 0.7	-	-	V
	4. Disable input	V _{IL}		-	-	V _{cc} * 0.3	V

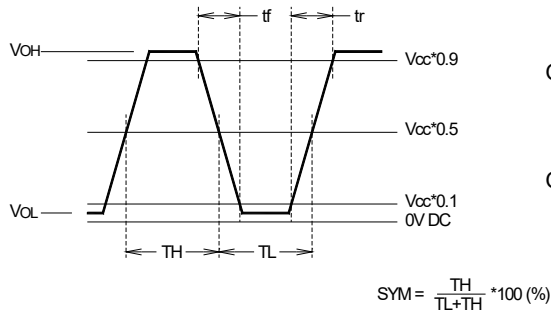
* Fig1. Measurement Circuits



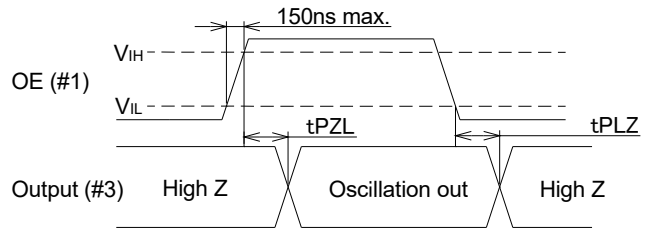
Date	Spec.NO	Rev.	Remark	Page.
2022/05/30	7FD00003A0S	-	S22-010	1/2

DSO321SR TYPE SPXO SPECIFICATION

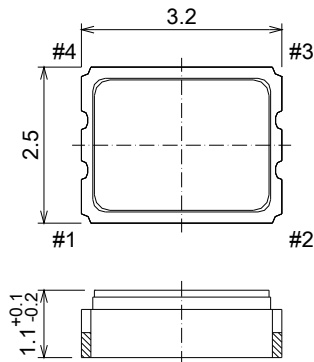
* Fig2. Output Waveform



* Fig3. Input output condition



7. Outline, Pin Connections

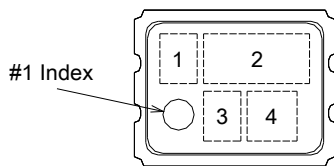
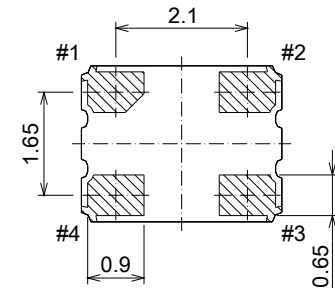
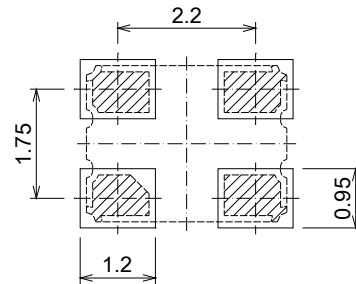


Pin Connections

Pin No.	Connection
#1	OE(Output Enable)
#2	GND
#3	Output
#4	Vcc

Tolerance: ±0.15
unit: mm

(Land Pattern (Reference)) <Top View>



- 1.Type : R
- 2.Nominal Frequency : 0.032
- 3.KDS LOGO(D)
- 4.Lot No. : Year (1digit)+Week (2digits)
e.g. 2022/1/1 → 201

Date	Spec.NO	Rev.	Remark	Page.
2022/05/30	7FD00003A0S	-	S22-010	2/2