

## +5V Powered RS-232 Transmitters/Receivers with 0.1Microfarad External Capacitors

August 1997

### Features

- Meets All RS-232E and V.28 Specifications
- HIN203 and HIN205 Require No External Capacitors
- Requires Only 0.1 $\mu$ F or Greater External Capacitors
- 120kbit/s Data Rate
- Two Receivers Active in Shutdown Mode (HIN213)
- Requires Only Single +5V Power Supply
  - (+5V and +12V - HIN201 and HIN209)
- Onboard Voltage Doubler/Inverter
- Low Power Consumption (Typ) ..... 5mA
- Low Power Shutdown Function (Typ) ..... 1 $\mu$ A
- Three-State TTL/CMOS Receiver Outputs
- Multiple Drivers
  - $\pm$ 10V Output Swing for +5V Input
  - 300 $\Omega$  Power-Off Source Impedance
  - Output Current Limiting
  - TTL/CMOS Compatible
  - 30V/ $\mu$ s Maximum Slew Rate
- Multiple Receivers
  - $\pm$ 30V Input Voltage Range
  - 3k $\Omega$  to 7k $\Omega$  Input Impedance
  - 0.5V Hysteresis to Improve Noise Rejection

### Description

The HIN200-HIN213 family of RS-232 transmitters/receivers interface circuits meet all EIA RS-232E and V.28 specifications, and are particularly suited for those applications where  $\pm$ 12V is not available. They require a single +5V power supply (except HIN201 and HIN209) and feature onboard charge pump voltage converters which generate +10V and -10V supplies from the 5V supply. The HIN203 and HIN205 require no external capacitors and are ideally suited for applications where circuit board space is critical. The family of devices offers a wide variety of RS-232 transmitter/receiver combinations to accommodate various applications (see Selection Table).

The HIN200, HIN206, HIN211 and HIN213 feature a low power shutdown mode to conserve energy in battery powered applications. In addition, the HIN213 provides two active receivers in shutdown mode allowing for easy "wake-up" capability.

The drivers feature true TTL/CMOS input compatibility, slew rate-limited output, and 300 $\Omega$  power-off source impedance. The receivers can handle up to  $\pm$ 30V input, and have a 3k $\Omega$  to 7k $\Omega$  input impedance. The receivers also feature hysteresis to greatly improve noise rejection.

### Applications

- Any System Requiring RS-232 Communications Port
  - Computer - Portable, Mainframe, Laptop
  - Peripheral - Printers and Terminals
  - Instrumentation
  - Modems

### Selection Table

| PART NUMBER | POWER SUPPLY VOLTAGE | NUMBER OF RS-232 DRIVERS | NUMBER OF RS-232 RECEIVERS | NUMBER OF 0.1 $\mu$ F EXTERNAL CAPACITORS | LOW POWER SHUTDOWN/TTL THREE-STATE | NUMBER OF RECEIVERS ACTIVE IN SHUTDOWN |
|-------------|----------------------|--------------------------|----------------------------|---|------------------------------------|--|
| HIN200      | +5V                  | 5                        | 0                          | 4 Capacitors                              | Yes/No                             | 0                                      |
| HIN201      | +5V and +9V to 13.2V | 2                        | 2                          | 2 Capacitors                              | No/No                              | 0                                      |
| HIN202      | +5V                  | 2                        | 2                          | 4 Capacitors                              | No/No                              | 0                                      |
| HIN203      | +5V                  | 2                        | 2                          | None                                      | No/No                              | 0                                      |
| HIN204      | +5V                  | 4                        | 0                          | 4 Capacitors                              | No/No                              | 0                                      |
| HIN205      | +5V                  | 5                        | 5                          | None                                      | Yes/Yes                            | 0                                      |
| HIN206      | +5V                  | 4                        | 3                          | 4 Capacitors                              | Yes/Yes                            | 0                                      |
| HIN207      | +5V                  | 5                        | 3                          | 4 Capacitors                              | No/No                              | 0                                      |
| HIN208      | 5V                   | 4                        | 4                          | 4 Capacitors                              | No/No                              | 0                                      |
| HIN209      | +5V and +9V to 13.2V | 3                        | 5                          | 2 Capacitors                              | No/Yes                             | 0                                      |
| HIN211      | +5V                  | 4                        | 5                          | 4 Capacitors                              | Yes/Yes                            | 0                                      |
| HIN213      | +5V                  | 4                        | 5                          | 4 Capacitors                              | Yes/Yes                            | 2                                      |

## HIN200 thru HIN213

### Ordering Information

| PART NO.  | TEMP. RANGE (°C) | PACKAGE        | PKG. NO. |
|-----------|------------------|----------------|----------|
| HIN200CB  | 0 to 70          | 20 Ld SOIC     | M20.3    |
| HIN200IB  | -40 to 85        | 20 Ld SOIC     | M20.3    |
| HIN201CB  | 0 to 70          | 16 Ld SOIC (W) | M16.3    |
| HIN201IB  | -40 to 85        | 16 Ld SOIC (W) | M16.3    |
| HIN202CP  | 0 to 70          | 16 Ld PDIP     | E16.3    |
| HIN202CB  | 0 to 70          | 16 Ld SOIC (W) | M16.3    |
| HIN202IP  | -40 to 85        | 16 Ld PDIP     | E16.3    |
| HIN202CA  | 0 to 70          | 16 Ld SSOP     | M16.209  |
| HIN202IA  | -40 to 85        | 16 Ld SSOP     | M16.209  |
| HIN202IB  | -40 to 85        | 16 Ld SOIC (W) | M16.3    |
| HIN202CBN | 0 to 70          | 16 Ld SOIC (N) | M16.15   |
| HIN202IBN | -40 to 85        | 16 Ld SOIC (N) | M16.15   |
| HIN203CP  | 0 to 70          | 20 Ld PDIP     | E20.3    |
| HIN203CB  | 0 to 70          | 20 Ld SOIC (W) | M20.3    |
| HIN204CB  | 0 to 70          | 16 Ld SOIC (W) | M16.3    |
| HIN204IB  | -40 to 85        | 16 Ld SOIC (W) | M16.3    |
| HIN205CP  | 0 to 70          | 24 Ld PDIP (W) | E24.3    |
| HIN206CP  | 0 to 70          | 24 Ld PDIP (N) | E24.3    |
| HIN206CB  | 0 to 70          | 24 Ld SOIC     | M24.3    |
| HIN206CA  | 0 to 70          | 24 Ld SSOP     | M24.209  |
| HIN206IP  | -40 to 85        | 24 Ld PDIP (N) | E24.3    |
| HIN206IB  | -40 to 85        | 24 Ld SOIC     | M24.3    |
| HIN206IA  | -40 to 85        | 24 Ld SSOP     | M24.209  |
| HIN207CP  | 0 to 70          | 24 Ld PDIP (N) | E24.3    |

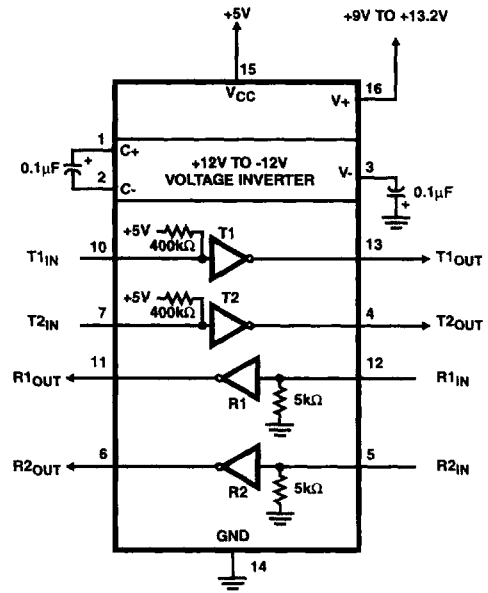
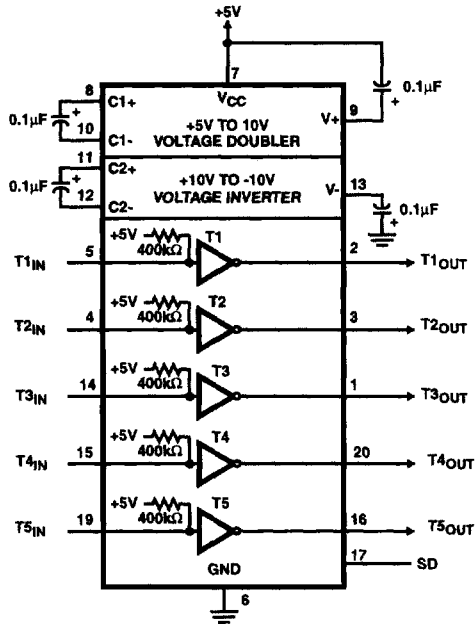
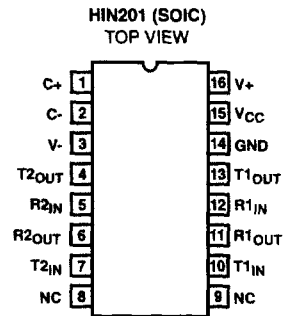
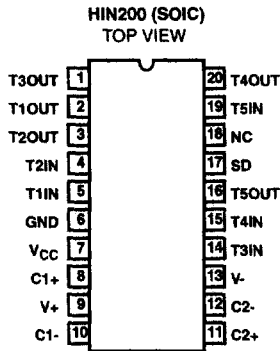
| PART NO. | TEMP. RANGE (°C) | PACKAGE        | PKG. NO. |
|----------|------------------|----------------|----------|
| HIN207CB | 0 to 70          | 24 Ld SOIC     | M24.3    |
| HIN207CA | 0 to 70          | 24 Ld SSOP     | M24.209  |
| HIN207IP | -40 to 85        | 24 Ld PDIP (N) | E24.3    |
| HIN207IB | -40 to 85        | 24 Ld SOIC     | M24.3    |
| HIN207IA | -40 to 85        | 24 Ld SSOP     | M24.209  |
| HIN208CP | 0 to 70          | 24 Ld PDIP (N) | E24.3    |
| HIN208CB | 0 to 70          | 24 Ld SOIC     | M24.3    |
| HIN208CA | 0 to 70          | 24 Ld SSOP     | M24.209  |
| HIN208IP | -40 to 85        | 24 Ld PDIP (N) | E24.3    |
| HIN208IB | -40 to 85        | 24 Ld SOIC     | M24.3    |
| HIN208IA | -40 to 85        | 24 Ld SSOP     | M24.209  |
| HIN209CP | 0 to 70          | 24 Ld PDIP (N) | E24.3    |
| HIN209CB | 0 to 70          | 24 Ld SOIC     | M24.3    |
| HIN209IP | -40 to 85        | 24 Ld PDIP (N) | E24.3    |
| HIN209IB | -40 to 85        | 24 Ld SOIC     | M24.3    |
| HIN211CB | 0 to 70          | 28 Ld SOIC     | M28.3    |
| HIN211CA | 0 to 70          | 28 Ld SSOP     | M28.209  |
| HIN211IB | -40 to 85        | 28 Ld SOIC     | M28.3    |
| HIN211IA | -40 to 85        | 28 Ld SSOP     | M28.209  |
| HIN213CB | 0 to 70          | 28 Ld SOIC     | M28.3    |
| HIN213CA | 0 to 70          | 28 Ld SSOP     | M28.209  |
| HIN213IB | -40 to 85        | 28 Ld SOIC     | M28.3    |
| HIN213IA | -40 to 85        | 28 Ld SSOP     | M28.209  |

### Pin Descriptions

| PIN              | FUNCTION   |
|------------------|--|
| V <sub>CC</sub>  | Power Supply Input 5V ±10%, 5V ±5% (HIN200, HIN207, HIN203, and HIN205).   |
| V+               | Internally generated positive supply (+10V nominal), HIN201 and HIN209 requires +9V to +13.2V.   |
| V-               | Internally generated negative supply (-10V nominal).   |
| GND              | Ground lead. Connect to 0V.  |
| C1+              | External capacitor (+ terminal) is connected to this lead.   |
| C1-              | External capacitor (- terminal) is connected to this lead.   |
| C2+              | External capacitor (+ terminal) is connected to this lead.   |
| C2-              | External capacitor (- terminal) is connected to this lead.   |
| T <sub>IN</sub>  | Transmitter Inputs. These leads accept TTL/CMOS levels. An internal 400kΩ pull-up resistor to V <sub>CC</sub> is connected to each lead.   |
| T <sub>OUT</sub> | Transmitter Outputs. These are RS-232 levels (nominally ±10V).   |
| R <sub>IN</sub>  | Receiver Inputs. These inputs accept RS-232 input levels. An internal 5kΩ pull-down resistor to GND is connected to each input.  |
| R <sub>OUT</sub> | Receiver Outputs. These are TTL/CMOS levels.   |
| EN, EN           | Enable input. This is an active low input which enables the receiver outputs. With EN = 5V, (HIN213 EN = 0V), the outputs are placed in a high impedance state.                                |
| SD, SD           | Shutdown Input. With SD = 5V (HIN213 SD = 0V), the charge pump is disabled, the receiver outputs are in a high impedance state (except R4 and R5 of HIN213) and the transmitters are shut off. |
| NC               | No Connect. No connections are made to these leads.  |

# HIN200 thru HIN213

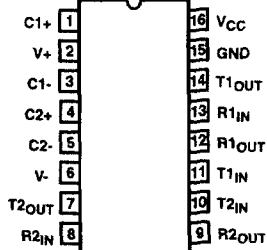
## Pinouts



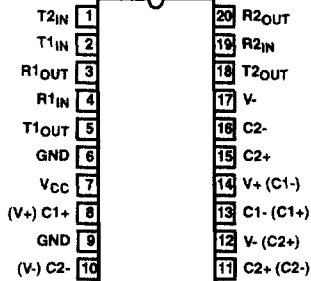
# HIN200 thru HIN213

## Pinouts (Continued)

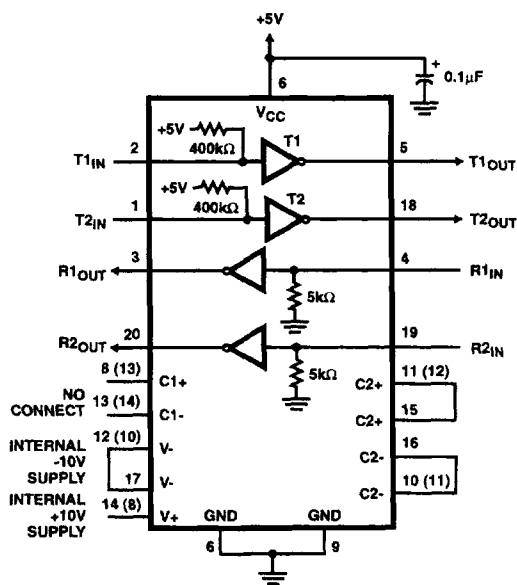
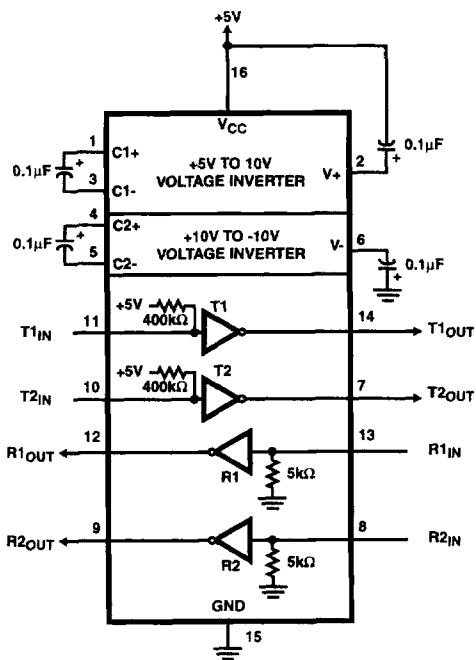
HIN202 (PDIP, SOIC, SSOP)  
TOP VIEW



HIN203 (PDIP, SOIC)  
TOP VIEW



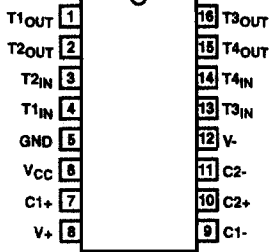
NOTE: Pin numbers in parentheses are for SOIC Package.



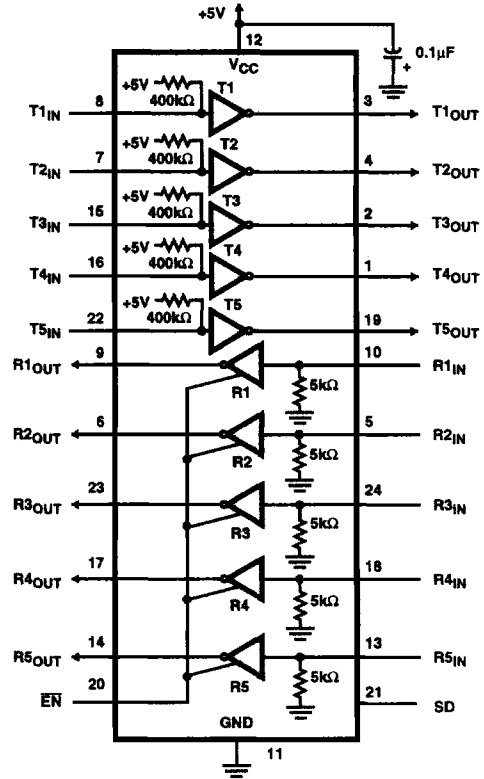
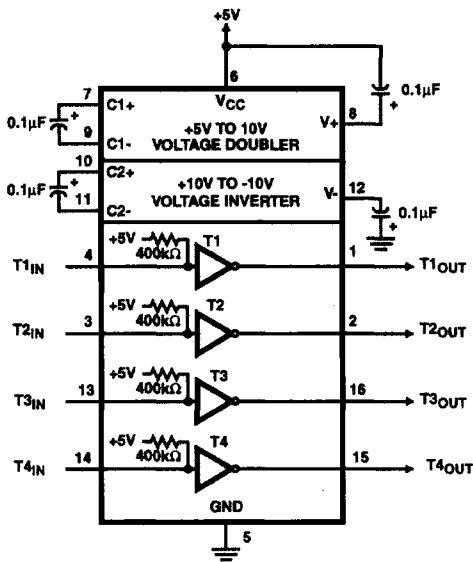
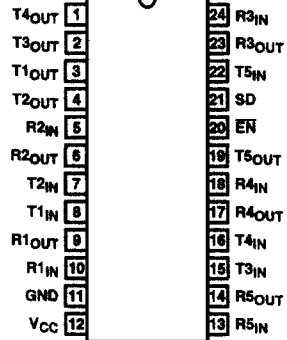
# HIN200 thru HIN213

## Pinouts (Continued)

HIN204 (SOIC)  
TOP VIEW



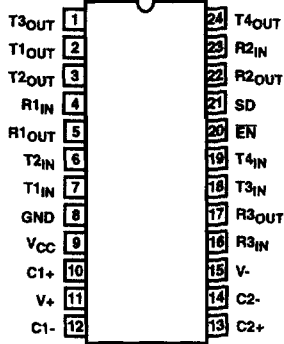
HIN205 (PDIP)  
TOP VIEW



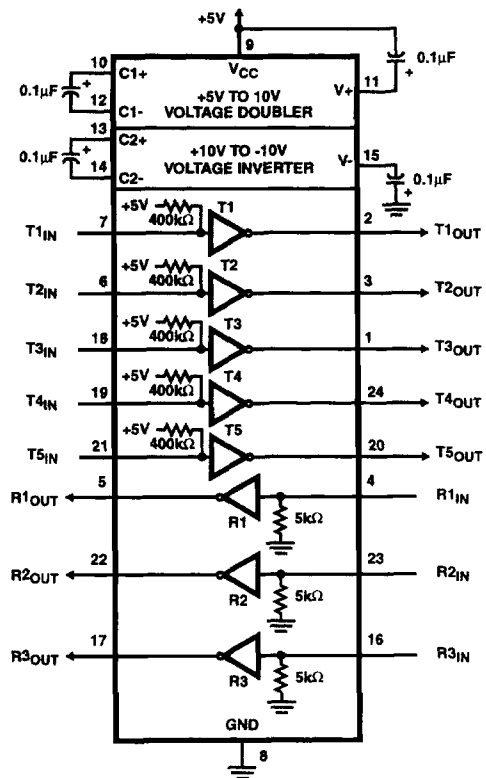
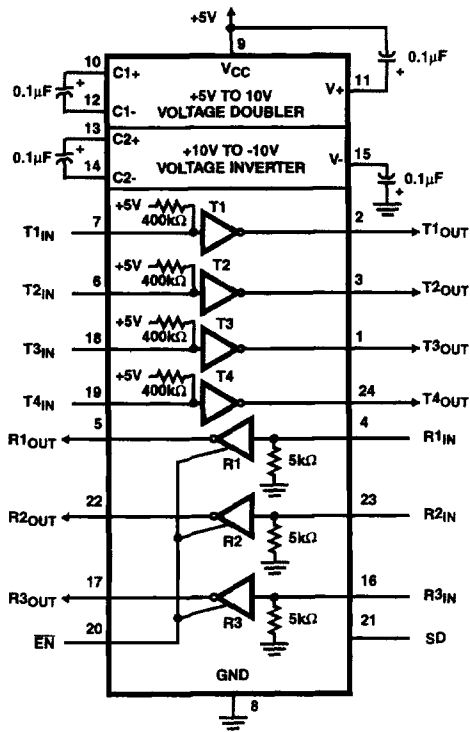
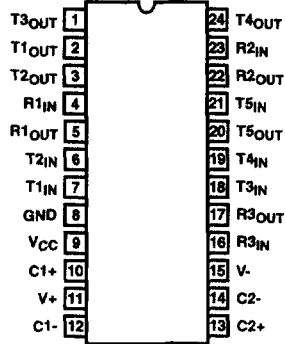
# HIN200 thru HIN213

## Pinouts (Continued)

HIN206 (PDIP, SOIC, SSOP)  
TOP VIEW



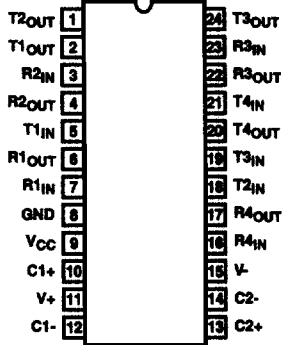
HIN207 (PDIP, SOIC, SSOP)  
TOP VIEW



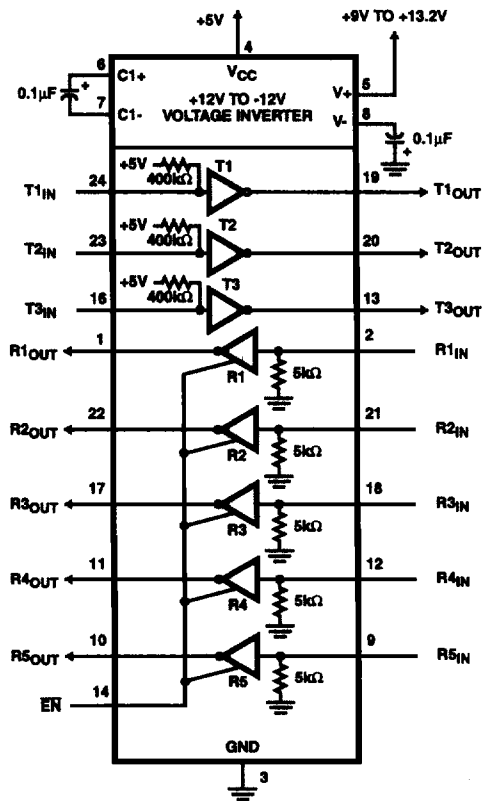
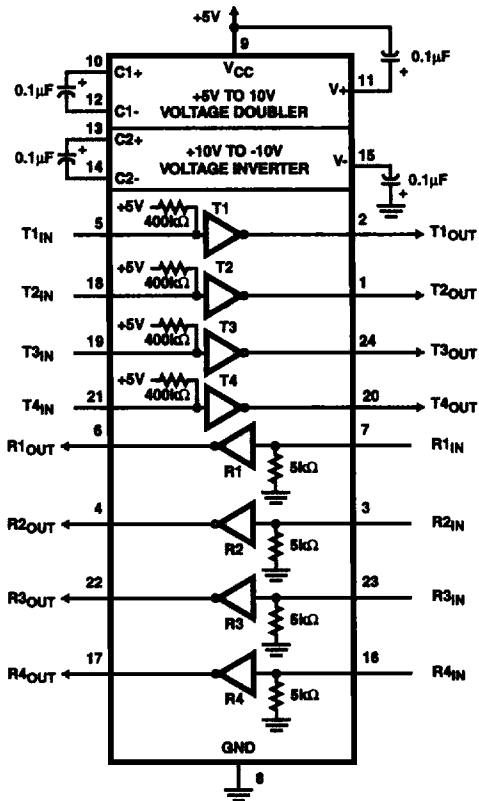
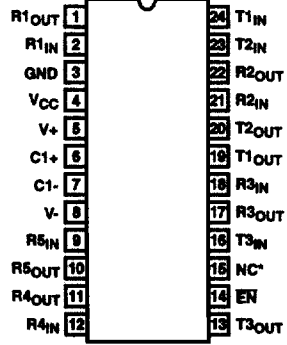
# HIN200 thru HIN213

## Pinouts (Continued)

HIN208 (PDIP, SOIC, SSOP)  
TOP VIEW



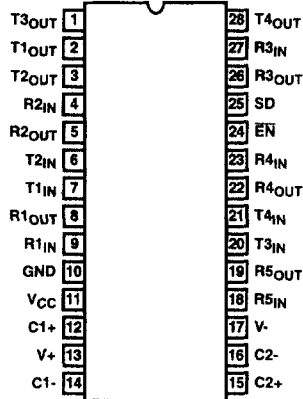
HIN209 (PDIP, SOIC, SSOP)  
TOP VIEW



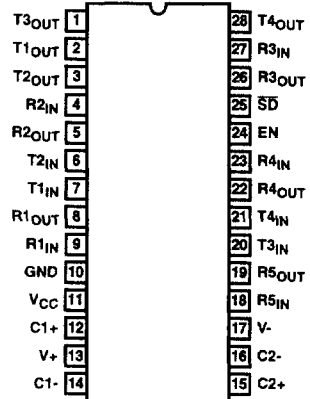
# HIN200 thru HIN213

## Pinouts (Continued)

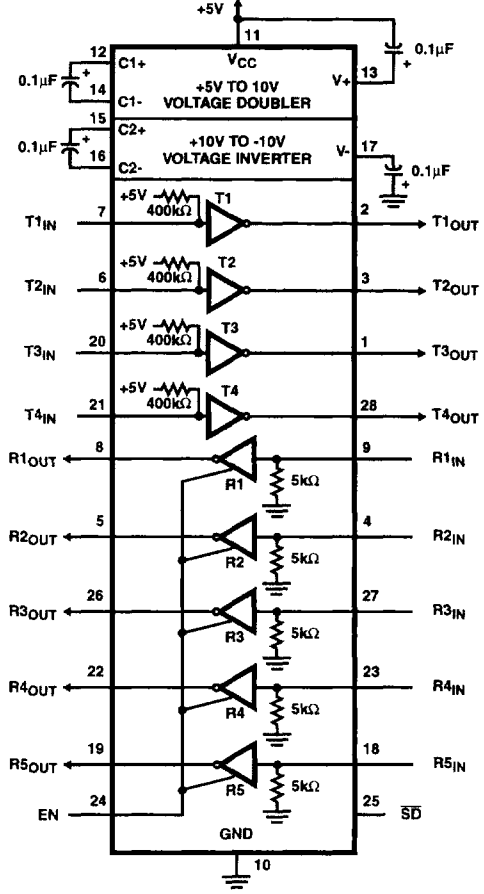
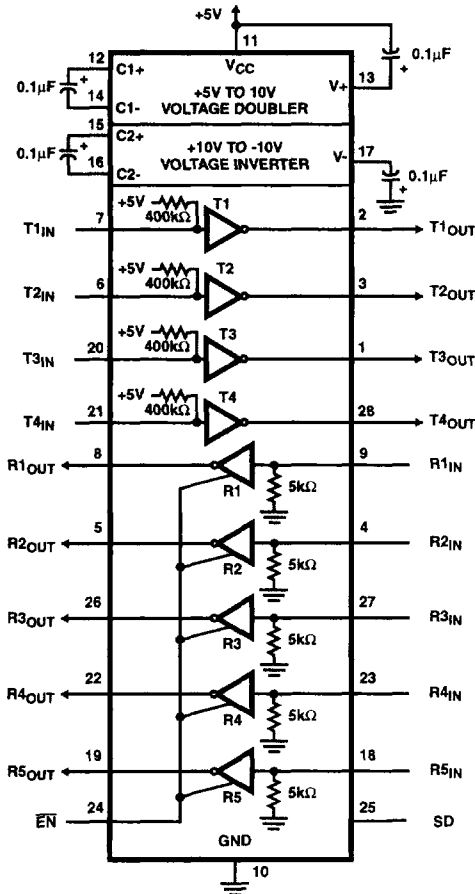
HIN211 (SOIC, SSOP)  
TOP VIEW



HIN213 (SOIC, SSOP)  
TOP VIEW



NOTE: R4 AND R5 ACTIVE IN SHUTDOWN





# HIN200 thru HIN213

## Absolute Maximum Ratings

|                           |  |
|---------------------------|--|
| V <sub>CC</sub> to Ground | (GND -0.3V) < V <sub>CC</sub> < 6V                                   |
| V <sub>+</sub> to Ground  | (V <sub>CC</sub> -0.3V) < V <sub>+</sub> < 12V                       |
| V <sub>-</sub> to Ground  | -12V < V <sub>-</sub> < (GND +0.3V)                                  |
| Input Voltages            |  |
| T <sub>IN</sub>           | (V <sub>-</sub> -0.3V) < V <sub>IN</sub> < (V <sub>+</sub> +0.3V)    |
| R <sub>IN</sub>           | ±30V   |
| Output Voltages           |  |
| T <sub>OUT</sub>          | (V <sub>-</sub> -0.3V) < V <sub>TXOUT</sub> < (V <sub>+</sub> +0.3V) |
| R <sub>OUT</sub>          | (GND -0.3V) < V <sub>RXOUT</sub> < (V <sub>+</sub> +0.3V)            |
| Short Circuit Duration    |  |
| T <sub>OUT</sub>          | Continuous   |
| R <sub>OUT</sub>          | Continuous   |
| ESD Classification        | Class 1  |

## Thermal Information

|  |                        |
|--|------------------------|
| Thermal Resistance (Typical, Note 1)           | θ <sub>JA</sub> (°C/W) |
| 16 Ld SOIC (N) Package                         | 115                    |
| 16 Ld SOIC (W) Package                         | 100                    |
| 16 Ld SSOP Package                             | 155                    |
| 16 Ld PDIP Package                             | 90                     |
| 20 Ld SOIC Package                             | 100                    |
| 24 Ld SOIC Package                             | 75                     |
| 24 Ld SSOP Package                             | 135                    |
| 24 Ld PDIP (N) Package                         | 75                     |
| 24 Ld PDIP (W) Package                         | 60                     |
| 28 Ld SOIC Package                             | 70                     |
| 28 Ld SSOP Package                             | 100                    |
| Maximum Junction Temperature (Plastic Package) | 150°C                  |
| Maximum Storage Temperature Range              | -40°C to 85°C          |
| Maximum Lead Temperature (Soldering 10s)       | 300°C                  |
| (SOIC and SSOP - Lead Tips Only)               |                        |

## Operating Conditions

|                   |               |
|-------------------|---------------|
| Temperature Range |               |
| HIN-XXXXX         | 0°C to 70°C   |
| HIN-XXXIX         | -40°C to 85°C |

CAUTION: Stresses above those listed in "Absolute Maximum Ratings" may cause permanent damage to the device. This is a stress only rating and operation of the device at these or any other conditions above those indicated in the operational sections of this specification is not implied.

### NOTE:

1. θ<sub>JA</sub> is measured with the component mounted on an evaluation PC board in free air.

**Electrical Specifications** Test Conditions: V<sub>CC</sub> = +5V ±10%, (V<sub>CC</sub> = +5V ±5% HIN200, HIN203, HIN205, HIN207); V<sub>+</sub> = 9V to 13.2V, HIN201 and HIN209), C1-C4 = 0.1µF; T<sub>A</sub> = Operating Temperature Range

| PARAMETER  | TEST CONDITIONS                                |                                   | MIN | TYP | MAX | UNITS |
|--|--|-----------------------------------|-----|-----|-----|-------|
| Output Voltage Swing, T <sub>OUT</sub>                 | Transmitter Outputs, 3kΩ to Ground             |                                   | ±5  | ±9  | ±10 | V     |
| Power Supply Current, I <sub>CC</sub>                  | No Load,<br>T <sub>A</sub> = 25°C              | HIN202, HIN203                    | -   | 8   | 15  | mA    |
|  |  | HIN200, HIN204-208,<br>HIN211-213 | -   | 11  | 20  | mA    |
|  |  | HIN201, HIN209                    | -   | 0.4 | 1   | mA    |
| V <sub>+</sub> Power Supply Current, I <sub>CC</sub>   | No Load,<br>T <sub>A</sub> = 25°C              | HIN201                            | -   | 5.0 | 10  | mA    |
|  |  | HIN209                            | -   | 7.0 | 15  | mA    |
| Shutdown Supply Current, I <sub>CC</sub> (SD)          | T <sub>A</sub> = 25°C                          | HIN200, HIN205,<br>HIN206, HIN211 | -   | 1   | 10  | µA    |
|  |  | HIN213                            | -   | 15  | 50  | µA    |
| Input Logic Low, T <sub>IN</sub> , EN, V <sub>IL</sub> | T <sub>IN</sub> , EN, SD, EN, SD               |                                   | -   | -   | 0.8 | V     |
| Input Logic High, V <sub>IH</sub>                      | T <sub>IN</sub>                                |                                   | 2.0 | -   | -   | V     |
|  | EN, SD, EN, SD                                 |                                   | 2.4 | -   | -   | V     |
| Logic Pullup Current, I <sub>p</sub>                   | T <sub>IN</sub> = 0V                           |                                   | -   | 15  | 200 | µA    |
| RS-232 Input Voltage Range, V <sub>IN</sub>            |  |                                   | -30 | -   | +30 | V     |
| Receiver Input Impedance, R <sub>IN</sub>              | T <sub>A</sub> = 25°C, V <sub>IN</sub> = ±3V   |                                   | 3.0 | 5.0 | 7.0 | kΩ    |
| Receiver Input Low Threshold, V <sub>IN</sub> (H-L)    | V <sub>CC</sub> = 5V,<br>T <sub>A</sub> = 25°C | Active Mode                       | 0.8 | 1.2 | -   | V     |
|  |  | Shutdown Mode<br>HIN213 R4 and R5 | 0.6 | 1.5 | -   | V     |

  
**COMMUNICATION  
INTERFACE**

## HIN200 thru HIN213

**Electrical Specifications** Test Conditions:  $V_{CC} = +5V \pm 10\%$ , ( $V_{CC} = +5V \pm 5\%$  HIN200, HIN203, HIN205, HIN207);  $V_+ = 9V$  to 13.2V, HIN201 and HIN209),  $C_1$ - $C_4 = 0.1\mu F$ ;  $T_A =$  Operating Temperature Range (Continued)

| PARAMETER                                       | TEST CONDITIONS  | MIN                                 | TYP      | MAX      | UNITS    |            |
|---|--|-------------------------------------|----------|----------|----------|------------|
| Receiver Input High Threshold, $V_{IN}$ (L-H)   | $V_{CC} = 5V$ ,<br>$T_A = 25^\circ C$<br>Active Mode   | -                                   | 1.7      | 2.4      | V        |            |
|   | Shutdown Mode<br>HIN213 R4 and R5  | -                                   | 1.5      | 2.4      | V        |            |
| Receiver Input Hysteresis, $V_{HYST}$           | $V_{CC} = 5V$<br>No Hysteresis in Shutdown Mode  | 0.2                                 | 0.5      | 1.0      | V        |            |
| TTL/CMOS Receiver Output Voltage Low, $V_{OL}$  | $I_{OUT} = 1.6mA$<br>(HIN201-HIN203, $I_{OUT} = 3.2mA$ )   | -                                   | 0.1      | 0.4      | V        |            |
| TTL/CMOS Receiver Output Voltage High, $V_{OH}$ | $I_{OUT} = -1mA$   | 3.5                                 | 4.6      | -        | V        |            |
| Output Enable Time, $t_{EN}$                    | HIN205, HIN206, HIN209, HIN211, HIN213   | -                                   | 400      | -        | ns       |            |
| Output Disable Time, $t_{DIS}$                  | HIN205, HIN206, HIN209, HIN211, HIN213   | -                                   | 200      | -        | ns       |            |
| Transmit, Receive Propagation Delay, $t_{PD}$   | HIN213 $\overline{SD} = 0V$ , R4, R5   | -                                   | 0.5      | 40       | $\mu s$  |            |
|   | HIN213 $\overline{SD} = V_{CC}$ , R1 - R5  | -                                   | 0.5      | 10       | $\mu s$  |            |
|   | HIN200 - HIN211  | -                                   | 0.5      | 10       | $\mu s$  |            |
| Transmit Transition Region Slew Rate, $SR_T$    | $R_L = 3k\Omega$ ,<br>$C_L = 2500pF$<br>Measured from<br>+3V to -3V or<br>-3V to +3V<br>(Note 1) | HIN200, HIN204 to<br>HIN211, HIN213 | 3        | -        | 30       | V/ $\mu s$ |
|   |  | HIN201, HIN202,<br>HIN203           | 3        | -        | 30       | V/ $\mu s$ |
| Output Resistance, $R_{OUT}$                    | $V_{CC} = V_+ = V_- = 0V$ , $V_{OUT} = \pm 2V$   | 300                                 | -        | -        | $\Omega$ |            |
| RS-232 Output Short Circuit Current, $I_{SC}$   | $T_{OUT}$ Shorted to GND   | -                                   | $\pm 10$ | -        | mA       |            |
| TTL/CMOS Receiver Output Leakage                | $\overline{EN} = V_{CC}$ , $EN = 0$ , $0V < R_{OUT} < V_{CC}$                                    | -                                   | 0.05     | $\pm 10$ | $\mu A$  |            |

NOTE:

- Guaranteed by design.

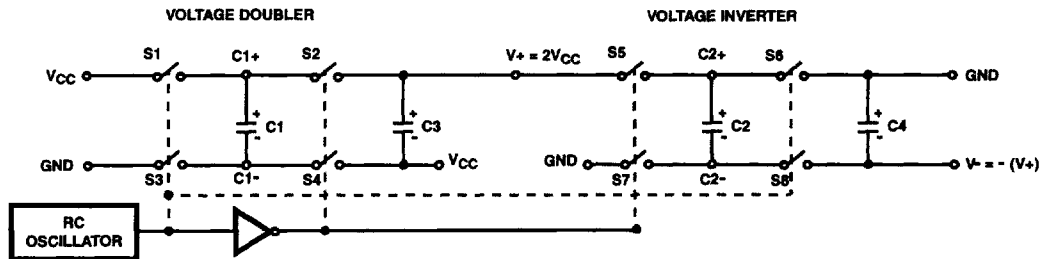


FIGURE 1. CHARGE PUMP

**Detailed Description**

The HIN200 thru HIN213 family of RS-232 transmitters/receivers are powered by a single +5V power supply (except HIN201 and HIN209), feature low power consumption, and meet all EIA RS232C and V.28 specifications. The circuit is divided into three sections: the charge pump, transmitter, and receiver.

**Charge Pump**

An equivalent circuit of the charge pump is illustrated in Figure 1. The charge pump contains two sections: the voltage doubler and the voltage inverter. Each section is driven by a two phase, internally generated clock to generate +10V and -10V. The nominal clock frequency is 125kHz. During phase one of the clock, capacitor C1 is charged to  $V_{CC}$ . During phase two, the voltage on C1 is added to  $V_{CC}$ , producing a signal across C3 equal to twice  $V_{CC}$ . During phase two, C2 is also charged to  $2V_{CC}$ , and then during phase one, it is inverted with respect to ground to produce a signal across C4 equal to  $-2V_{CC}$ . The charge pump accepts input voltages up to 5.5V. The output impedance of the voltage doubler section (V+) is approximately 200Ω, and the output impedance of the voltage inverter section (V-) is approximately 450Ω. A typical application uses 0.1μF capacitors for C1-C4, however, the value is not critical. Increasing the values of C1 and C2 will lower the output impedance of the voltage doubler and inverter, increasing the values of the reservoir capacitors, C3 and C4, lowers the ripple on the V+ and V- supplies.

During shutdown mode (HIN200, HIN206 and HIN211,  $SD = V_{CC}$ , HIN213,  $SD = 0V$ ) the charge pump is turned off, V+ is pulled down to  $V_{CC}$ , V- is pulled up to GND, and the supply current is reduced to less than 10μA. The transmitter outputs are disabled and the receiver outputs (except for HIN213, R4 and R5) are placed in the high impedance state.

**Transmitters**

The transmitters are TTL/CMOS compatible inverters which translate the inputs to RS-232 outputs. The input logic threshold is about 26% of  $V_{CC}$ , or 1.3V for  $V_{CC} = 5V$ . A logic 1 at the input results in a voltage of between -5V and V- at the output, and a logic 0 results in a voltage between +5V and (V+ - 0.6V). Each transmitter input has an internal 400kΩ pullup resistor so any unused input can be left unconnected and its output remains in its low state. The output voltage swing meets the RS-232C specifications of ±5V minimum with the worst case conditions of: all transmitters driving 3kΩ minimum load impedance,  $V_{CC} = 4.5V$ , and maximum allowable operating temperature. The transmitters have an internally limited output slew rate which is less than 30V/μs. The outputs are short circuit protected and can be shorted to ground indefinitely. The powered down output impedance is a minimum of 300Ω with ±2V applied to the outputs and  $V_{CC} = 0V$ .

**Receivers**

The receiver inputs accept up to ±30V while presenting the required 3kΩ to 7kΩ input impedance even if the power is off ( $V_{CC} = 0V$ ). The receivers have a typical input threshold of 1.3V which is within the ±3V limits, known as the transition region, of the RS-232 specifications. The receiver output is

0V to  $V_{CC}$ . The output will be low whenever the input is greater than 2.4V and high whenever the input is floating or driven between +0.8V and -30V. The receivers feature 0.5V hysteresis (except during shutdown) to improve noise rejection. The receiver Enable line ( $\overline{EN}$ , on HIN206, HIN209, and HIN211, EN on HIN213) when unasserted, disables the receiver outputs, placing them in the high impedance mode. The receiver outputs are also placed in the high impedance state when in shutdown mode (except HIN213 R4 and R5).

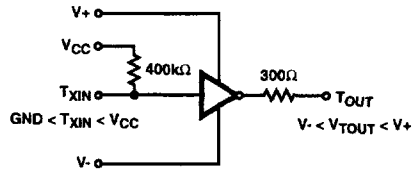


FIGURE 2. TRANSMITTER

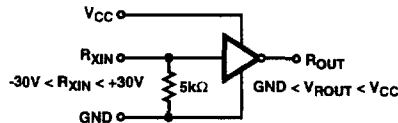
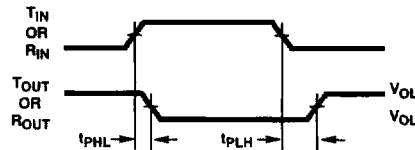


FIGURE 3. RECEIVER



$$\text{AVERAGE PROPAGATION DELAY} = \frac{t_{PHL} + t_{PLH}}{2}$$

FIGURE 4. PROPAGATION DELAY DEFINITION

**HIN213 Operation in Shutdown**

The HIN213 features two receivers, R4 and R5, which remain active in shutdown mode. During normal operation the receivers propagation delay is typically 0.5μs. This propagation delay may increase slightly during shutdown. When entering shut down mode, receivers R4 and R5 are not valid for 80μs after  $SD = V_{IL}$ . When exiting shutdown mode, all receiver outputs will be invalid until the charge pump circuitry reaches normal operating voltage. This is typically less than 2ms when using 0.1μF capacitors.

Typical Performance Curves

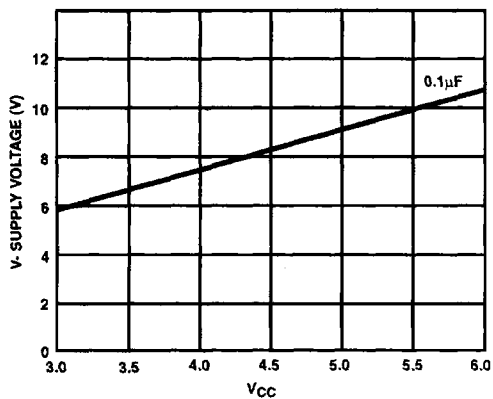


FIGURE 5. V- SUPPLY VOLTAGE vs VCC

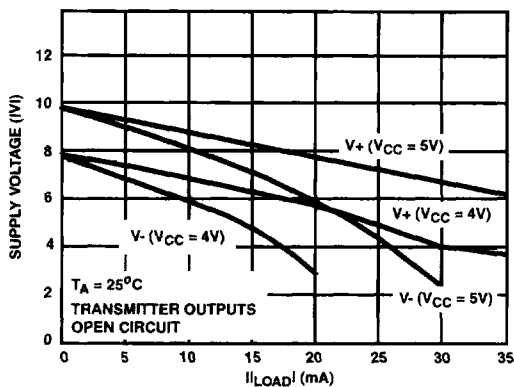


FIGURE 6. V+, V- OUTPUT VOLTAGE vs LOAD

Test Circuits (HIN202)

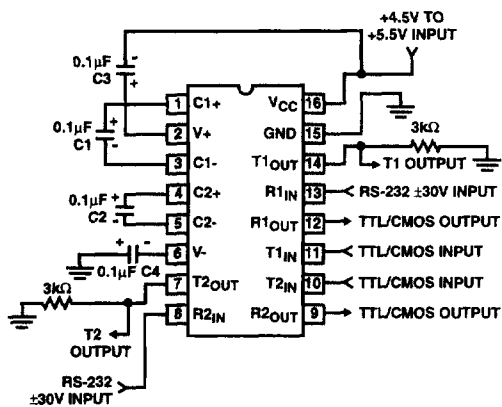


FIGURE 7. GENERAL TEST CIRCUIT

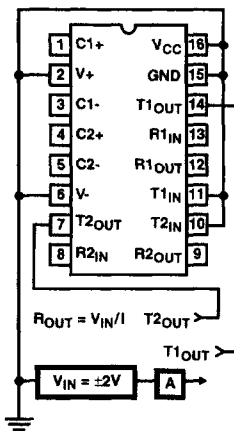


FIGURE 8. POWER-OFF SOURCE RESISTANCE CONFIGURATION

**Application Information**

The HINXXX may be used for all RS-232 data terminal and communication links. It is particularly useful in applications where  $\pm 12V$  power supplies are not available for conventional RS-232 interface circuits. The applications presented represent typical interface configurations.

A simple duplex RS-232 port with CTS/RTS handshaking is illustrated in Figure 9. Fixed output signals such as DTR (data terminal ready) and DSRs (data signaling rate select) is generated by driving them through a  $5k\Omega$  resistor connected to  $V_+$ .

In applications requiring four RS-232 inputs and outputs (Figure 10), note that each circuit requires two charge pump capacitors (C1 and C2) but can share common reservoir capacitors (C3 and C4). The benefit of sharing common reservoir capacitors is the elimination of two capacitors and the reduction of the charge pump source impedance which effectively increases the output swing of the transmitters.

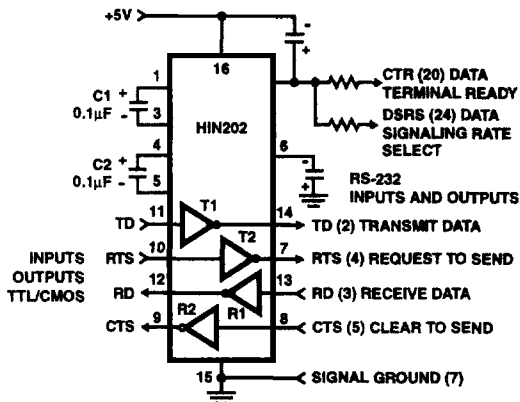


FIGURE 9. SIMPLE DUPLEX RS-232 PORT WITH CTS/RTS HANDSHAKING

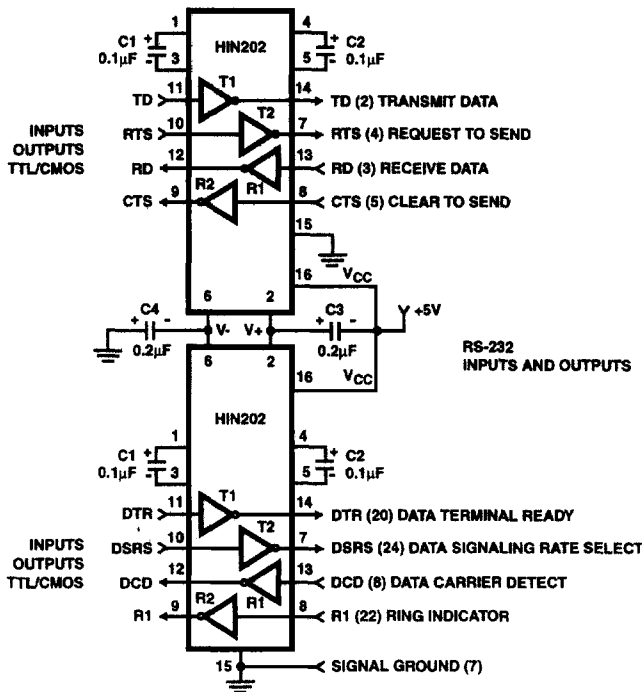


FIGURE 10. COMBINING TWO HIN202s FOR 4 PAIRS OF RS-232 INPUTS AND OUTPUTS

# HIN200 thru HIN213

## Die Characteristics

### DIE DIMENSIONS:

160 mils x 140 mils

### METALLIZATION:

Type: Al

Thickness:  $10\text{k}\text{\AA} \pm 1\text{k}\text{\AA}$

### SUBSTRATE POTENTIAL

V+

### PASSIVATION:

Type: Nitride over Silox

Nitride Thickness:  $8\text{k}\text{\AA}$

Silox Thickness:  $7\text{k}\text{\AA}$

### TRANSISTOR COUNT:

238

### PROCESS:

CMOS Metal Gate

## Metallization Mask Layout

