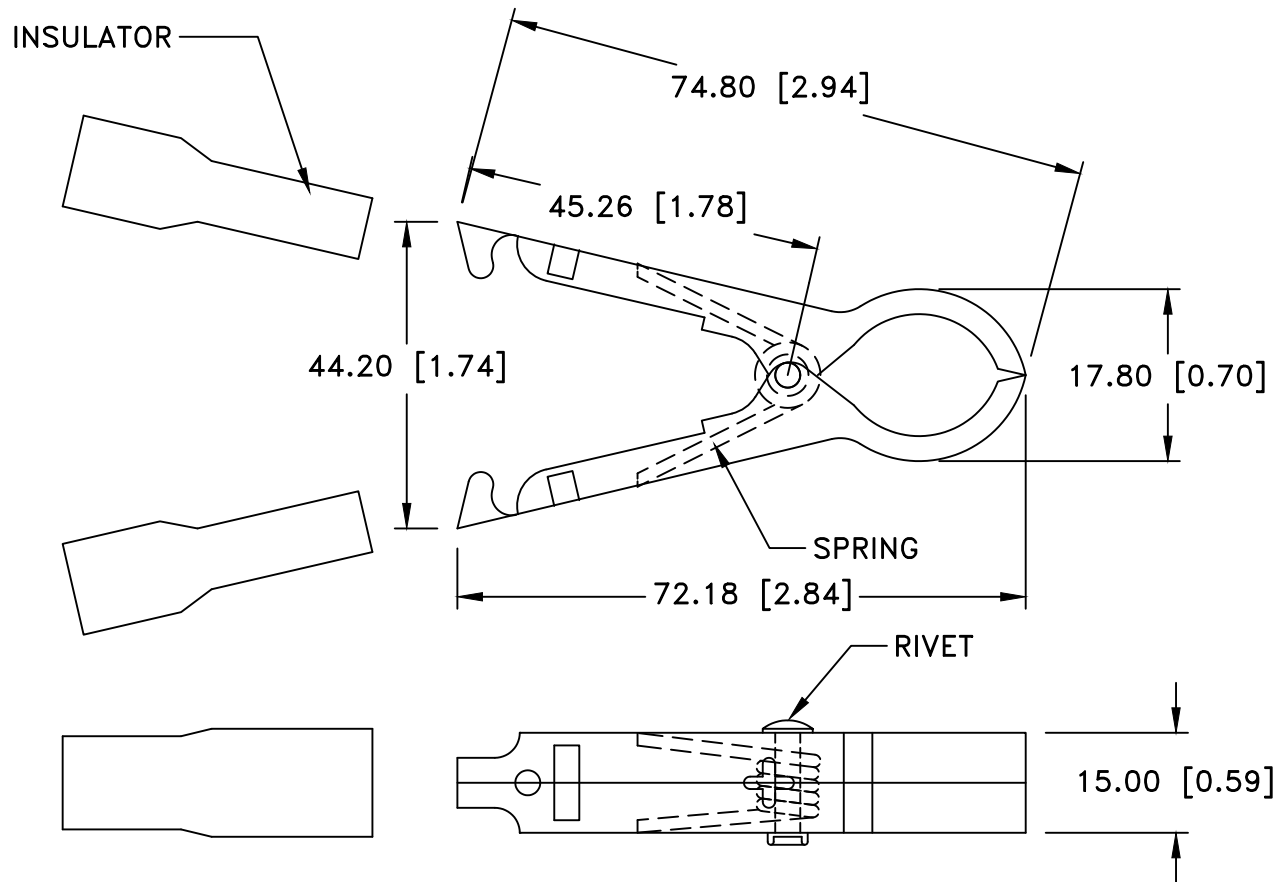



Date	SYM	REVISION RECORD	AUTH	DR.	CK.
6/24/06	A	ADDED "ROHS COMPLIANT"	T.B.	B.S.	
8/14/18	B	DIM. 74.80 WAS 74.67 DIM. 17.80 WAS 17.78 DIM. 44.20 WAS 43.94 DIM. 15.00 WAS 11.68	T.B.	B.S.	



NOTES:

MATERIAL:

INSULATOR: PVC, RED
 CLIP: STEEL, NICKEL PLATED
 SPRING: STEEL, ZINC PLATED
 RIVET: STEEL, NICKEL PLATED
 ROHS 2 COMPLIANT

Tolerance (Except as noted)	 Memory Protection Devices, Inc 200 Broad Hollow Road, Farmingdale, New York 11735		
decimal ±.5 (.020)		Scale	Drawn By B.S.
			Approved By T.B.
Fractional ± .8 (.030)	Title INSULATED BATTERY CLIP		
Angular ± 3°	Date 6/24/06	Drawing Number ZB3010-A	